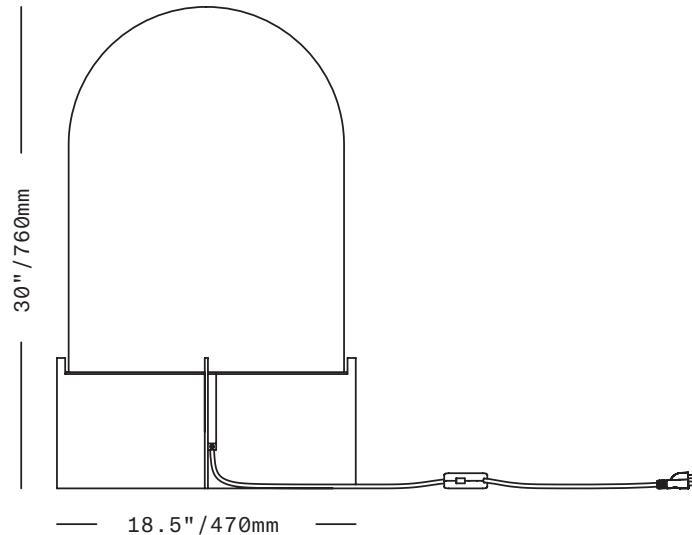


SkLO

Dome

LIGHT



A large dome of handblown Czech glass with a frosted finish rests atop a custom base made of vertical solid brass plates. A brass ring fits onto the base as a seat for the glass dome. Imposing in size, it can work on large furniture, or the floor, depending on the decor. While large, the softness of the frosted glass and minimal presence of the base make it approachable and compelling.

UL listed suitable for dry locations only (US & Canada)

Socket 120V E26 60W Max

LED bulb included

72"/1800mm black fabric-wrapped cord with in-line switch

All glass dimensions are approximate – handblown glass dimensions vary by nature and intent

Made in the Czech Republic

LT337 [---][--]

Dome Light

Glass colors

- Clear Frosted [FCL]
- Olivin Frosted [FOL]
- Smoke Frosted [FSM]
- White Frosted [FWT]

Metal finishes

- Dark Oxidized [DX]
- Brushed Brass [BB]
- Brushed Nickel [BN]
- Polished Nickel [PN]



twentieth

sales@twentieth.net

323.904.1200

www.twentieth.net