

OKHA

ZEPPELIN MODULE A Sofas

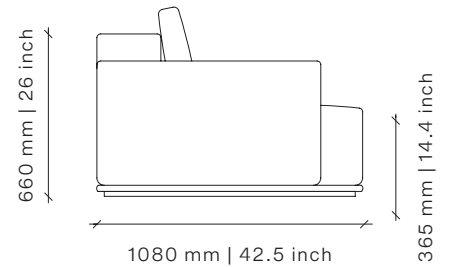
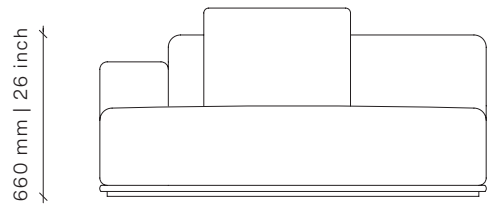
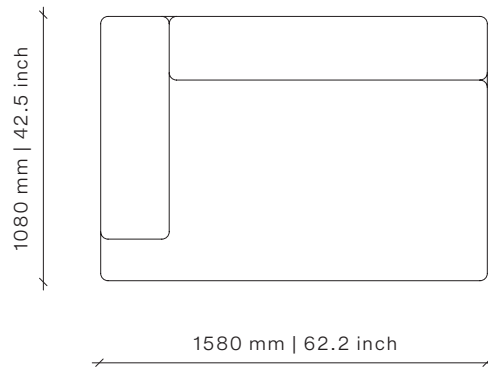
DESIGNED BY OKHA

twentieth

sales@twentieth.net

323.904.1200

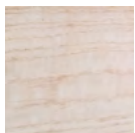
www.twentieth.net



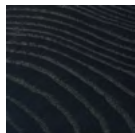
Plinth



Natural Ash



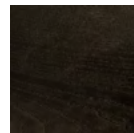
Chalked Ash



Carbon Ash



Dark Java Ash



Mocca Ash

Plinth Ash

Upholstery Fabric

Dimensions (mm)

1580W x 1080D x 660H

Seat Height: 365 mm

Dimensions (inches)

62.2W X 42.5D X 26H

Seat Height: 14.4 in

COM 10m / 10.9yd

COL 16.8m² / 180sq ft

Different textures, grains, colouration and densities are all natural characteristics of timbers. We find these variances an inherent and valuable part of the natural beauty of wood, no two pieces are the same making each OKHA design a unique, characterful piece and each product will be different from the next. Timber movement will also occur as this is a natural product.

STONE: Marble is a beautiful natural material with inherent imperfections in its structure, veining and coloration. As such, some slabs may be reinforced with meshing on the underside and may have colour matched resin fills in minor cracks and surface blemishes. Please note that this is standard practice.

METAL: All metals will go through a process of natural aging and oxidization due to environmental conditions. The result of this aging process will bring about colour change, to slow and reduce this natural process, appropriate cleaning and maintenance products can be used.

twentieth

sales@twentieth.net

323.904.1200

www.twentieth.net

OKHA

twentieth

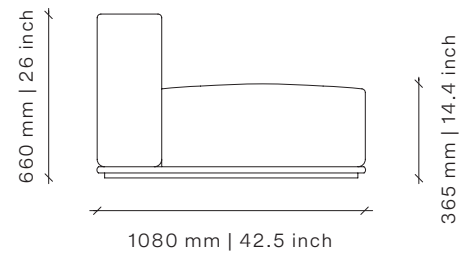
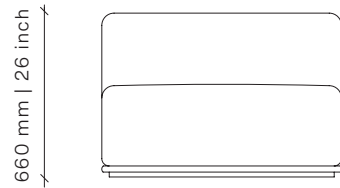
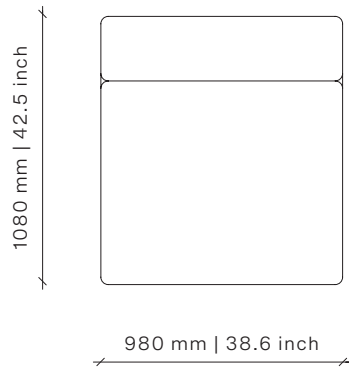
sales@twentieth.net

323.904.1200

www.twentieth.net

ZEPPELIN MODULE B Sofas

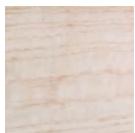
DESIGNED BY OKHA



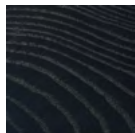
Plinth



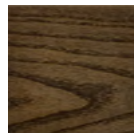
Natural Ash



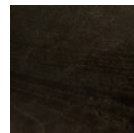
Chalked Ash



Carbon Ash



Dark Java Ash



Mocca Ash

Plinth Ash

Upholstery Fabric

Dimensions (mm)

980W x 1080D x 660H

Seat Height: 365 mm

Dimensions (inches)

38.6W X 42.5D X 26H

Seat Height: 14.4 in

COM 8m / 8.7yd

COL 13.5m² / 145.31sq ft

Different textures, grains, colouration and densities are all natural characteristics of timbers. We find these variances an inherent and valuable part of the natural beauty of wood, no two pieces are the same making each OKHA design a unique, characterful piece and each product will be different from the next. Timber movement will also occur as this is a natural product.

STONE: Marble is a beautiful natural material with inherent imperfections in its structure, veining and coloration. As such, some slabs may be reinforced with meshing on the underside and may have colour matched resin fills in minor cracks and surface blemishes. Please note that this is standard practice.

METAL: All metals will go through a process of natural aging and oxidization due to environmental conditions. The result of this aging process will bring about colour change, to slow and reduce this natural process, appropriate cleaning and maintenance products can be used.

twentieth

sales@twentieth.net

323.904.1200

www.twentieth.net

OKHA

ZEPPELIN MODULE C Sofas

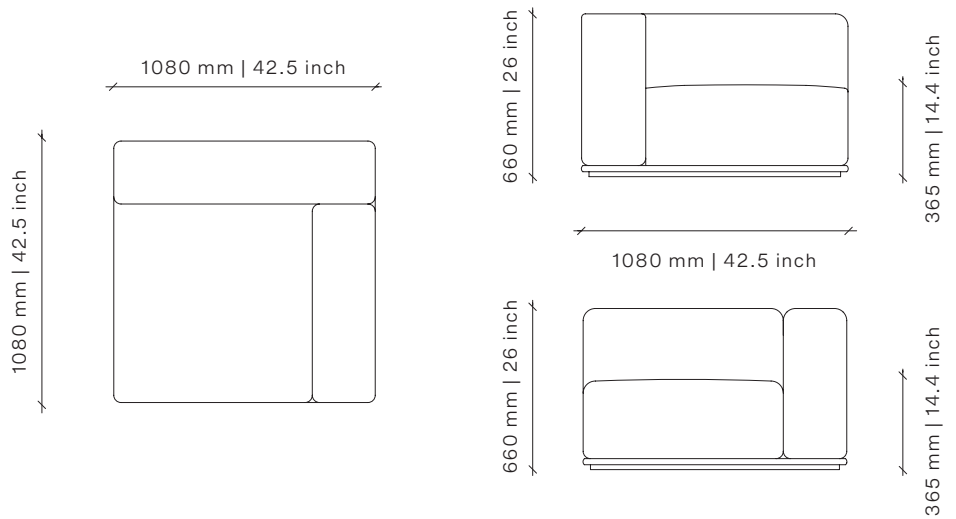
DESIGNED BY OKHA

twentieth

sales@twentieth.net

323.904.1200

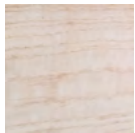
www.twentieth.net



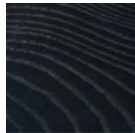
Plinth



Natural Ash



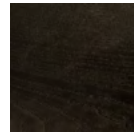
Chalked Ash



Carbon Ash



Dark Java Ash



Mocca Ash

Plinth Ash

Upholstery Fabric

Dimensions (mm)

1080W x 1080D x 660H

Seat Height: 365 mm

Dimensions (inches)

42.5W X 42.5D X 26H

Seat Height: 14.4 in

COM 7m / 7.65yd

COL 11.8m² / 127sq ft

Different textures, grains, colouration and densities are all natural characteristics of timbers. We find these variances an inherent and valuable part of the natural beauty of wood, no two pieces are the same making each OKHA design a unique, characterful piece and each product will be different from the next. Timber movement will also occur as this is a natural product.

STONE: Marble is a beautiful natural material with inherent imperfections in its structure, veining and coloration. As such, some slabs may be reinforced with meshing on the underside and may have colour matched resin fills in minor cracks and surface blemishes. Please note that this is standard practice.

METAL: All metals will go through a process of natural aging and oxidation due to environmental conditions. The result of this aging process will bring about colour change, to slow and reduce this natural process, appropriate cleaning and maintenance products can be used.

twentieth

sales@twentieth.net

323.904.1200

www.twentieth.net

OKHA

ZEPPELIN MODULE D Sofas

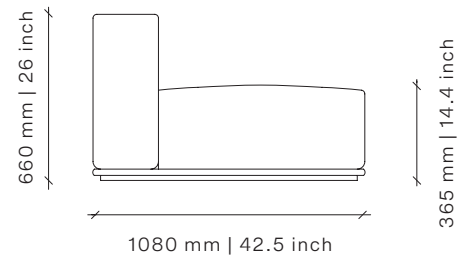
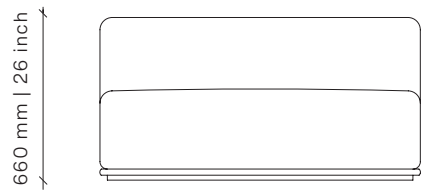
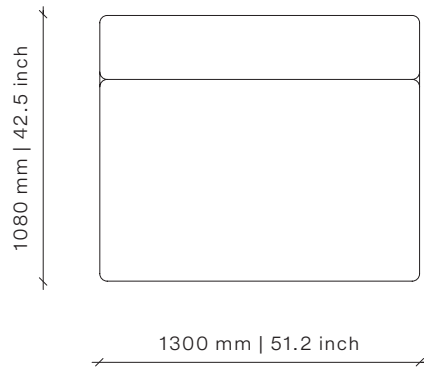
DESIGNED BY OKHA

twentieth

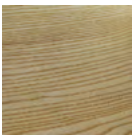
sales@twentieth.net

323.904.1200

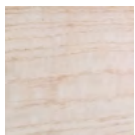
www.twentieth.net



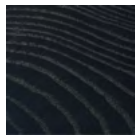
Plinth



Natural Ash



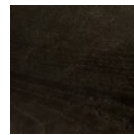
Chalked Ash



Carbon Ash



Dark Java Ash



Mocca Ash

Plinth Ash

Upholstery Fabric

Dimensions (mm)

1300W x 1080D x 660H

Seat Height: 365 mm

Dimensions (inches)

51.2W X 42.5D X 26H

Seat Height: 14.4 in

COM 6m / 6.5yd

COL 10m² / 107.6sq ft

Different textures, grains, colouration and densities are all natural characteristics of timbers. We find these variances an inherent and valuable part of the natural beauty of wood, no two pieces are the same making each OKHA design a unique, characterful piece and each product will be different from the next. Timber movement will also occur as this is a natural product.

STONE: Marble is a beautiful natural material with inherent imperfections in its structure, veining and coloration. As such, some slabs may be reinforced with meshing on the underside and may have colour matched resin fills in minor cracks and surface blemishes. Please note that this is standard practice.

METAL: All metals will go through a process of natural aging and oxidization due to environmental conditions. The result of this aging process will bring about colour change, to slow and reduce this natural process, appropriate cleaning and maintenance products can be used.

twentieth

sales@twentieth.net

323.904.1200

www.twentieth.net

OKHA

ZEPPELIN MODULE E Sofas

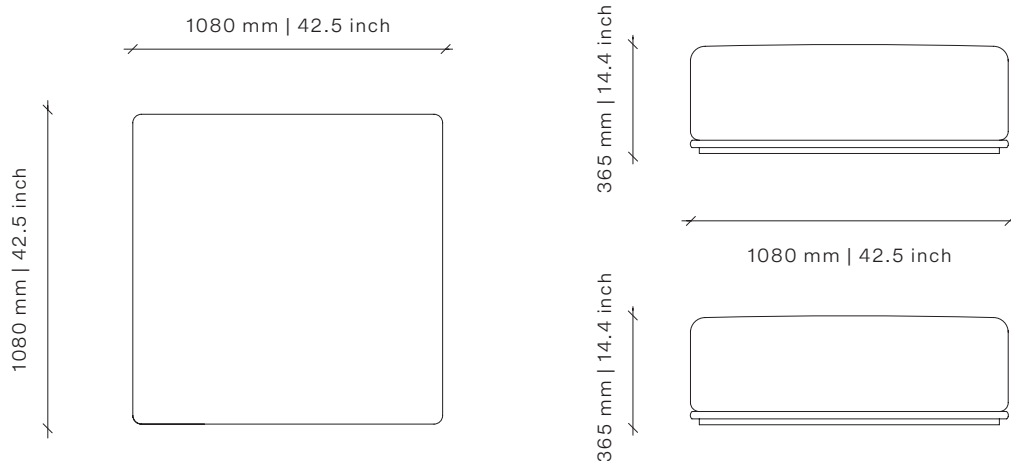
DESIGNED BY OKHA

twentieth

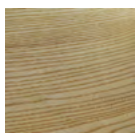
sales@twentieth.net

323.904.1200

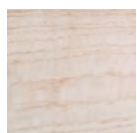
www.twentieth.net



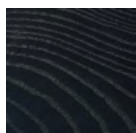
Plinth



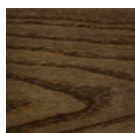
Natural Ash



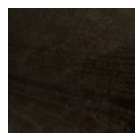
Chalked Ash



Carbon Ash



Dark Java Ash



Mocca Ash

Plinth Ash

Upholstery Fabric

Dimensions (mm)

1080W x 1080D x 365H

Seat Height: 365 mm

Dimensions (inches)

42.5W X 42.5D X 14.4H

Seat Height: 14.4 in

COM 3m / 3.2yd

COL 5.5m² / 59.2sq ft

Different textures, grains, colouration and densities are all natural characteristics of timbers. We find these variances an inherent and valuable part of the natural beauty of wood, no two pieces are the same making each OKHA design a unique, characterful piece and each product will be different from the next. Timber movement will also occur as this is a natural product.

STONE: Marble is a beautiful natural material with inherent imperfections in its structure, veining and coloration. As such, some slabs may be reinforced with meshing on the underside and may have colour matched resin fills in minor cracks and surface blemishes. Please note that this is standard practice.

METAL: All metals will go through a process of natural aging and oxidization due to environmental conditions. The result of this aging process will bring about colour change, to slow and reduce this natural process, appropriate cleaning and maintenance products can be used.

twentieth

sales@twentieth.net

323.904.1200

www.twentieth.net