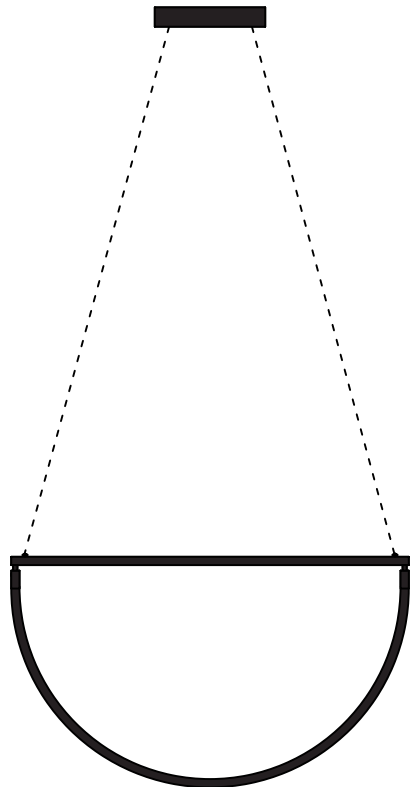


**AlexAllen**  
Studio

## Chord Collection

Installation and Product Guide  
(30", 36", 40", 48", and Convoy)



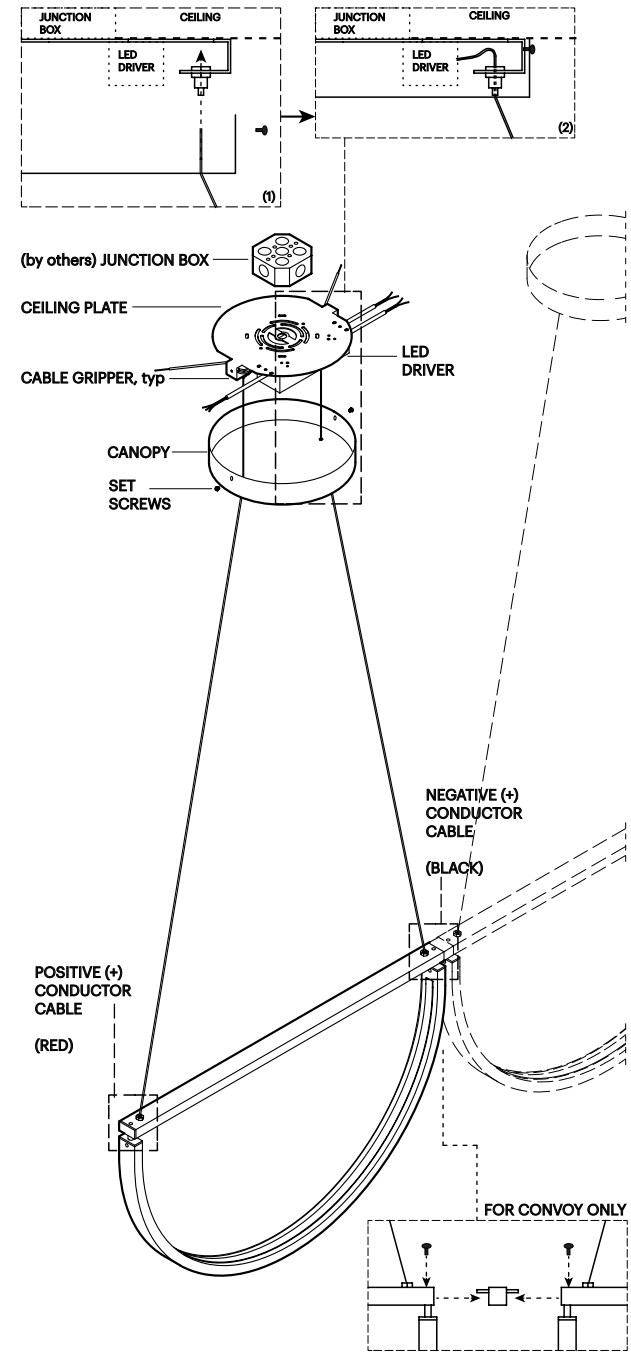
**CAUTION:** Electric shock risk. Turn off electrical power at breaker before beginning installation. We recommend this product be installed by a qualified electrician only.

### Installation Instructions

- (1) Attach **ceiling plate** to ceiling **junction box** with junction box screws.
  - (2) Feed the two **conductive suspension cables** through the holes in the bottom of the **canopy** and into the cable grippers in the **ceiling plate**.
  - (3) Continue feeding suspension cables through the cable grippers until the light is at the desired height and is level.
  - (4) slide the red/black cable insulation along the excess powered cable until it abuts the tops of the cable grippers (ensure that no metal cable is touching the metal interior of the canopy/ceiling plate). Trim conductive cables to the appropriate length.
  - (5) connect the red (+) conductive suspension cable to the white (+) output cable on the LED driver. connect the black (-) suspension cable to the black (-) driver output. Connect the driver input cables to the line voltage input.
  - (6) Slide the canopy up the suspension cables to the ceiling and secure it using the two set screws.
- (For Convoy Model Only)**  
Align and install additional chord units according to the same instructions, leaving an additional 1/2" between to accommodate the metal connector. Slide convoy connector into the ends of both chords and secure using provided screws.

twentieth

sales@twentieth.net  
323.904.1200  
www.twentieth.net



## Dimmer Compatability

### Lutron

DVCL-152P-WH  
DVELV-303P  
HQRD-6A  
HQRD-6NA  
MRF2-6ELV-120-WH  
NTELV-600-WH  
NVELV-600-WH  
SELV-600-WH  
MRF2-6ELV-120-WH  
VTELV-600 XXX  
NTELV-300  
MAELV-600  
MSCELV-600M  
MIRELV-600  
MRF2-6ELV-120

### Leviton

Model 6615  
Model 6672  
Model 6674/IPL06  
Model IPE04  
Model IPI06  
Model VP106  
Model VPE04  
Model VPM06  
Model VRE04  
Model VRM10

### Skylark

CTELV-303P  
SELV-300P

### Crestron

CLS-C6  
CLS-C6M  
CLS-C6EX  
CLS-C6MEX  
CLS-C6MRF  
CLS-C6RF  
CLS-EXP-DIM  
CLS-EXP-DIMU  
CLX-1DIM4  
CLX-1DIM8  
CLX-2DIM2  
CLX-2DIM8  
CLX-1DELV4  
DIN-1DIM4  
DIN-1DIMU4  
  
CLW-DIMEX-E  
CLW-DIMEX-P  
CLW-DIMSWEX-E  
CLW-DIMSWEX-P  
P-DIMEX  
GLX-DIM6  
GLXX-2DIM8  
CLW-DELVEX-E  
CLW-DELVEX-P