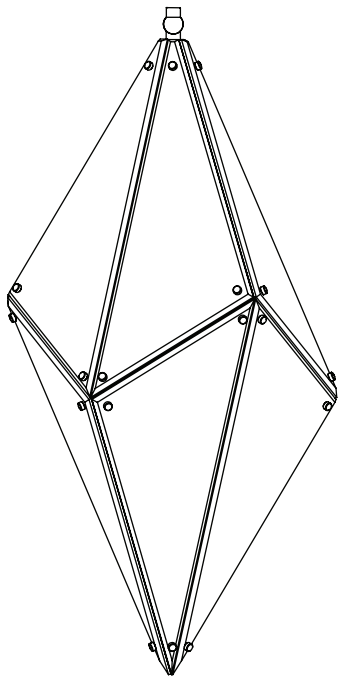


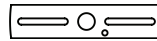
Roll & Hill

CONTENTS

Maxhedron
Vertical 24in, 30in, 42in



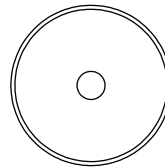
Crossbar 1/8 IPS



8-32 Screws (2)



Canopy



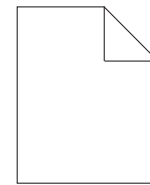
Transformer



Cover Tube / Threaded Rod
& Hangstraight



Cleaning Cloth



Suction Cup



Extra LED Bulbs (2)



Threaded 1/8 IPS Nipple



Wago Connector (4)



Hangstraight



SAFETY INFORMATION

Only one light bulb per socket.

Only suitable for direct mounting on non-combustible surfaces.

Under no circumstances can Maxhedron be mounted on normally flammable surfaces.

Suitable for dry, indoor use only.

Maximum ambient temperatures: 25° C

Roll & Hill

MAXHEDRON | CEILING INSTALLATION

Stem and cover tube length adjustment

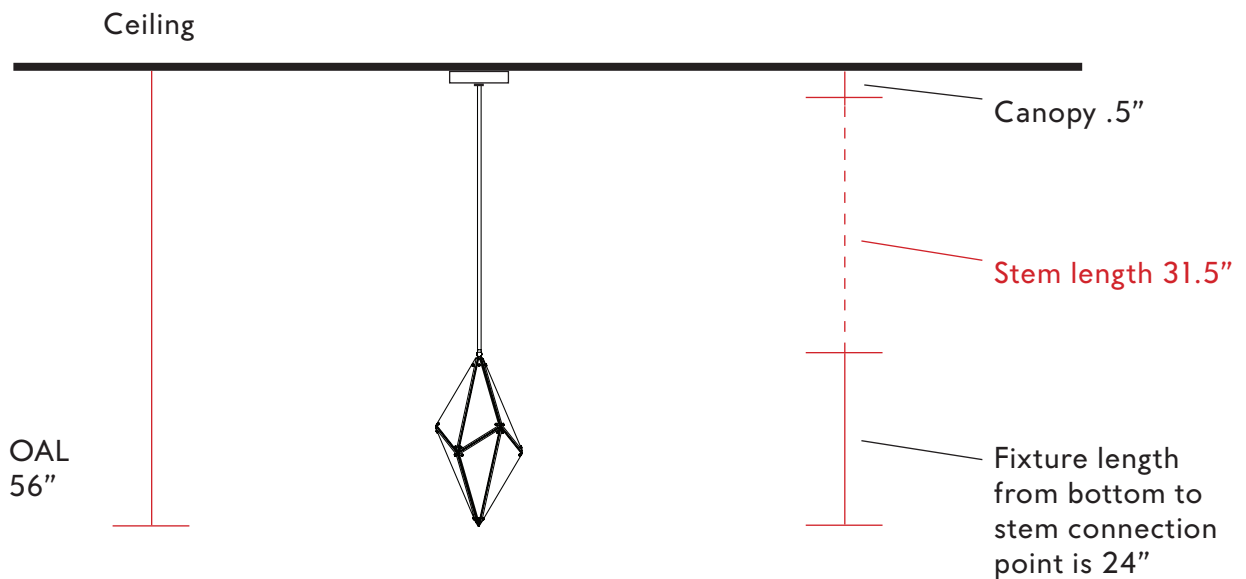
Note: Please contact a licensed electrician.

Example fixture only:

To measure length of stem, first determine overall length (OAL), subtract 3" for the canopy with hang-straight height and subtract the fixture height from the OAL. Fixture height is measured from bottom of the fixture to stem connection point. The resulting measurement is the final stem length.

Ex. The fixture below has an OAL of 56" and a fixture height of 24".

$$56'' \text{ OAL} - .5'' \text{ canopy} - 24'' \text{ fixture height} = 31.5'' \text{ stem}$$



Roll & Hill

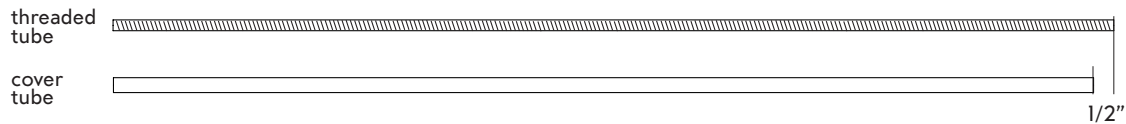
MAXHEDRON | CEILING INSTALLATION

Stem and cover tube length adjustment

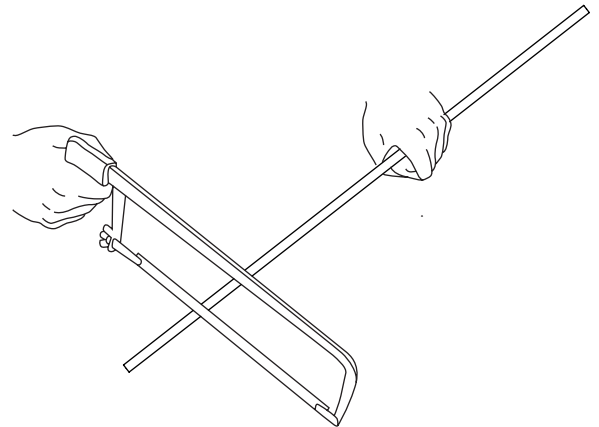
Note: Please contact a licensed electrician.

Example fixture only:

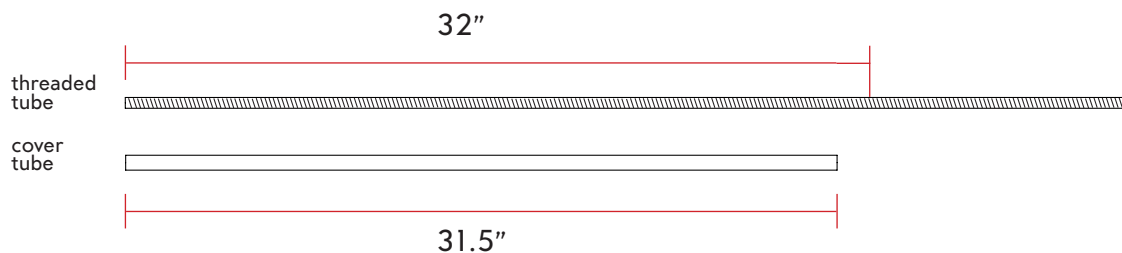
1. To customize the length of the provided stem, cut cover tube to desired length. Then cut the inner threaded tube so that it remains 1/2" longer than the cover tube.



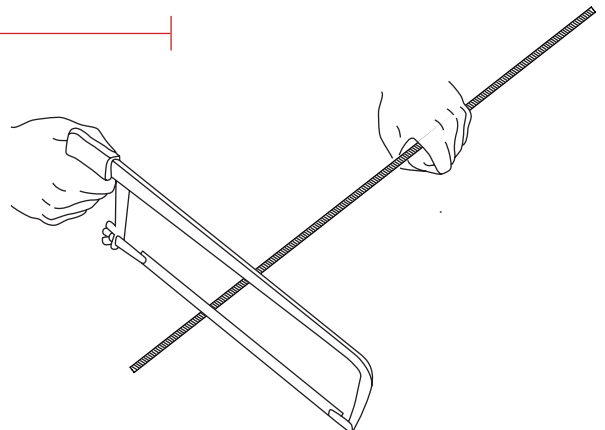
2. Mark the length of the tube required, using a marker or tape. Then hold down the tube with a hand or a clamp, use a hacksaw or electrical tool to cut the tube. Recommended to clean tube after cutting to remove any metal chippings.



3. Now that the cover tube is cut to 31.5", measure the all thread tube to be 32" long. And place a mark, with a marker or tape.



4. Hold down the all thread with a hand or a clamp, use a hacksaw or electrical tool to cut the all thread tube. Recommended to clean all thread tube after cutting to remove any metal chippings.

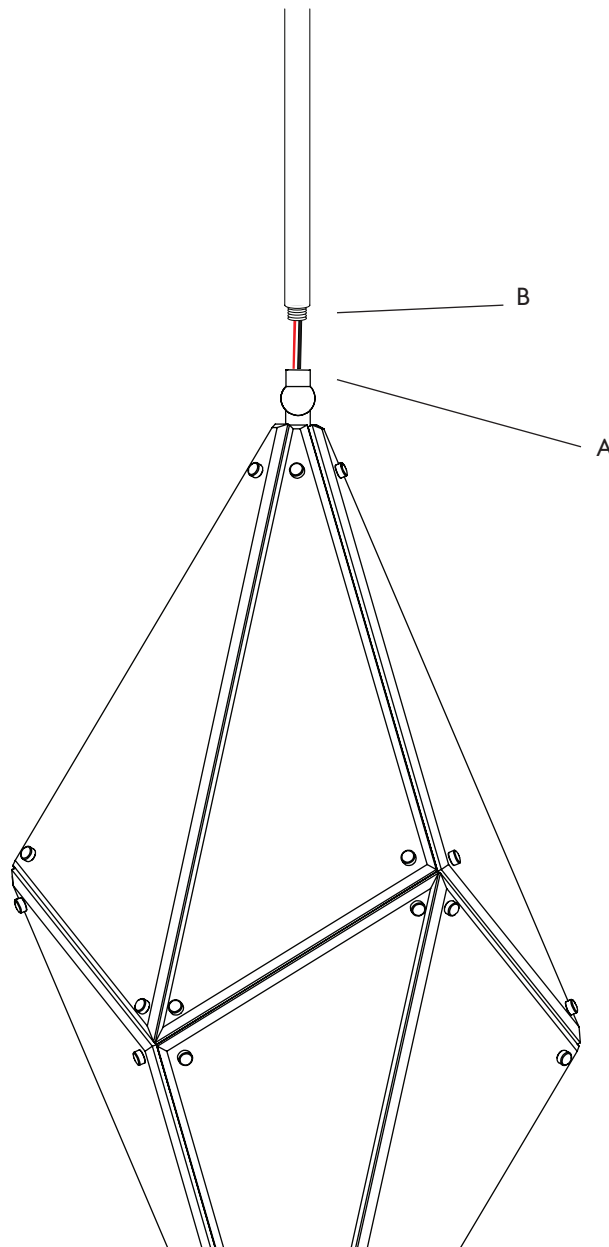


Roll & Hill

MAXHEDRON | CEILING INSTALLATION

*Note: Please contact a licensed electrician.
Note: Do not use bulbs that exceed 20 watts.*

1. Feed the wires from the fixture hangstraight (A) through the threaded rod and covertube (B).
2. Screw in the threaded rod with cover tube (B) into the the hangstraight (A).



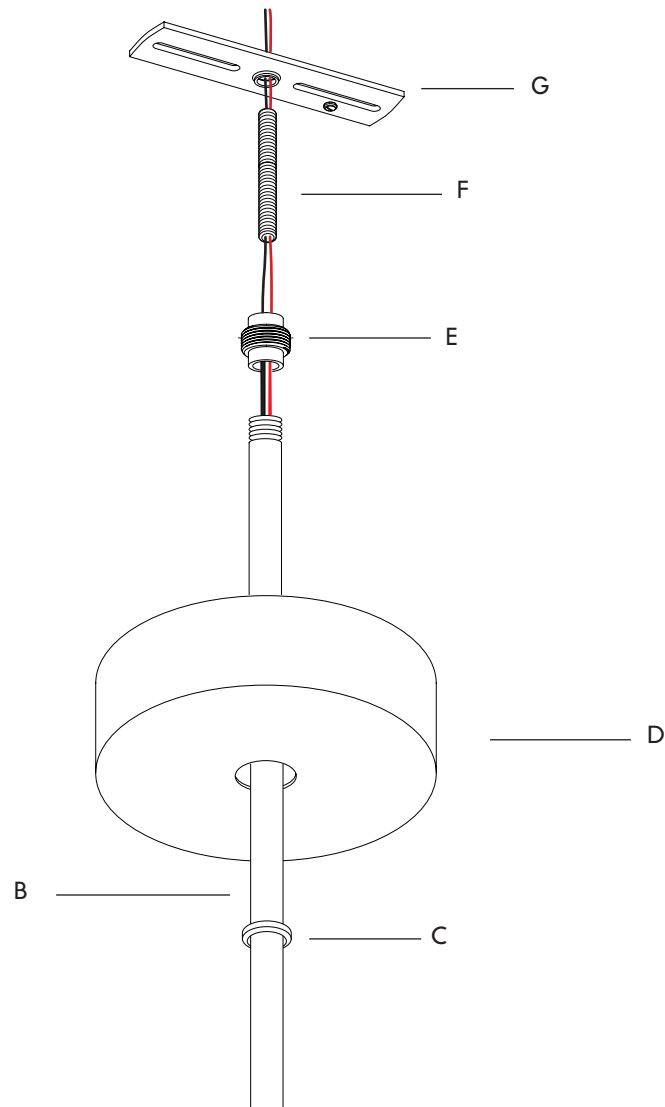
Roll & Hill

MAXHEDRON | CEILING INSTALLATION

Note: Please contact a licensed electrician.

Note: Do not use bulbs that exceed 20 watts.

- Slide the canopy nut (C) and canopy (D) on to the threaded rod with cover tube (B).
- Then crew in the hang-straight (E), and nipple (F), onto the threaded rod with cover tube (B), and crossbar (G) onto the nipple (F) until there is about 1" space between the hang-straight and the crossbar (leave more space if the J-box sits further in the ceiling).
Be sure to feed the wires through them.

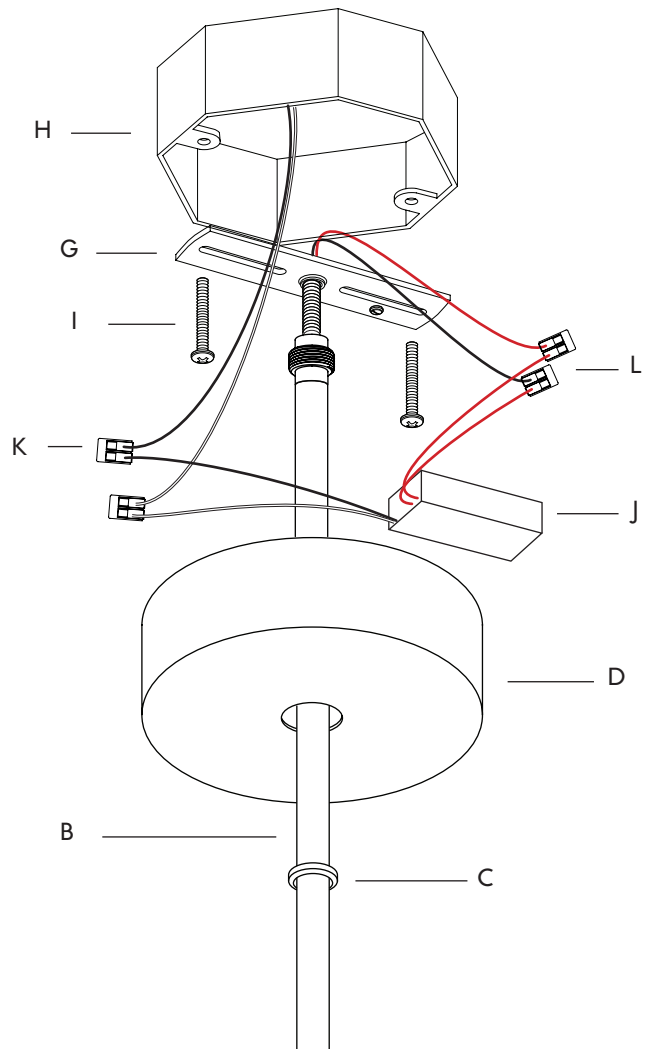


Roll & Hill

MAXHEDRON | CEILING INSTALLATION

*Note: Please contact a licensed electrician.
Note: Do not use bulbs that exceed 20 watts.*

5. Lift the fixture up, and fit the crossbar (G), over the J-box (H), and secure it with two provided screws (I).
6. Then connect the lead wires from J-box (H) to LED driver wires (J) with provided two port wagos (K)
7. Connect the secondary wires from the fixture to the LED driver wires (J) with provided two port wagos (L).
8. Fit the LED driver (J) into the canopy (D), and raise it over the J-box (H). Be sure to tuck in all the wires into J-box or canopy.
9. Then secure the canopy (D) with canopy nut (C)



Roll & Hill

MAXHEDRON | REPLACING BULBS (VERTICAL)

Note: Make sure to power off fixture and allow bulbs and metal arms to cool.

Note: Do not touch bulbs with bare hands.

Note: Do not unscrew top four glass panels.

Note: Only replace with 12V AC G4 LED, or BI-PIN Halogen or xenon bulbs of 10W or less.

To replace the bulbs in your Maxhedron lighting fixture, remove one of the panels (A) of glass by unscrewing the three thumbscrews (B) holding it in place. (Note: Only remove one panel at a time.) Carefully brace the panel while loosening the screws. If necessary, use suction cup to stabilize. Remove the bulb (C) by pulling it straight out and replace by pushing in gently. Reattach the glass panel by carefully tightening the thumbscrews. Always make sure silicone pads remain on the inside and nylon washers remain on the outside of the glass.

