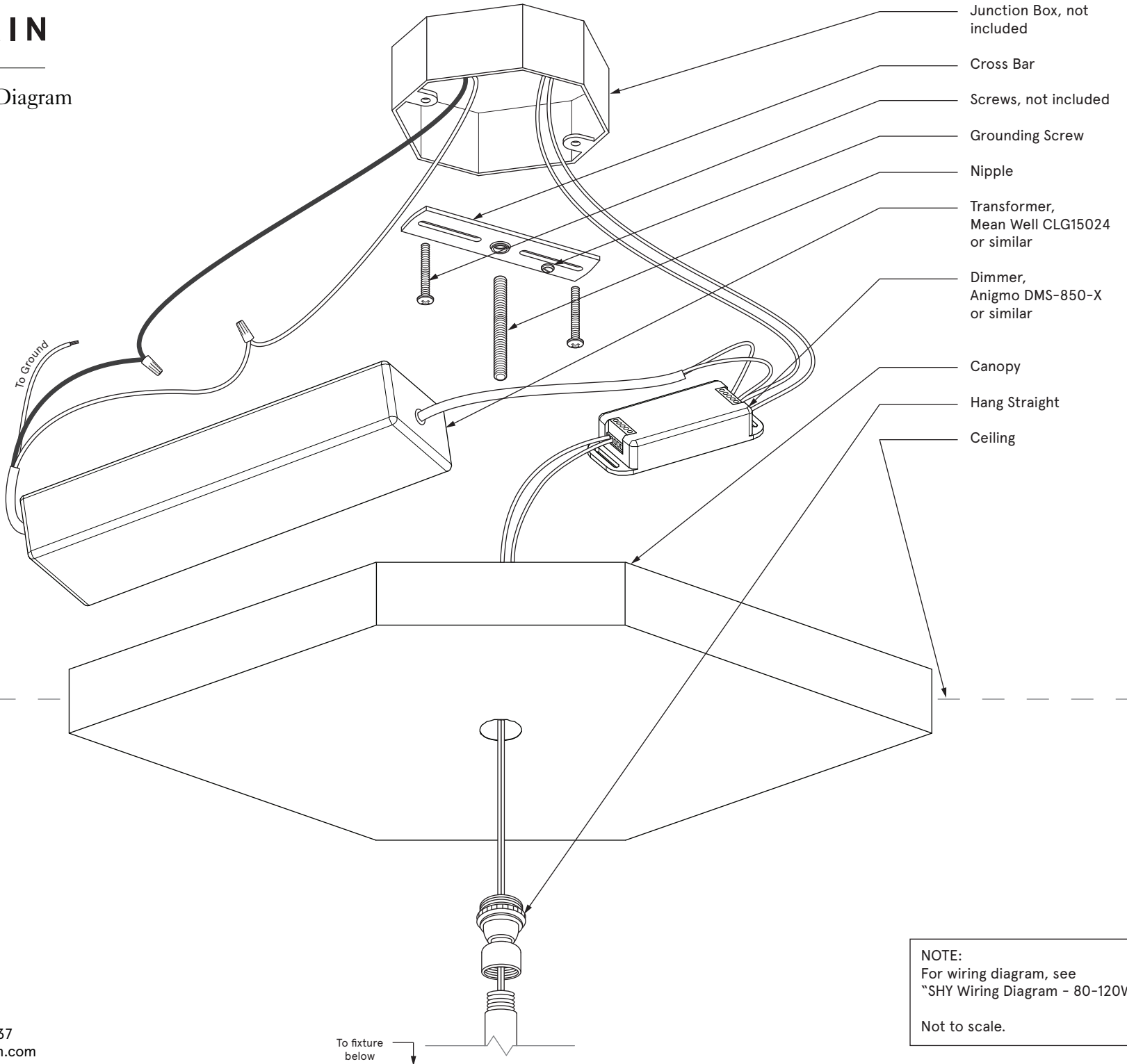
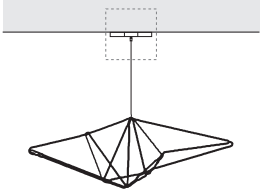


BE CB RIT TAIN

SHY Local Installation Diagram 80-120 Watts



- Junction Box, not included
- Cross Bar
- Screws, not included
- Grounding Screw
- Nipple
- Transformer, Mean Well CLG15024 or similar
- Dimmer, Anigmo DMS-850-X or similar
- Canopy
- Hang Straight
- Ceiling

NOTE:
For wiring diagram, see
"SHY Wiring Diagram - 80-120W"
Not to scale.