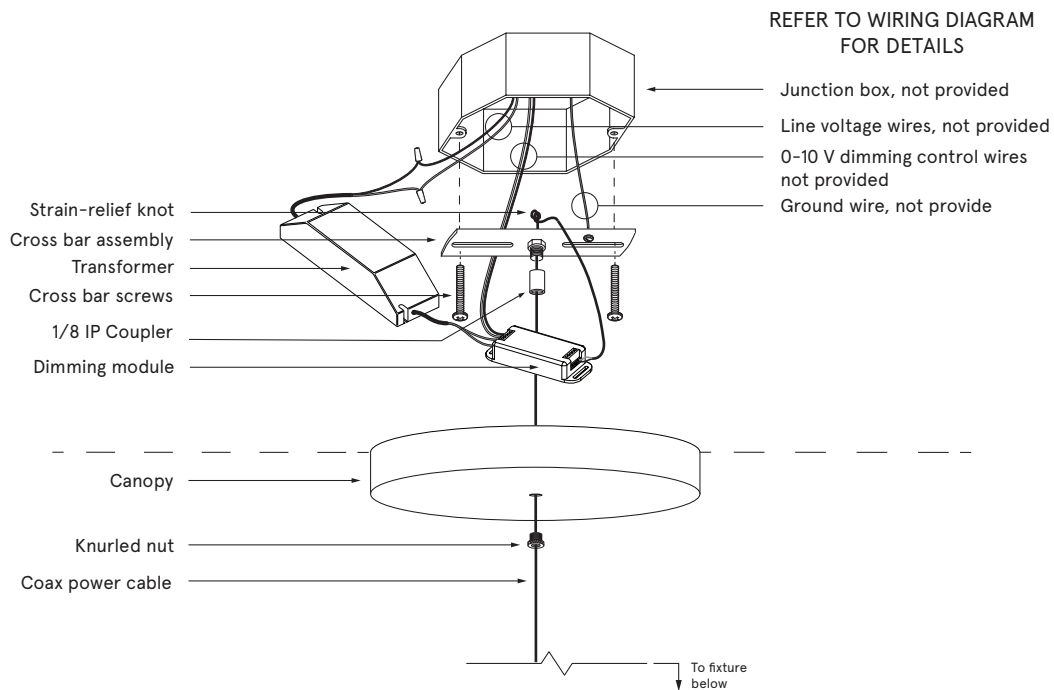


BE C BRITAIN

Installation Diagram Local Transformer with Coax Cable

1. Fasten cross bar assembly to junction box; adjust nipple/coupler to ensure the face of coupler will be flush with backside of the canopy
2. Slide knurled nut and canopy down coax cable
3. Make strain relief knot in coax cable at proper hanging height
4. Make electrical connections in accordance with Wiring Diagram
5. Mount transformer and dimming module to ceiling, making sure they will fit inside canopy, then slide canopy up to coupler. Alternatively, fit transformer and dimming module within the canopy
6. Secure canopy by fastening the knurled nut to the coupler



This product must be installed in accordance with the applicable installation code by a person familiar with the construction and operation of the product and the hazards involved.

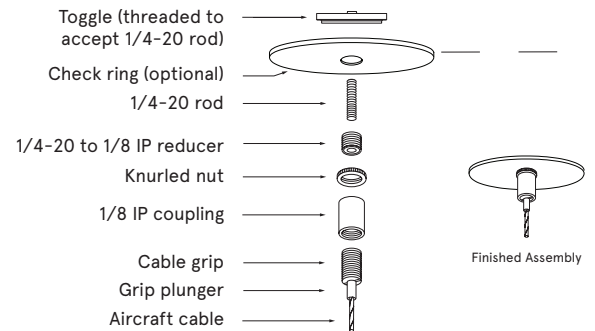
Ce produit doit être installé selon le code d'installation pertinent, par une personne qui connaît bien le produit et son fonctionnement ainsi que les risques inhérents.

BE CB RIT TAIN

Installation Diagram Ceiling Cable - Non-electrical Connection

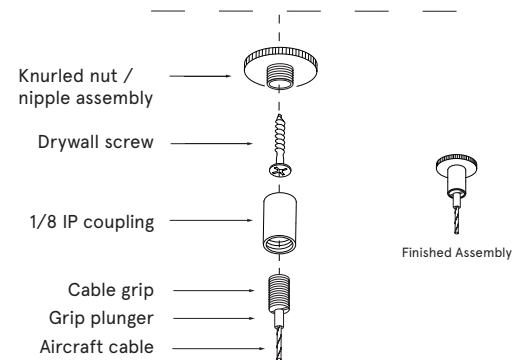
Ceiling Mount with Toggle / Concrete Anchor

1. Install provided toggle anchor in ceiling. Use concrete anchors where necessary (not provided)
2. Thread 1/4-20 rod into anchor
3. Optional: slide check ring over 1/4-20 rod
4. Thread reducer onto rod and knurled nut onto the reducer to hold check ring in place
5. Thread 1/8 IP coupling onto reducer
6. Thread cable grip into coupling so face of cable grip is flush with coupling
7. Cut aircraft cable 1" longer than installed length with aircraft cable cutters
8. Feed cable into cable grip
9. To release cable depress grip plunger



Ceiling Mount with Existing Blocking

1. Screw knurled nut/nipple assembly into ceiling anchor or blocking with drywall screw. Anchor/blocking not provided
2. Thread coupling onto nipple
3. Thread cable grip into coupling
4. Cut aircraft cable 1" longer than installed length with aircraft cable cutters
5. Feed cable into cable grip
6. To release cable depress grip plunger



This product must be installed in accordance with the applicable installation code by a person familiar with the construction and operation of the product and the hazards involved.

Ce produit doit être installé selon le code d'installation pertinent, par une personne qui connaît bien le produit et son fonctionnement ainsi que les risques inhérents.