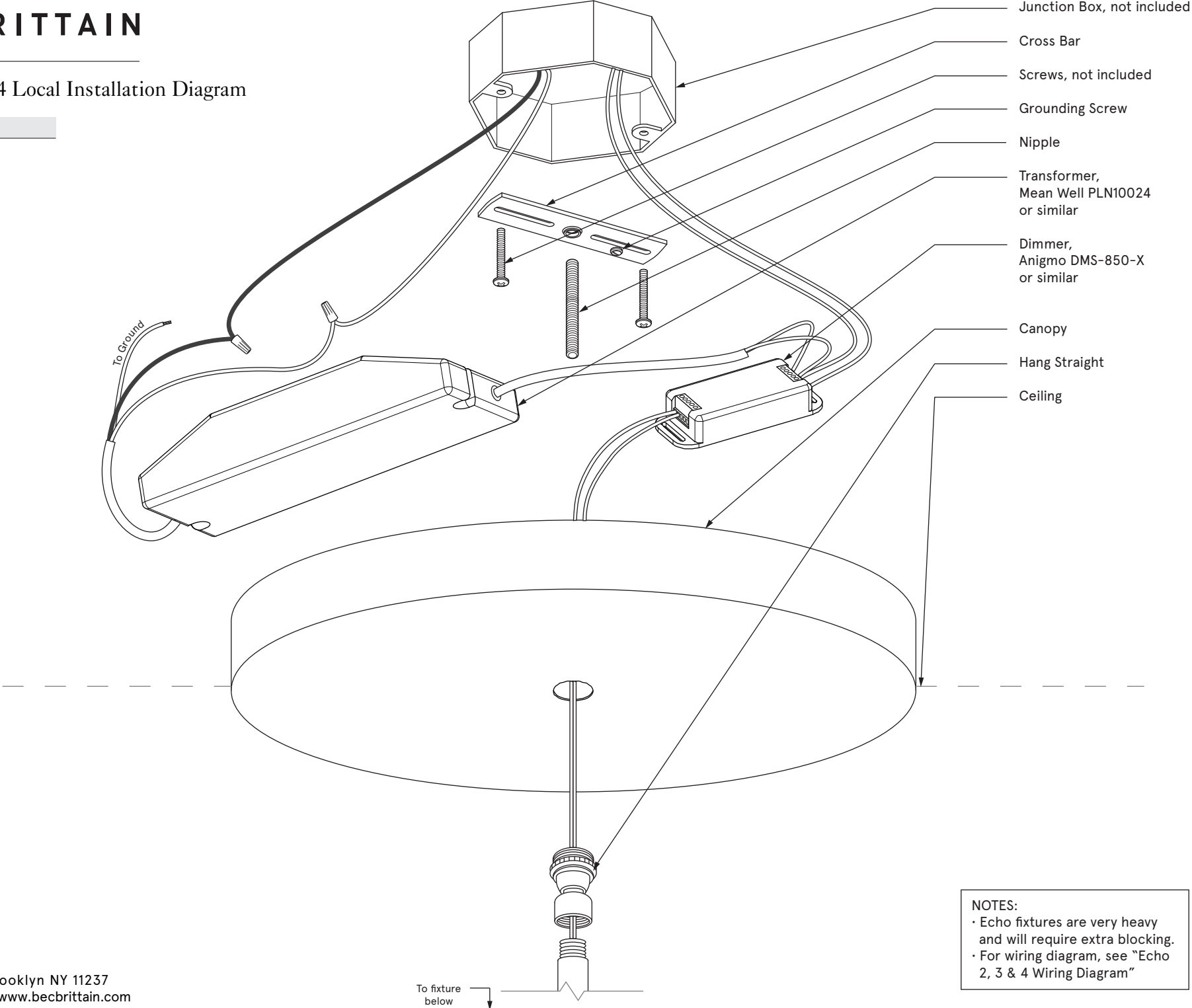
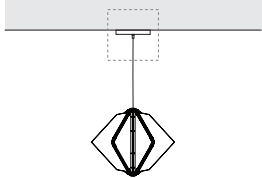


BE CB RIT TAIN

Echo 2, 3 & 4 Local Installation Diagram



NOTES:

- Echo fixtures are very heavy and will require extra blocking.
- For wiring diagram, see "Echo 2, 3 & 4 Wiring Diagram"