

# B E C B R I T T A I N

## Local Driver Installation

Over to 40 Watts / 120V

All 240V - 277V

In the Local Installation method, the electronics for power and dimming are housed within the canopy at the ceiling. The key particulars about the electronics are:

- The power and dimming are controlled by a Lutron Pico Wireless Switch Controller which communicates with a Lutron PowPak RF Dimming Module and a compatible Meanwell driver
- The Pico Switch can be installed as a replacement for an existing switch or can be installed at a different location. The switch should be with 30 feet (9.1 m) of the PowPak module and should not be mounted on a metal surface
- The Pico and PowPak are compatible with Lutron control systems such as HomeWorks. Please consult your electrician/technician regarding other control systems.
- We will provide one Pico switch for each fixture and will program the switch for a stand-alone application. We can provide additional switches upon request. Please consult your electrician/technician for any further programming
- The size of canopy is specified in our Estimate proposal
- To review switch options, please refer to <http://www.lutron.com/en-US/Products/Pages/Components/PicoWirelessController/Models.aspx>

# BE CB RITAIN

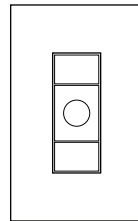
## Lutron Pico Wireless Controller

Your new Bec Brittain fixture is dimmed using a Lutron Pico wireless controller and Lutron RF Dimming Module receiver. This controller provides high quality dimming and greatly reduces wiring complexity. We have already paired the wireless controller to the receiver, so the fixture can be installed right out of the box.

A few important notes:

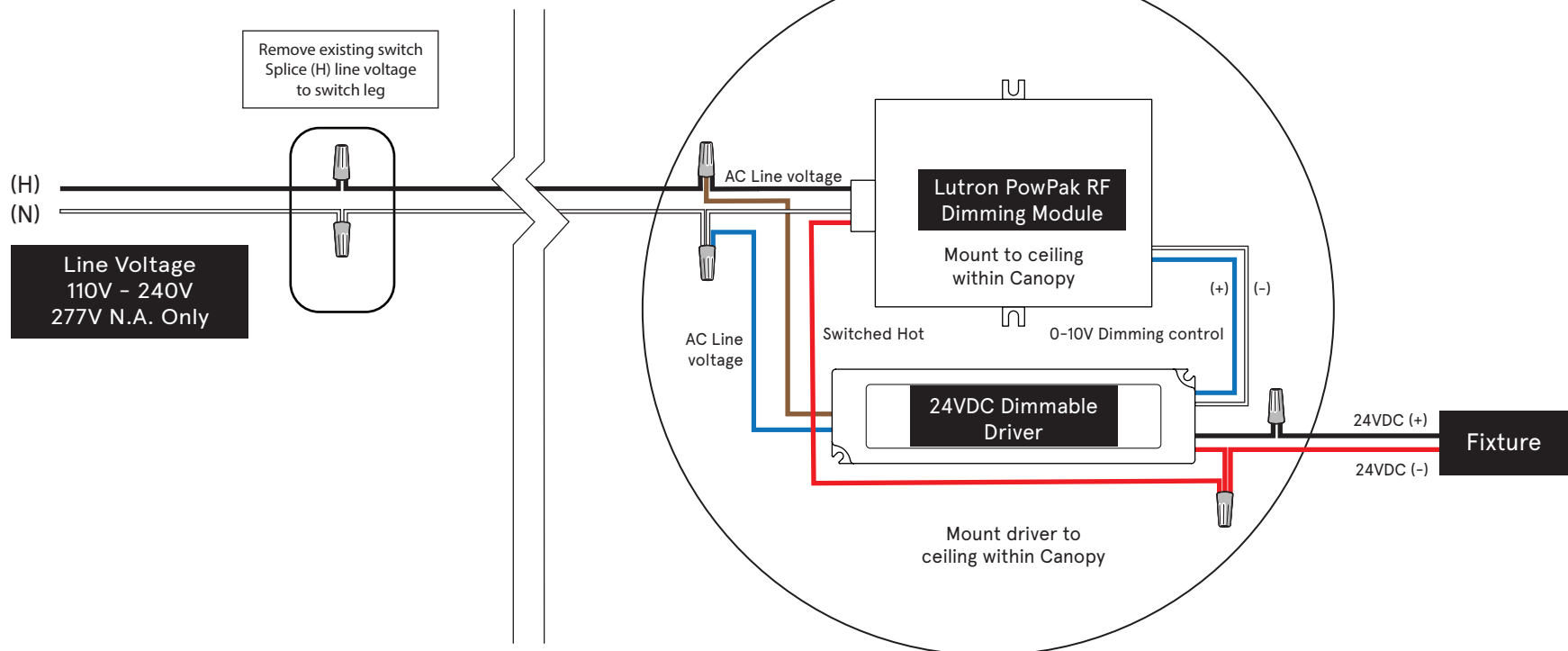
- If the Pico wireless controller has become unpaired, you can re-pair the devices by following these steps:
  - Hold down the power button on the RF Dimming Module receiver for 6 seconds
  - Next, hold down the off button on the Pico wireless controller for 6 seconds
  - To save the association, hold down the power button on the RF Dimming Module for 6 seconds
- The Pico wireless controller integrates in standard Lutron wallplates (included) and looks seamless with other Lutron switches. The Pico controller can either be installed on an existing wallbox or on a wall surface. Please see the Pico Wallplate Bracket Instruction page for both types of installation.
- The Pico wireless controller should be installed within 30 feet through walls or 60 feet line-of-sight of the RF receiver.
- The center button on the controller is for a preset light level. To save a new preset level, press and hold the button for 6 seconds.
- If you require additional wireless controllers or specific colors of wallplates, these can be purchased from any Lutron distributor. Additional controllers must be paired to the RF receiver.
- If you require any assistance in setup, we recommend calling a Lutron representative at 1 (888) 588-7661.

## Wiring Diagram - Local within Fixture Canopy 24VDC Lutron PowPak RF Dimming



Lutron Pico Wireless Switch Controller  
3-Button with Raise/Lower provided

For a full list of controllers, see:  
<http://www.lutron.com/en-US/Products/Pages/Components/PicoWirelessController/Models.aspx>  
While the switch is shipped paired with the PowPak, the electrician/technician may need to adjust



This product must be installed in accordance with the applicable installation code by a person familiar with the construction and operation of the product and the hazards involved.

Ce produit doit être installé selon le code d'installation pertinent, par une personne qui connaît bien le produit et son fonctionnement ainsi que les risques inhérents.

24VDC dimmable driver included  
Lutron PowPak RF dimming module provided  
Refer to manufacturer's literature for specific technical details

# B E C B R I T T A I N

## Remote Driver Installation

Over to 40 Watts / 120V

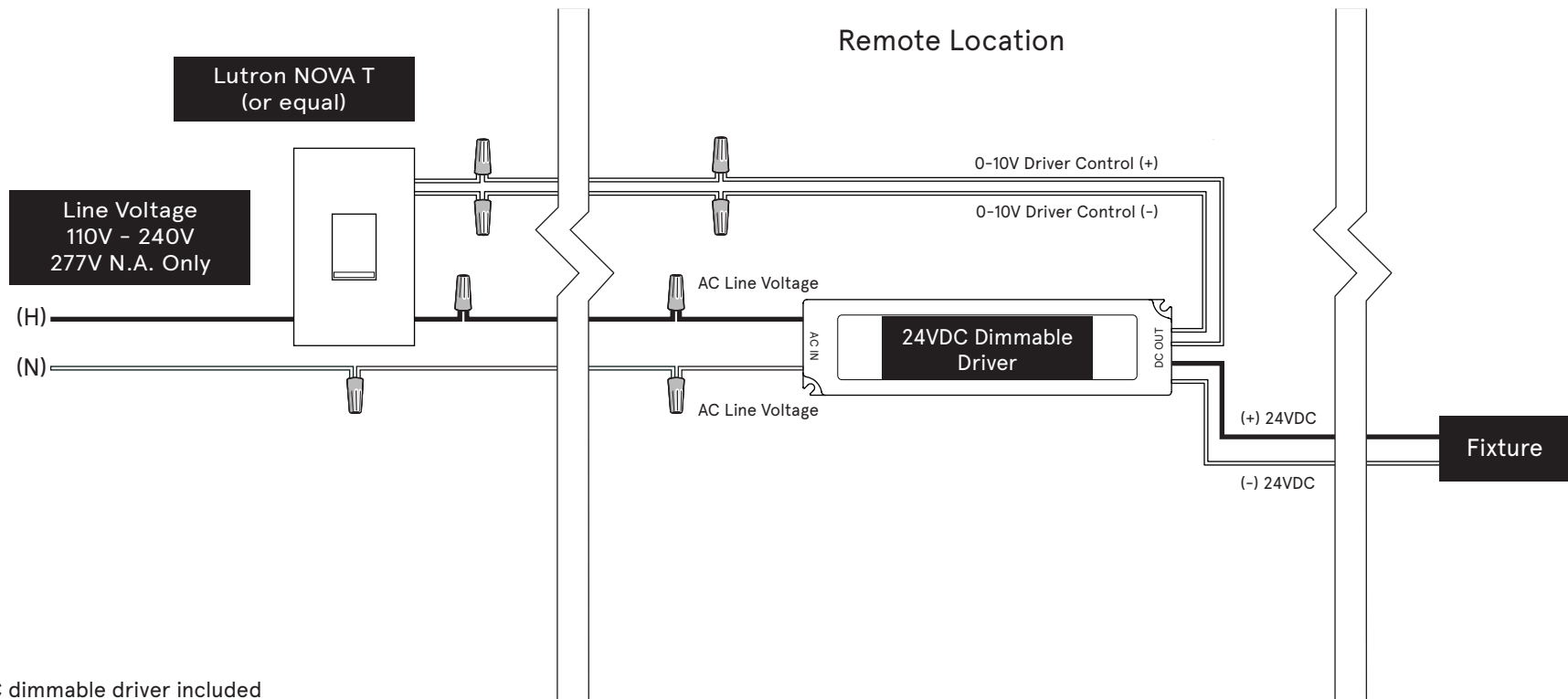
All 240V - 277V

In the Remote Driver Installation method, the electronics for power and dimming are mounted in a location other than at the canopy, such as in a nearby cabinet.

The dimming uses 0-10V signals which require additional wiring. This wiring is best done early in the construction process. If not, extra work, including patching, repainting, and light carpentry, may be required.

- The power and dimming are controlled by a Meanwell dimming-compatible driver.
- The driver should be installed within 50 feet of the fixture and must be accessible at all times.
- The driver is compatible with most major lighting control systems. Please consult your electrician/technician regarding specific system requirements.
- The canopy provided is 5" x 0.25" (127 mm x 6 mm)

## Wiring Diagram - Remote Driver Location 24VDC Dimmable Driver



24VDC dimmable driver included  
0-10V dimming switch not provided  
Refer to electronic device literature for  
specific technical details

This product must be installed in accordance with the applicable installation code by a person familiar with the construction and operation of the product and the hazards involved.

Ce produit doit être installé selon le code d'installation pertinent, par une personne qui connaît bien le produit et son fonctionnement ainsi que les risques inhérents.