

BEAM 02 PENDANT

Collection:

Beam and Glow

Design Year:

2018

Dimensions:

W 8.5in/21cm x D 4in/10cm x H 26in/66cm

Weight:

13lbs/6kg

Specifications:

Wattage: 25

Lumens: 1600

Color Temperature: 2400K

Life Hours: 50,000

CRI: 95

Local TRIAC Dimmable Driver (120V)

Remote 0-10V Dimmable Driver (240V)

Suspension:

Ceiling pendant with fixed pipe suspension. Overall height to be specified at time of order. Ships with 5in/12.7cm square canopy in matching metal finish.

Materials:

Aluminum, LED, Chromatic Resin Lens

Metal Finish Options:

Anodized: Silver, Black, Light Gold

Hand-Stained: Lilac, Green

Lens Color Options:

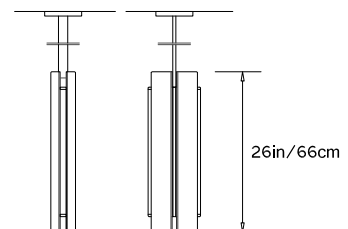
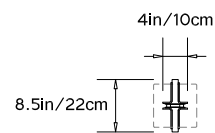
Amber, Rose, Frosted

* All fixtures are made to order. For finish options or custom requests, please contact our sales team.

Made in New York



Beam 02 Pendant pictured with Hand-Stained Green metal finish and Amber lens



BEAM 04 PENDANT

Collection:

Beam and Glow

Design Year:

2018

Dimensions:

W 8.5in/21cm x D 4in/10cm x H 47.75in/120cm

Weight:

25lbs/11kg

Specifications:

Wattage: 51

Lumens: 3300

Color Temperature: 2400K

Life Hours: 50,000

CRI: 95

Local TRIAC Dimmable Driver (120V)

Remote 0-10V Dimmable Driver (240V)

Suspension:

Ceiling pendant with fixed pipe suspension. Overall height to be specified at time of order. Ships with 5in/12.7cm square canopy in matching metal finish.

Materials:

Aluminum, LED, Chromatic Resin Lens

Metal Finish Options:

Anodized: Silver, Black, Light Gold

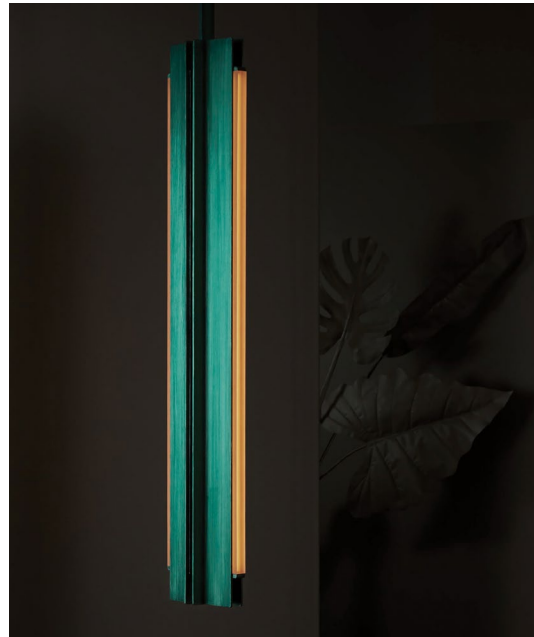
Hand-Stained: Lilac, Green

Lens Color Options:

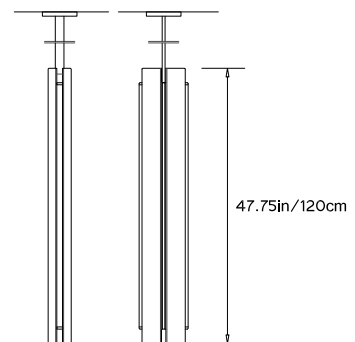
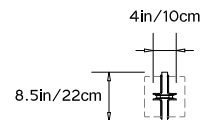
Amber, Rose, Frosted

* All fixtures are made to order. For finish options or custom requests, please contact our sales team.

Made in New York



Beam 04 Pendant pictured with Hand-Stained Green metal finish and Amber lens



BEAM 06 PENDANT

Collection:

Beam and Glow

Design Year:

2018

Dimensions:

W 8.5in/21cm x D 4in/10cm x H 69.25in/176cm

Weight:

40lbs/18kg

Specifications:

Wattage: 76

Lumens: 4900

Color Temperature: 2400K

Life Hours: 50,000

CRI: 95

Local TRIAC Dimmable Driver (120V)

Remote 0-10V Dimmable Driver (240V)

Suspension:

Ceiling pendant with fixed pipe suspension. Overall height to be specified at time of order. Ships with 5in/12.7cm square canopy in matching metal finish.

Materials:

Aluminum, LED, Chromatic Resin Lens

Metal Finish Options:

Anodized: Silver, Black, Light Gold

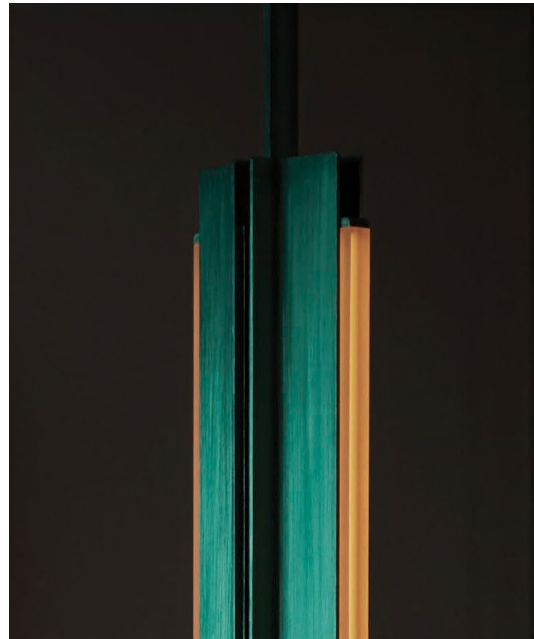
Hand-Stained: Lilac, Green

Lens Color Options:

Amber, Rose, Frosted

* All fixtures are made to order. For finish options or custom requests, please contact our sales team.

Made in New York



Beam 06 Pendant pictured with Hand-Stained Green metal finish and Amber lens

