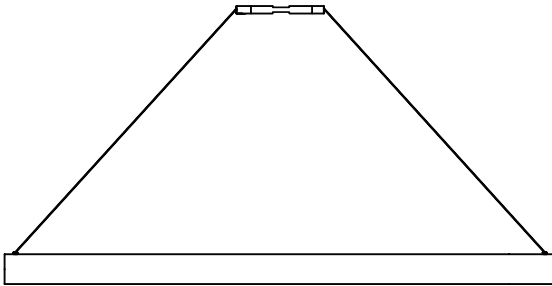


## CONTENTS

Lighting Assembly 03



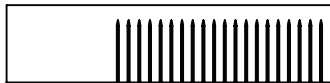
(x2) Wago Connector 2



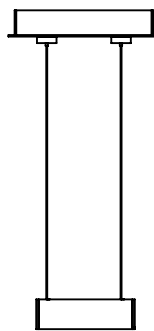
Wago Connector 3



Glass



Canopy Assembly



(x2) 8-32 J box Screws



(x2) Flat Head Machine Screws



(x2) Toggle Anchors



(x2) Flat Head Wood Screws



## SAFETY INFORMATION

Suitable for dry, indoor use only.

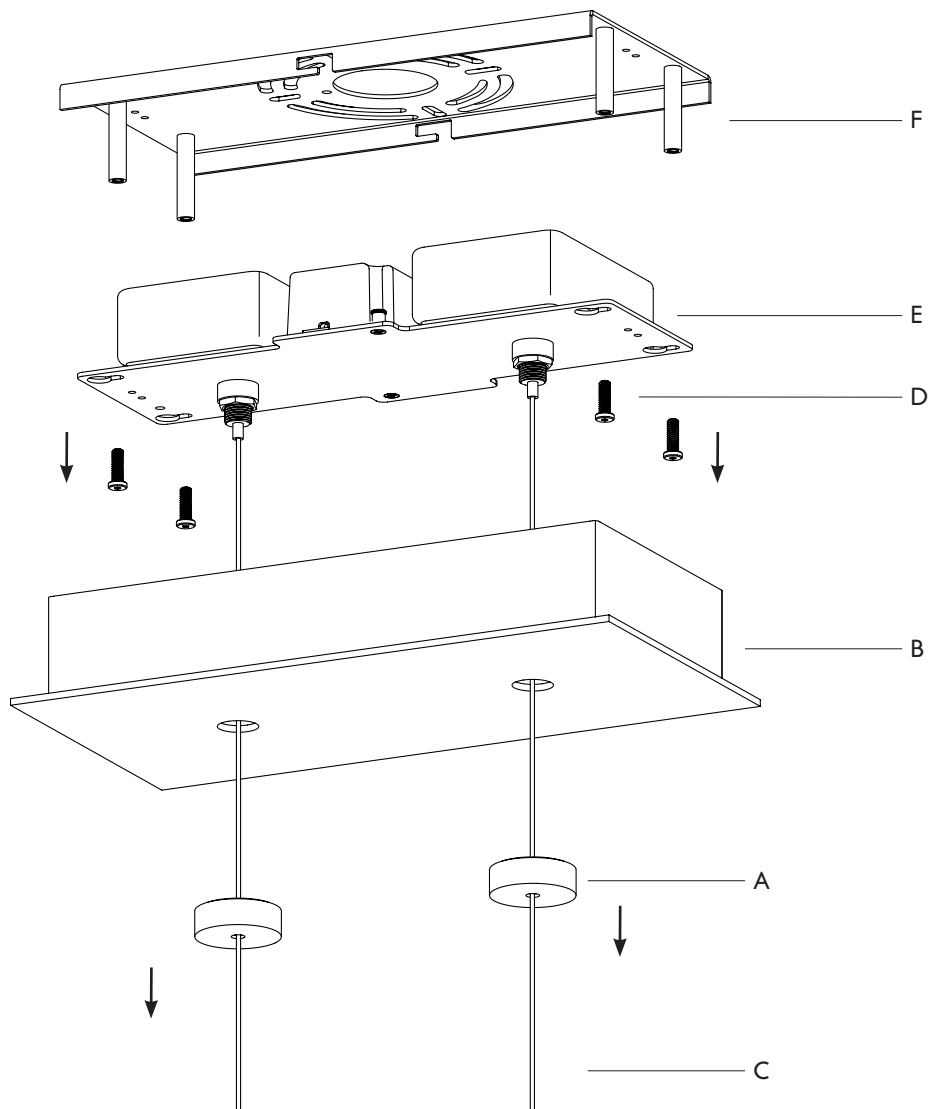
Maximum ambient temperatures: 25° C

The light source contained in this luminaire shall only be replaced by the manufacturer or his service agent or a similar qualified person.

## COAX PENDANT | INSTALLATION

*Notes : Please contact a licensed electrician for installation. Ensure power is off during installation. Installation of this fixture require handling glass. Be cautious and wear gloves.*

1. Unthread canopy nuts (A) and gently lower canopy (B) down aircraft cables (C) and rest onto the hanging mechanism below.
2. Unscrew x4 #8-32 screws (D), detaching the back plate (E) from the mounting plate (F).

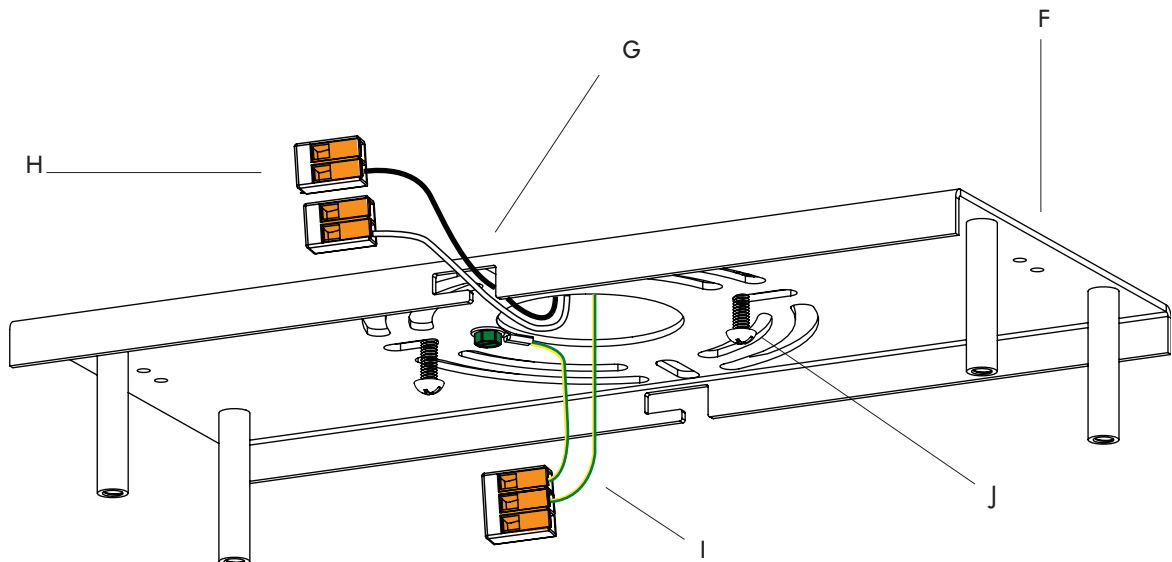


## COAX PENDANT | INSTALLATION

---

3. Connect the ground wire from the ceiling to the one in the mounting plate using a Wago 3 (I) to the mounting plate (F) and pull lead wires out the side channel (G) of the mounting plate and attach the Wago connectors (H) so they don't fall back through.

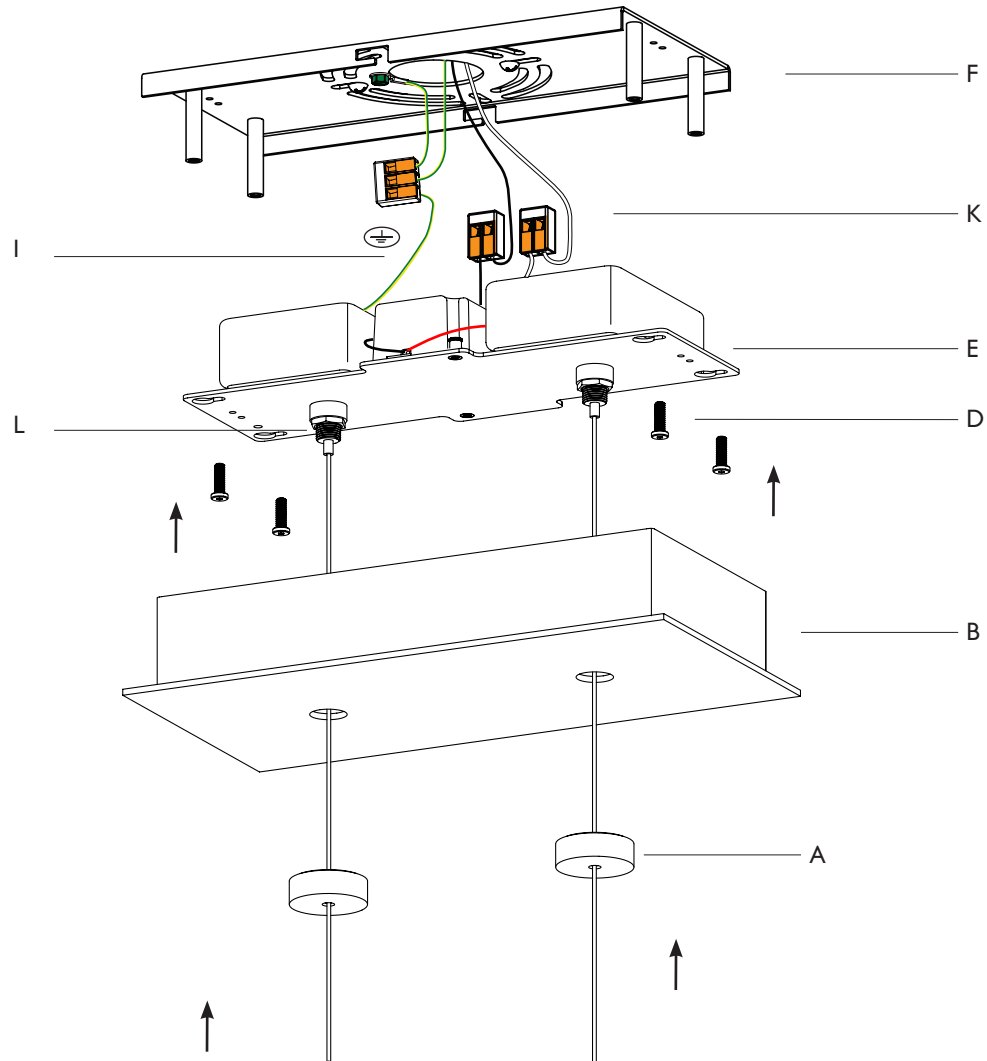
4. Mount the mounting plate (F) into the ceiling using adapted screws (J). Note that the orientation of the mounting plate will determine the orientation of the fixture.



## COAX PENDANT | INSTALLATION

---

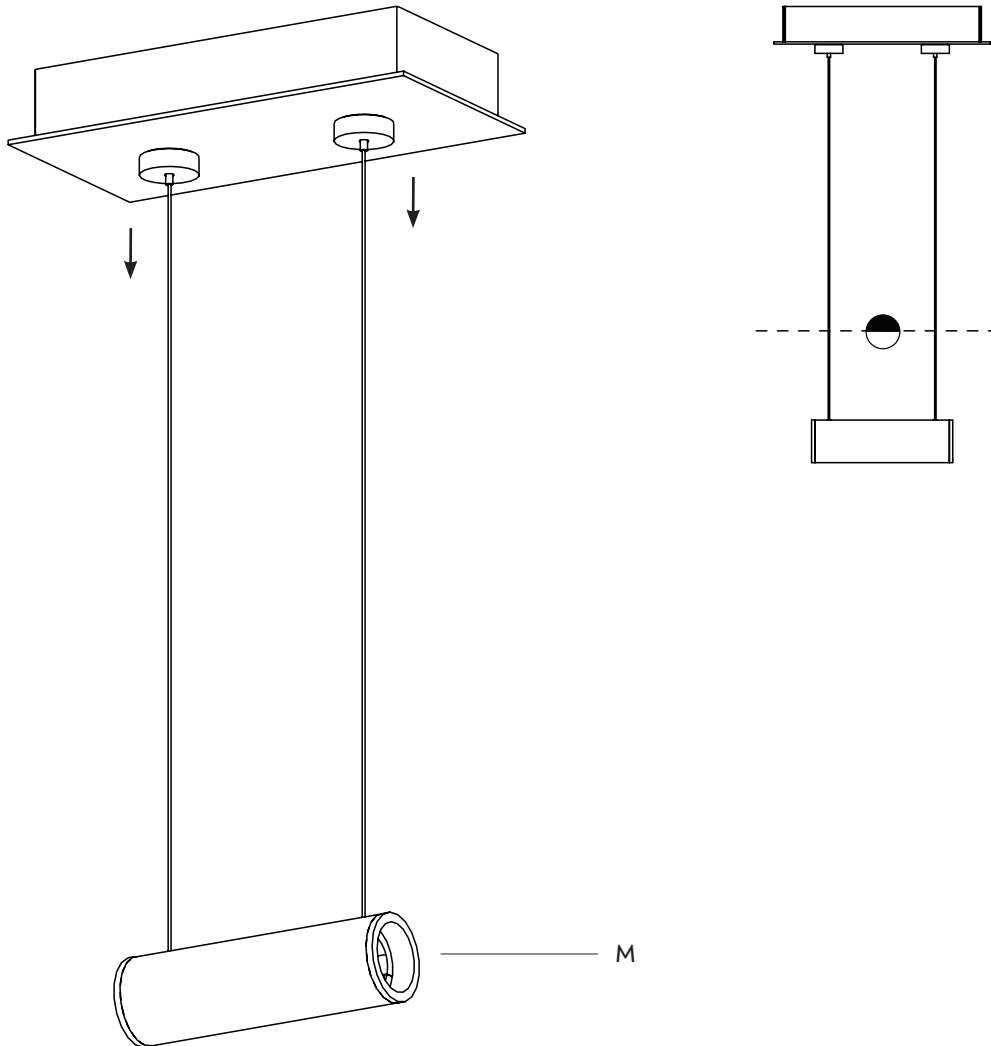
5. Connect the ground wire (I) to the backplate (E).
6. Fasten the #8-32 screws (D) back onto the standoffs attached to the mounting plate (F).
7. Make the electrical connections between the lead wires and driver wires (K).
8. Fasten the canopy nuts (A) back onto the cable grippers (L), raising the canopy box (B) until it is flush to the ceiling.



## COAX PENDANT | INSTALLATION

---

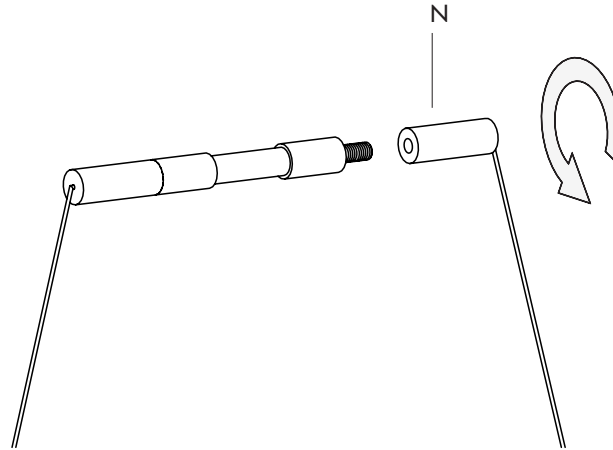
9. Level the hanging mechanism (M) by pulling the cables to make it horizontal.



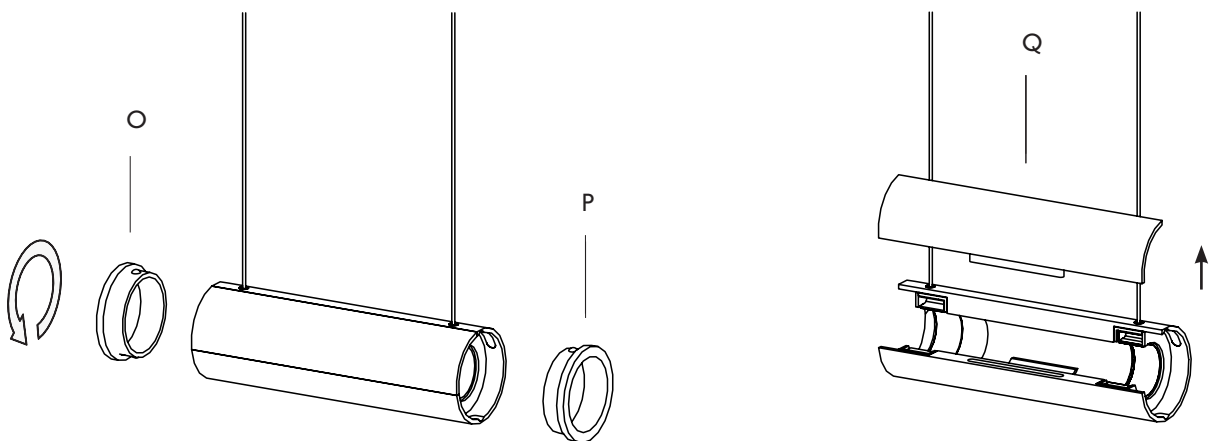
## COAX PENDANT | INSTALLATION

---

10. Unthread one metal endcap (N) of the lighting assembly tube and put it aside.



11. Unthread both endcaps (P) from the hanging mechanism, take off the top cap (Q) and put those three elements (P,O,Q) aside for later.

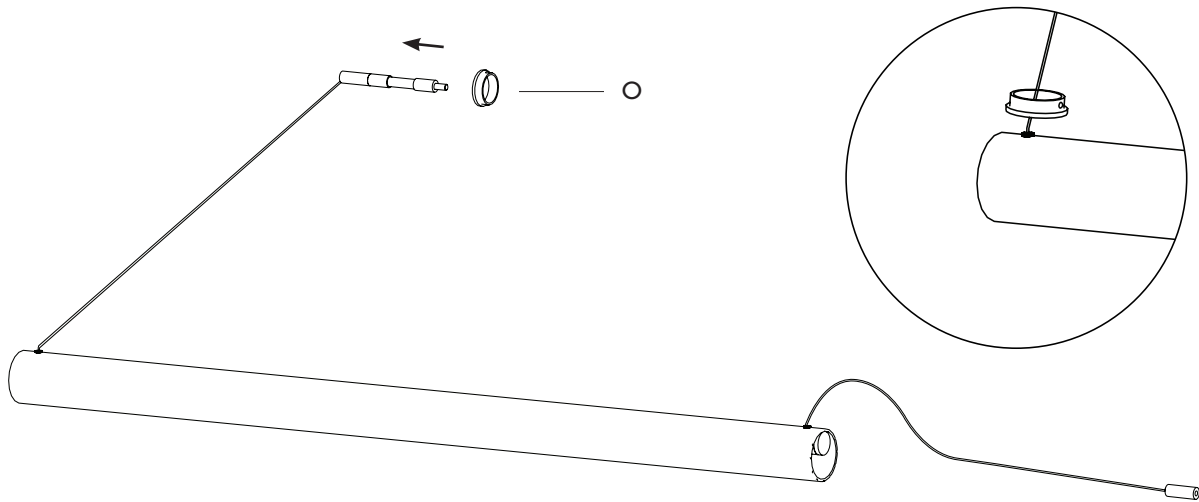


## COAX PENDANT | INSTALLATION

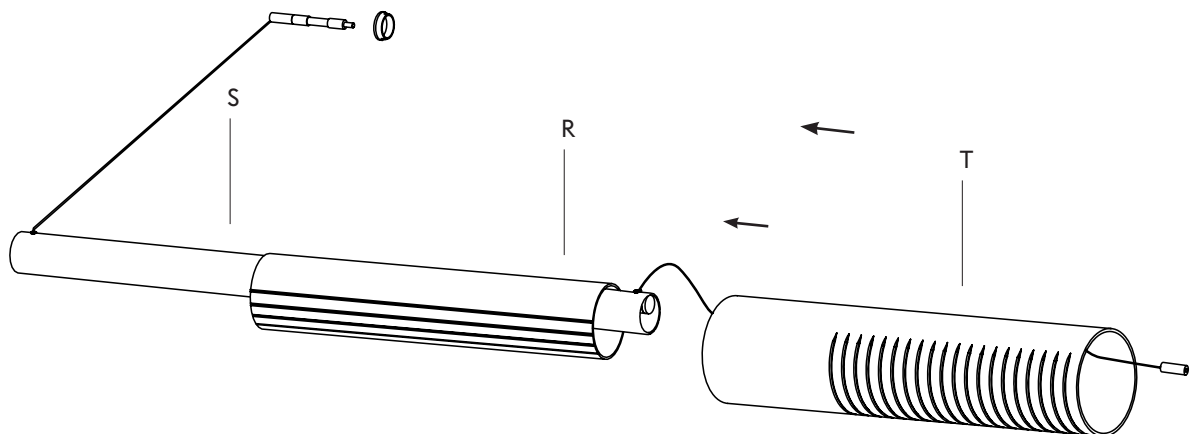
---

Note: The following steps require extra caution as it implies glass handling.

12. Slide the endcap (O) onto the tube in the orientation shown below and let it gently rest onto the fixture (see Detail View).



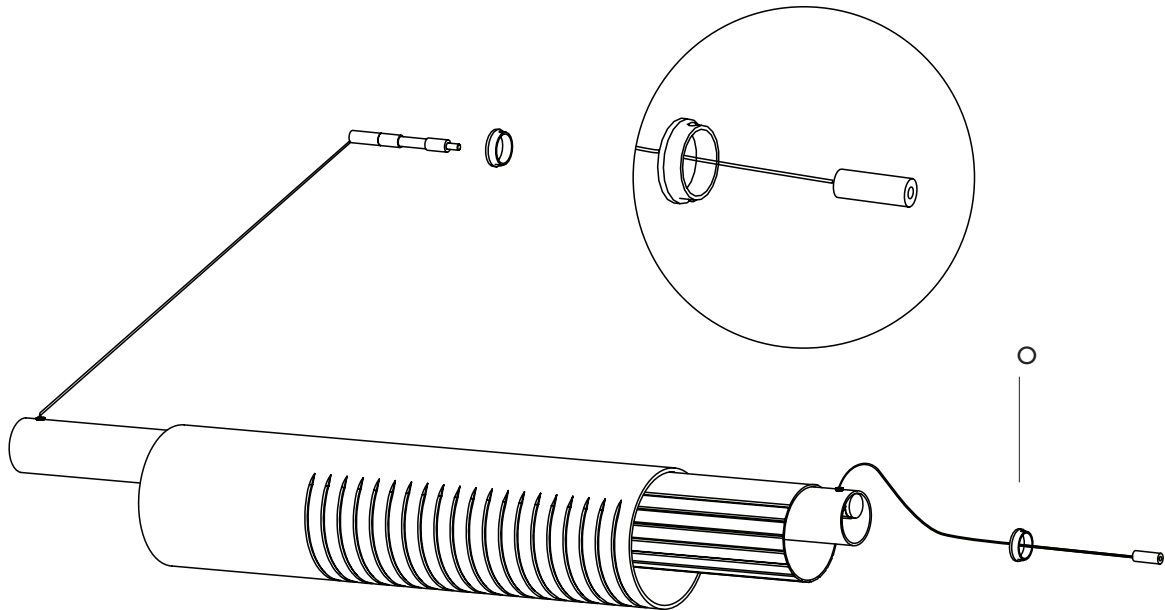
13. Slide the medium tube (R) onto the lighting assembly (S) until it is placed in the middle. Then, slide the larger tube (T) onto the medium tube (R) until it is placed in the middle.



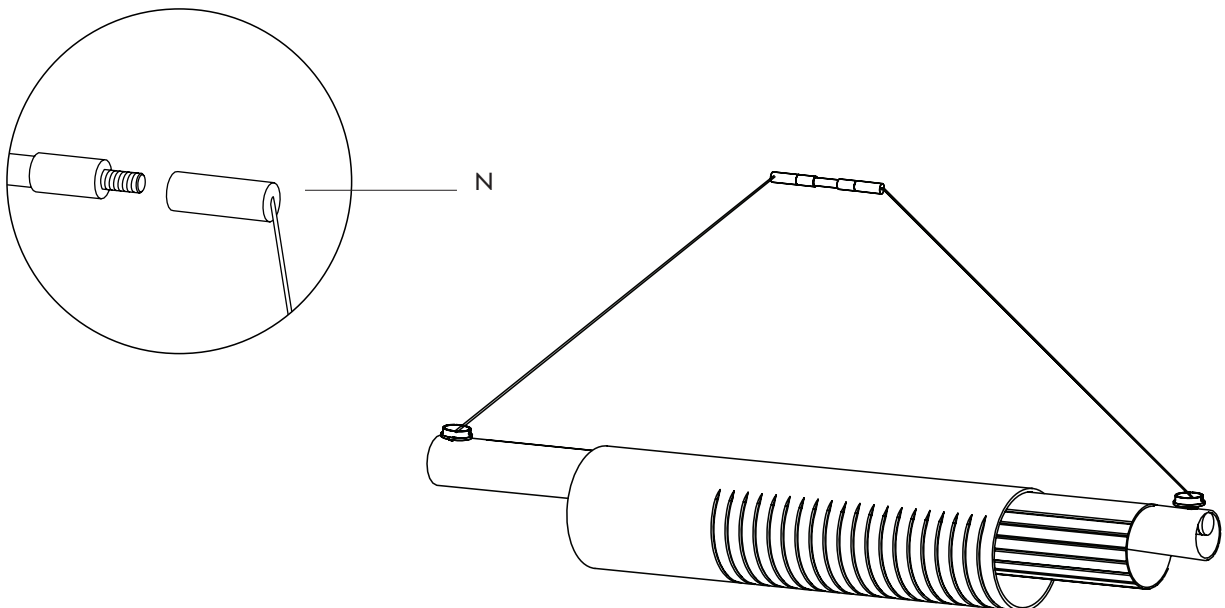
## COAX PENDANT | INSTALLATION

---

14. Slide the other endcap (O) onto the cable following the orientation shown below.



15. Thread the metal endcap (N) back onto the threaded rod in the tube.

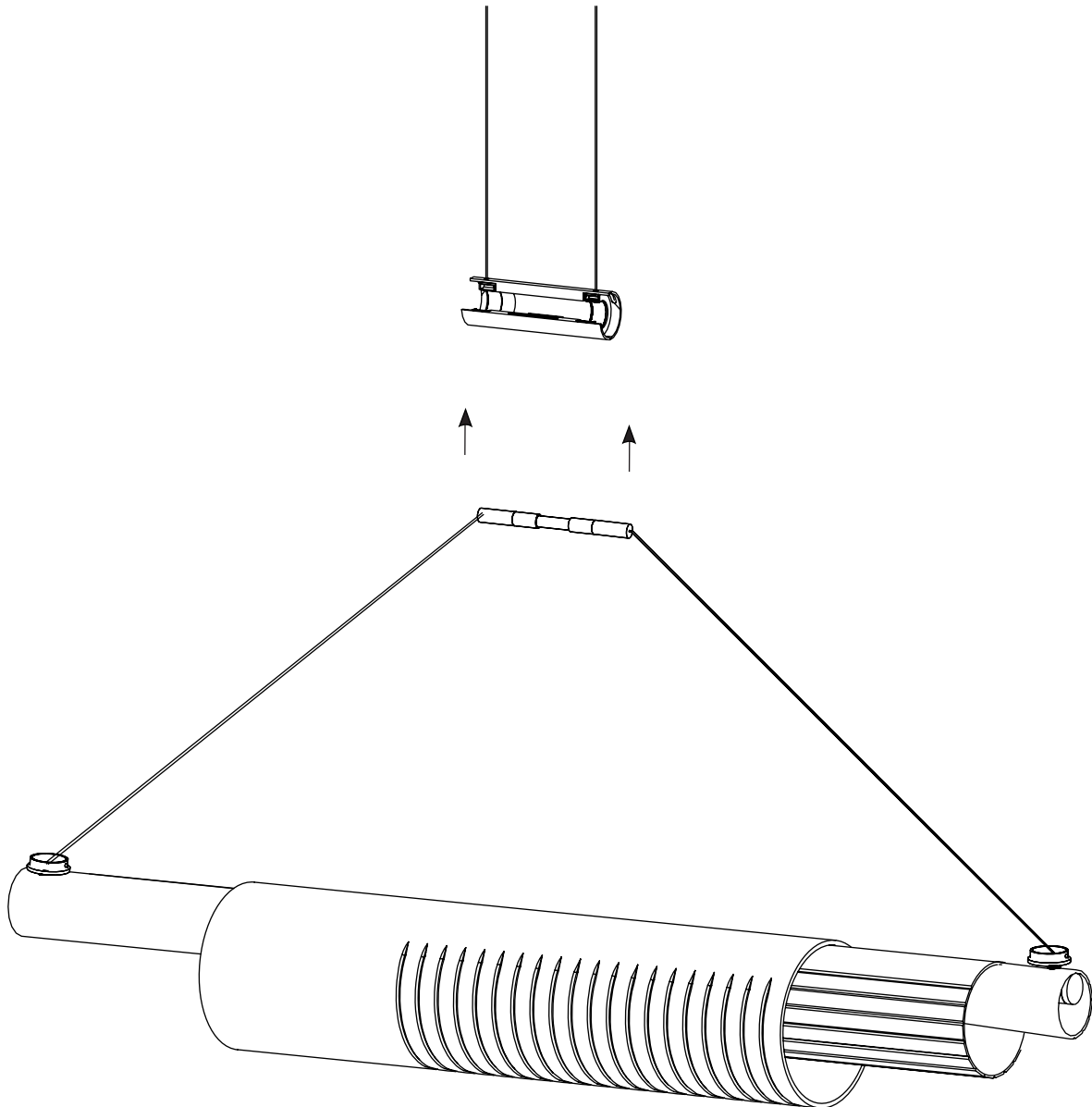




## COAX PENDANT | INSTALLATION

---

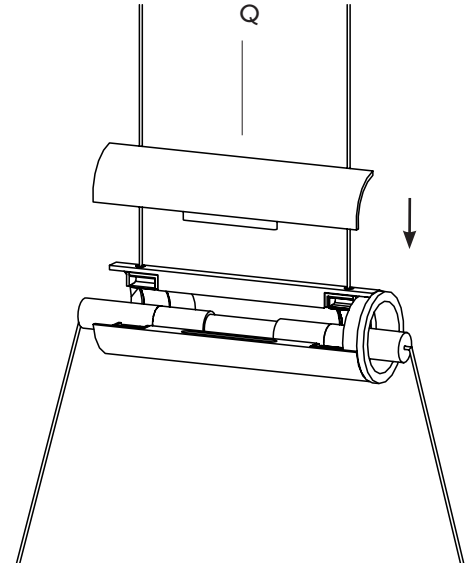
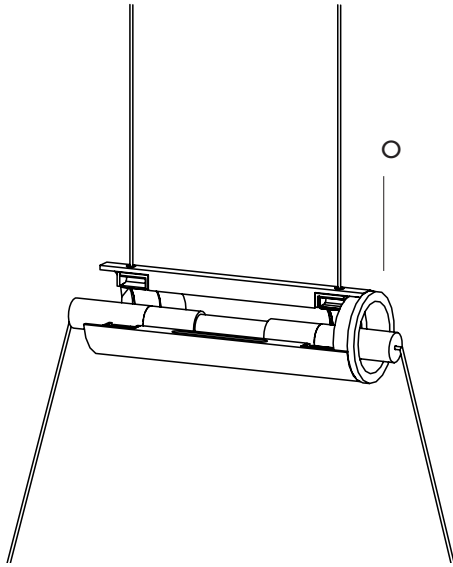
16. Bring the whole fixture into the hanging mechanism through the opening and let it rest until it locks it in place.



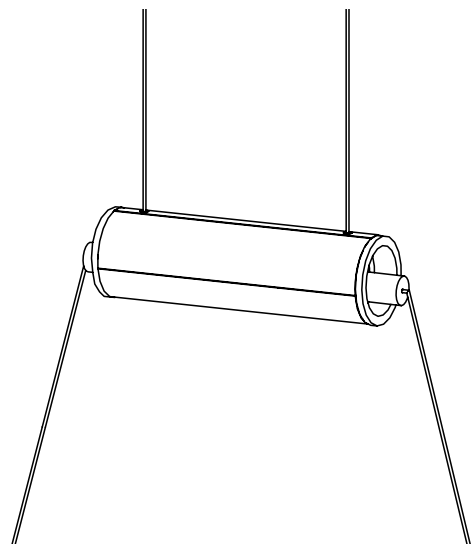
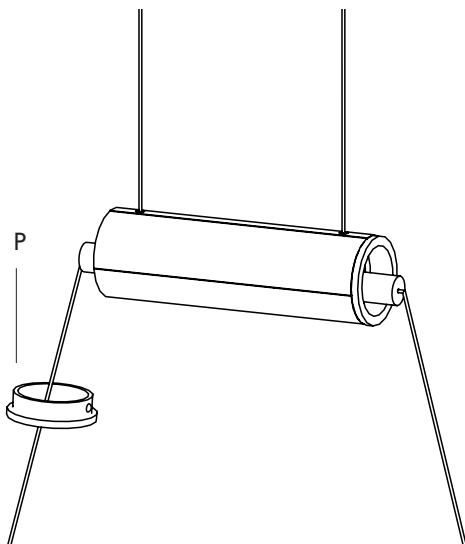
## COAX PENDANT | INSTALLATION

---

17. Thread back the first metal endcap (O) and bring back the top cap (Q) into the hanging mechanism.



18. Thread back the other endcap (P) in place.



## COAX PENDANT | INSTALLATION

---

19. Once the fixture is secured, gently place the tubes as shown below and proceed with slight adjustments to have the fixture fully balanced. Proceed with extra caution as it implies glass handling. The fixture is then ready to be powered up.

