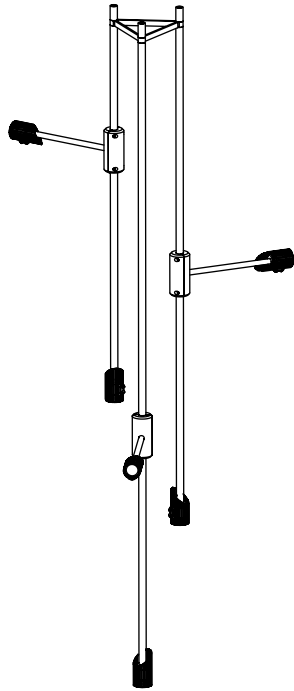


CONTENTS

Boden Vertical Pendant 06



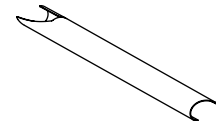
Stem (3) and 1/8 IPS
Threaded Rod (3)



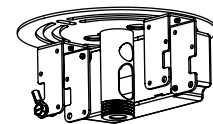
Tube Shade Short (3)



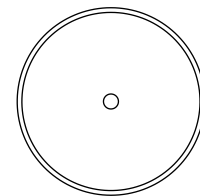
Tube Shade Long (3)



Crossbar Assembly



Canopy



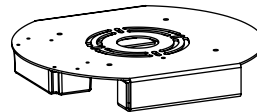
#8-32 Screws (2)



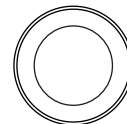
#6-32 Screws
1/4" long (12)



Hanging crossbar



Threaded collar



2 Port
Wagos (5)



5 Port
Wagos (2)



1/8 IP Nut (3)



Hanging plate



SAFETY INFORMATION

Only suitable for direct mounting on non-combustible surfaces.
Under no circumstances can Boden Pendants be mounted on normally flammable surfaces.
Suitable for dry or damp, indoor use only.
Maximum ambient temperature: 25° C

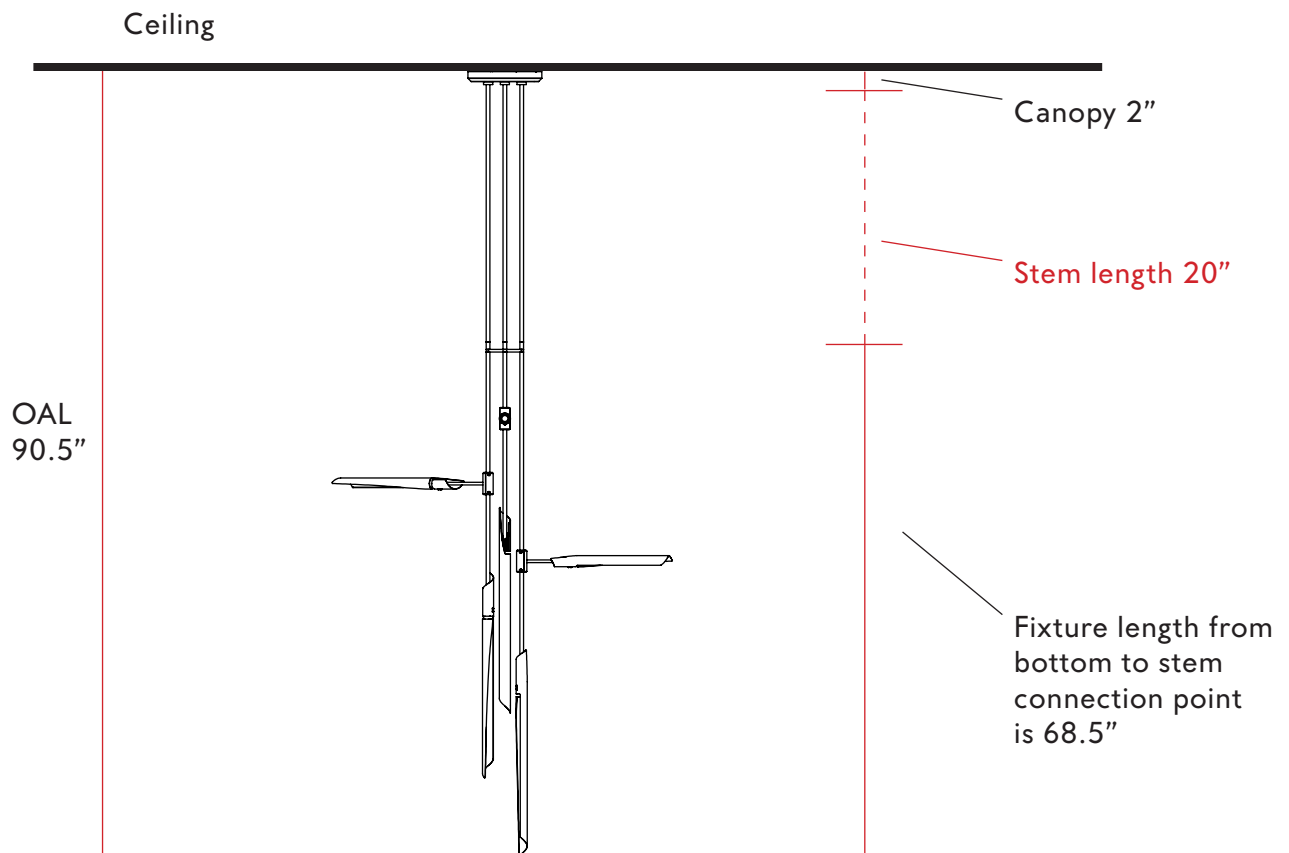
Stem and cover tube length adjustment

Note: Please contact a licensed electrician.

Example fixture only:

To measure length of stem, first determine overall length (OAL), subtract 2" for the canopy height and subtract the fixture height from the OAL. Fixture height is measured from bottom of the fixture to stem connection point. The resulting measurement is the final stem length.

Ex. The fixture below has an OAL of 90.5" and a fixture height of 68.5".
 $90.5'' \text{ OAL} - 2'' \text{ canopy} - 68.57'' \text{ fixture height} = 20'' \text{ stem}$

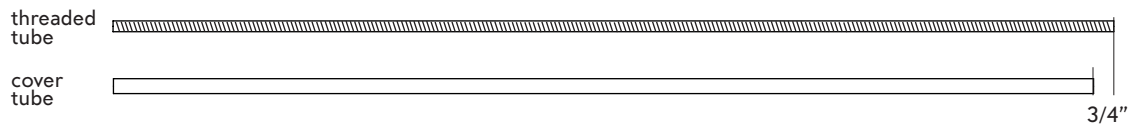


Stem and cover tube length adjustment

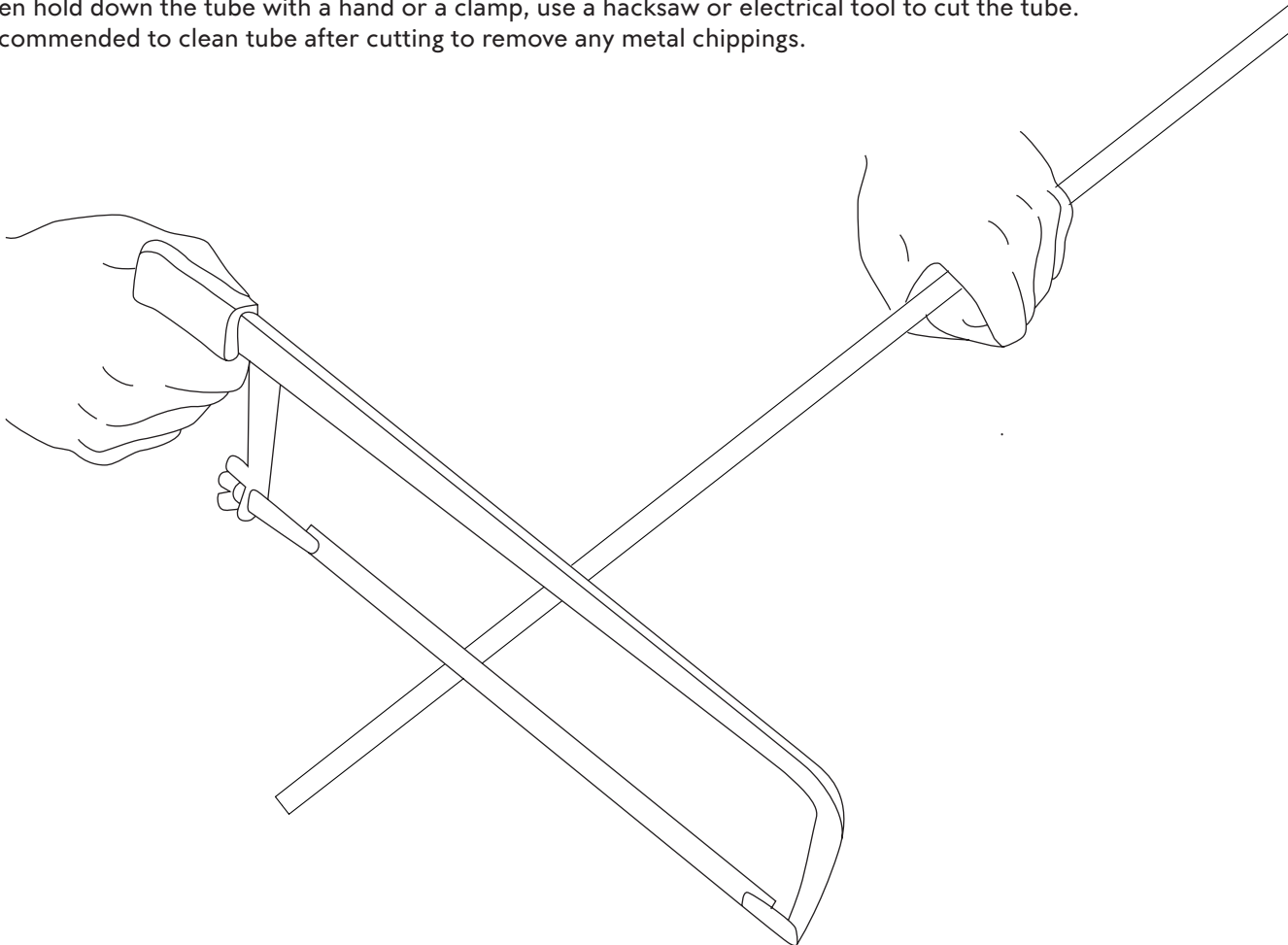
Note: Please contact a licensed electrician.

Example fixture only:

1. To customize the length of the provided stem, cut cover tube to desired length.
Then cut the inner threaded tube so that it remains 1.5" longer than the cover tube.



2. Mark the length of the tube required, using a marker or tape.
Then hold down the tube with a hand or a clamp, use a hacksaw or electrical tool to cut the tube.
Recommended to clean tube after cutting to remove any metal chippings.

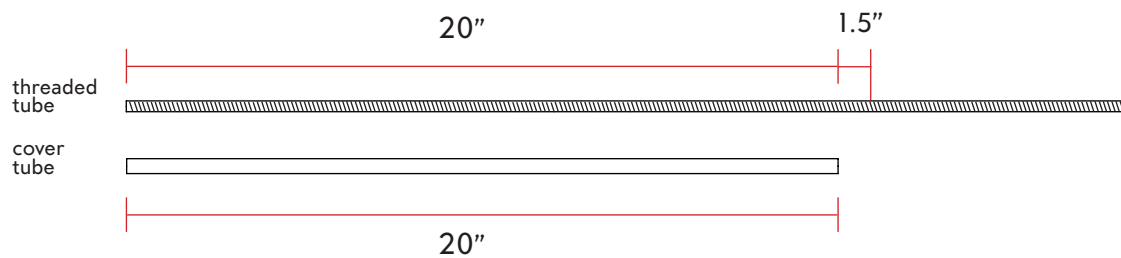


Stem and cover tube length adjustment

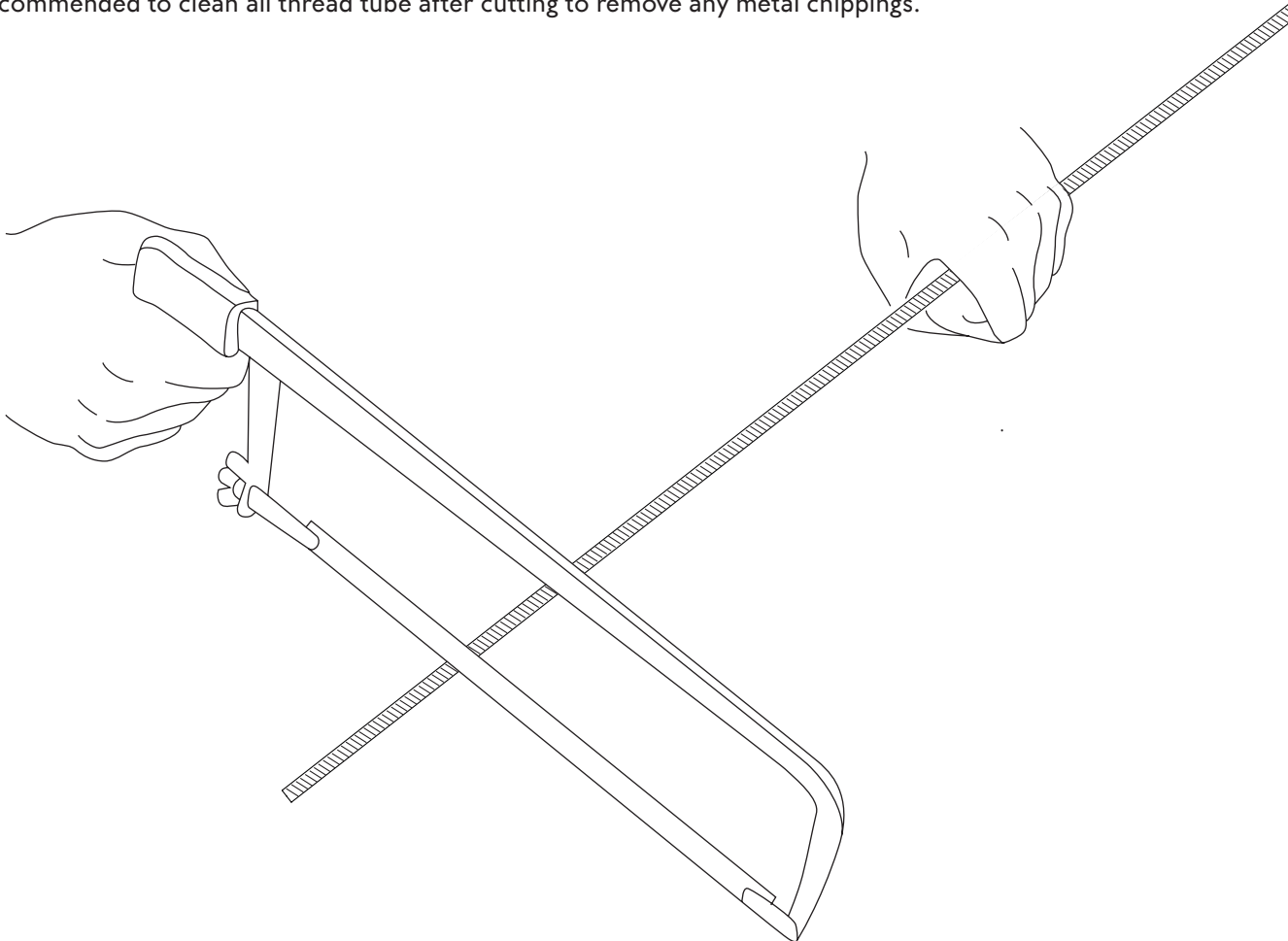
Note: Please contact a licensed electrician.

Example fixture only:

- Now that the cover tube is cut to 20", measure the all thread tube to be 21.5" long. And place a mark, with a marker or tape.



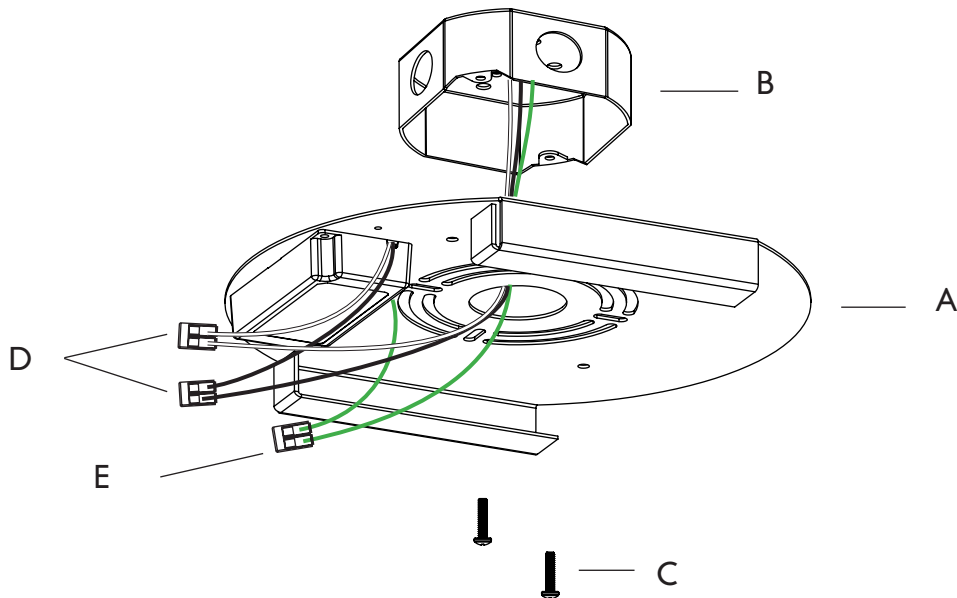
- Hold down the all thread with a hand or a clamp, use a hacksaw or electrical tool to cut the all thread tube. Recommended to clean all thread tube after cutting to remove any metal chippings.



CEILING INSTALLATION

Note: Please contact a licensed electrician.

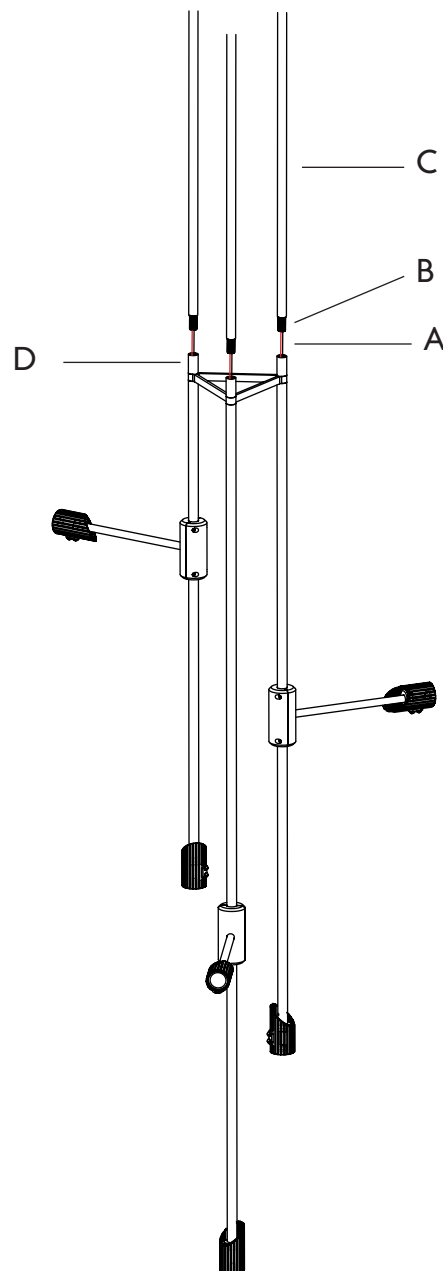
1. Install hanging crossbar (A) to junction box (B) using #8-32 screws (C). It is recommended to pull the main wires out so they are accessible while making the main connection.
2. Make the lead wire connection with the provided wago connectors (D). And connect the ground wire with the provided wago connector (E).



CEILING INSTALLATION

Note: Please contact a licensed electrician.

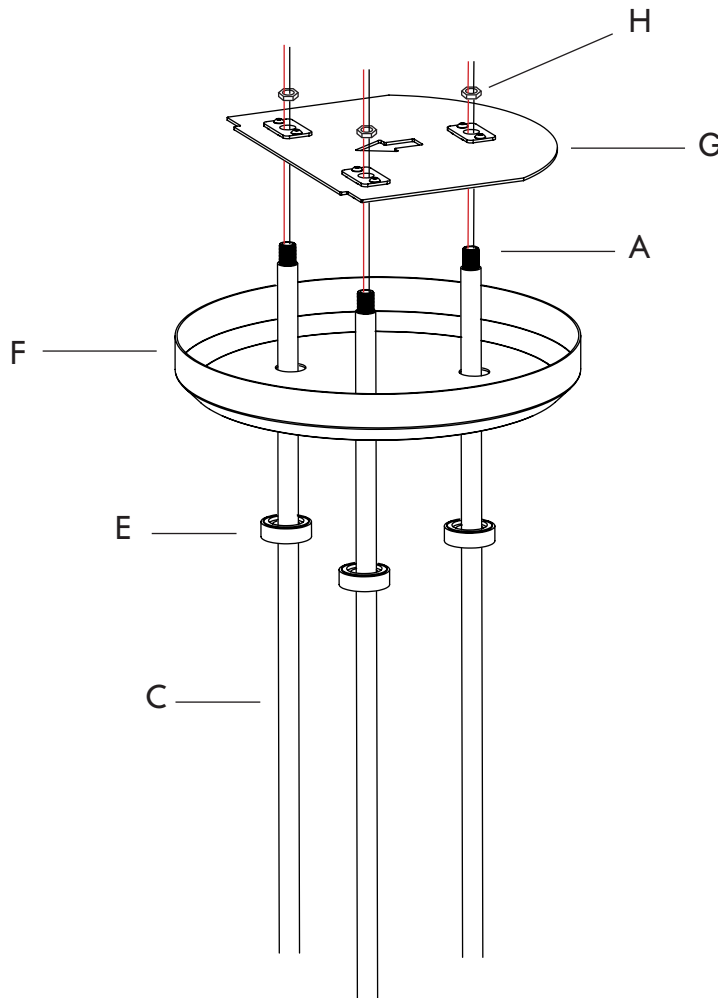
3. Feed the secondary wires (A) from the fixture through the threaded tube (B) and cover tube (C).
4. Screw in the threaded tube (A) into the stem coupler (D)
5. Repeat steps 1 and 2 for all three stems.



CEILING INSTALLATION

Note: Please contact a licensed electrician.

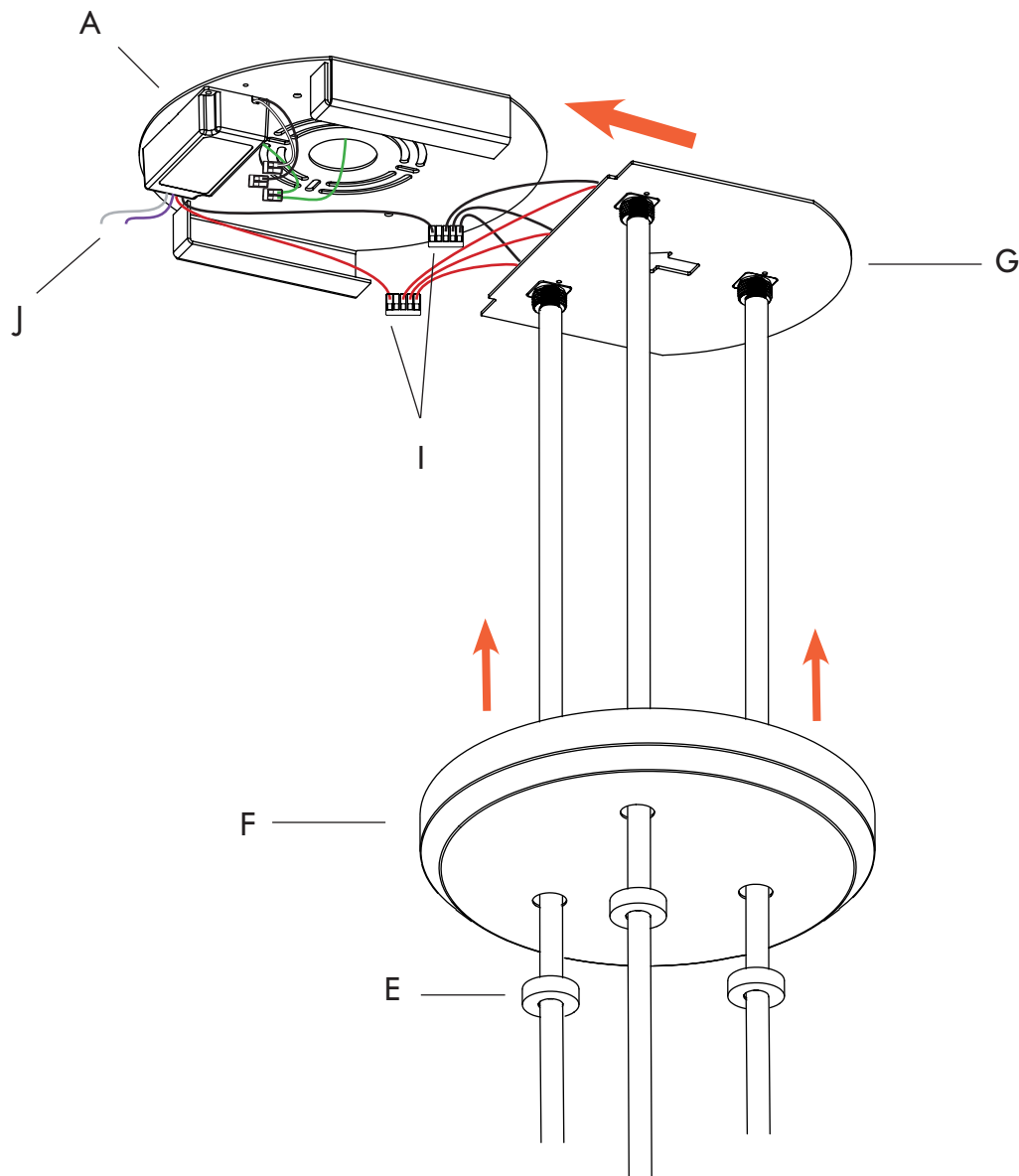
- Slide the threaded collar (E) and canopy (F) down the cover tube (C).
- Then feed the secondary wires through the hanging plate (G) and the 1/8 IP nut (H).
- Secure the hanging plate (G) to the stems using the 1/8 IP nuts (H)



CEILING INSTALLATION

Note: Please contact a licensed electrician.

9. Raise the fixture to the hanging crossbar (A), make the secondary wire connection using the provided 5 port wagos (I). Then slide the hanging plate (G) into the hanging crossbar (A), be sure to tuck all the wires inside. (Optional, connect the 0-10V dimming wires (J)).
10. Then, raise the canopy (F) and secure it in place with the three canopy nuts (E).



SHADE INSTALLATION

Note: Please contact a licensed electrician.

1. Install three short shades (A) on to three short horizontal arms (B).
Next, three long shades (C) onto vertical long arms (D).
Secure all six shades with two 1/4" long 6/32 screws (E) each.

