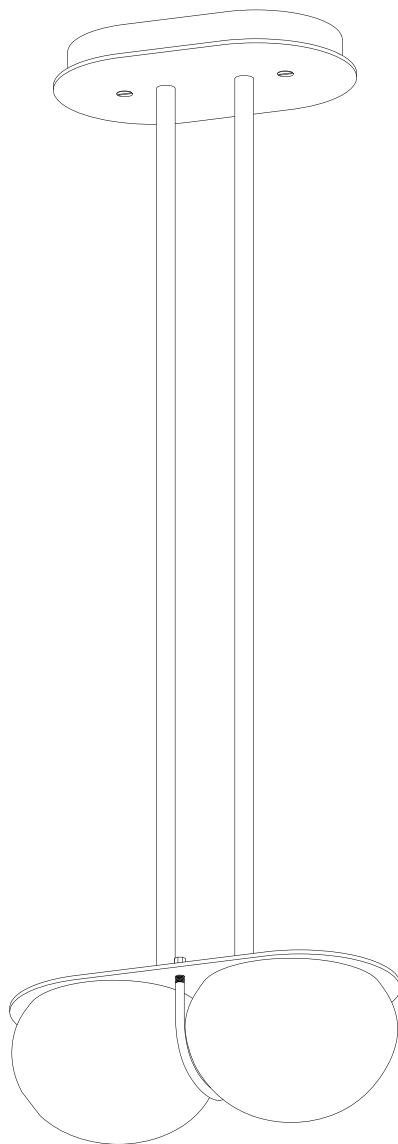




TWIN 4.0 PENDANT

Installation Instructions



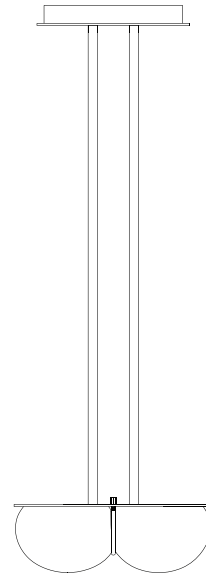


TWIN 4.0 PENDANT

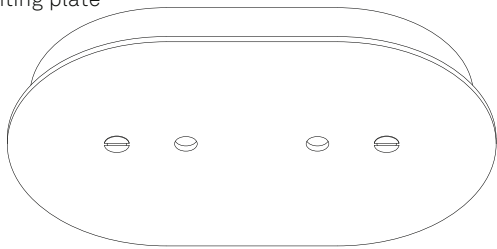
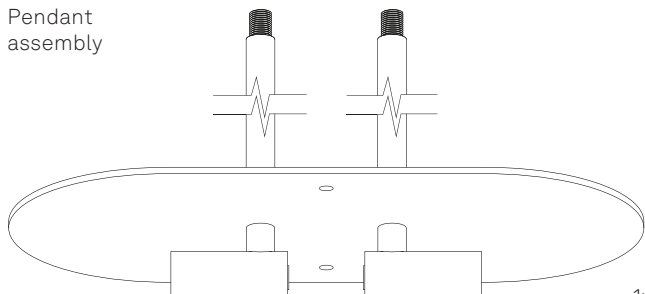
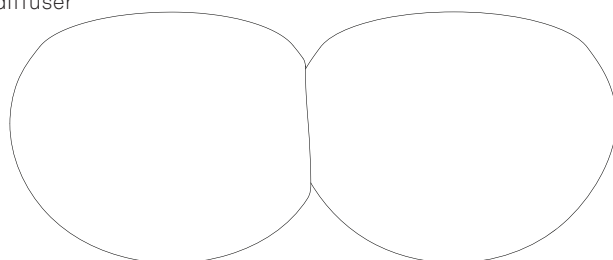
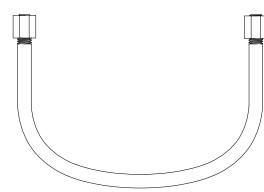

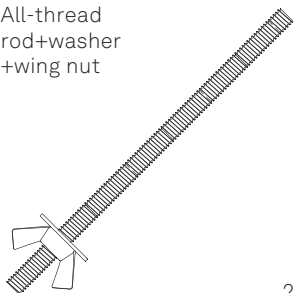
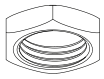
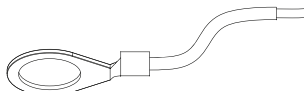

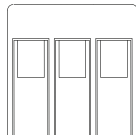
Congratulations on your purchase of a SkLO Twin 4.0 Pendant. This product must be installed in accordance with the applicable codes by a person familiar with the construction and operation of the product and the hazards involved, preferably a licensed electrician. Use a maximum 7W bulb.

When unpacking individual items and parts of the light fixture, make sure to lay them out on a protective surface that will neither mar the delicate metal finishes nor scratch the glass. Gloves (nitrile) are provided and must be worn during installation to avoid fingerprints on the finish of the exposed metal parts.

Your SkLO fixture will arrive with the hand-blown glass elements packed separately from the light fixture itself.



CONTENTS:

<p>Canopy +mounting plate</p> 	<p>Pendant assembly</p>  <p>1x</p>
<p>Glass diffuser</p> 	<p>Crossbar +nuts</p>  <p>1x</p> <p>Light bulb</p>  <p>1x</p> <p>2x</p>
<p>All-thread rod+washer +wing nut</p>  <p>2x</p> <p>Hexagonal nut</p>  <p>2x</p>	<p>Grounding lug</p>  <p>1x</p> <p>Lock washer</p>  <p>2x</p> <p>Wire connector</p>  <p>2x</p>

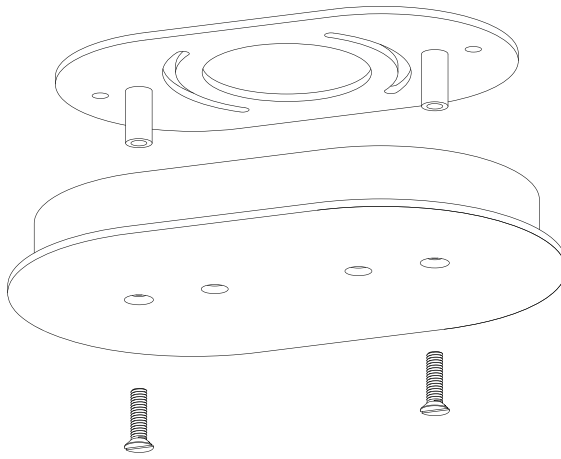


1. The mounting plate will arrive fastened to the canopy. Separate the mounting plate from the canopy by carefully removing the two machine screws and set these aside for use during final installation (Figure 1).
2. Feed the wires through the holes in canopy. Use supplied lock washers and nuts to attach the grounding lug to the canopy and secure the canopy to the threaded nipple at the top of each stem (Figure 2a).

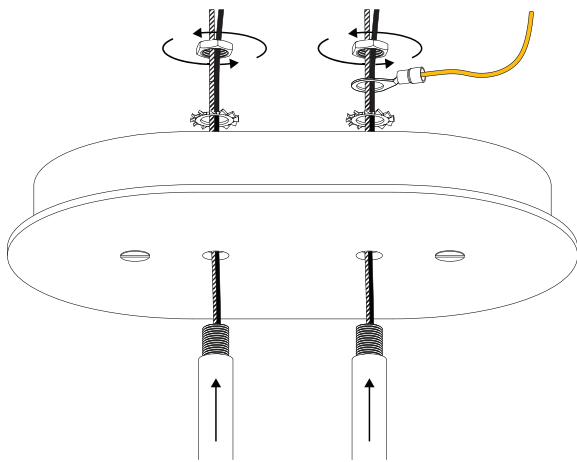
For lights with longer OAD lengths, the stems will be in multiple parts. Uncoil the electrical wiring at the top of the fixture and carefully pass the wires through each stem as you fasten them together. To connect the stems, first, attach one of the lengths of the stem to the fixture by threading the open female/ internally threaded end of the stem onto the exposed threaded nipple on the top of the fixture (Figure 2a). Then, attach the remaining stem lengths by threading the open end of each stem onto the exposed nipple of the other (Figure 2b).
3. Position the mounting plate over the recessed electrical box in a way that the central opening in the plate and the box are aligned. Determine the final desired position and orientation of the fixture. Install the mounting plate with 8/32 thread screws (not provided). This fixture requires an electrical box with available holes at 3 1/2" on center spacing. If a box with differently spaced threaded holes is present, additional parts may be required to install the fixture properly, such as a universal crossbar (not supplied) (Figure 3).
4. Fully thread the two provided nylon all-thread rods into the two threaded stand-offs on the mounting plate and slide the canopy up and over the all-thread rods such that each rod passes through the appropriate hole in the canopy. One at a time, slide a nylon washer up over both all-threads and thread on a wing nut so that the canopy can rest on the two washers. Level the canopy (Figure 4).
5. With the fixture composition in place, and while the fixture is still supported on the nylon all-thread rods, connect the exposed leads of the fixture to the exposed leads in the electrical box, following the wiring diagram and using the provided wire connectors. Attach the ground (TE) wires to ground (TE) wires of the light fixture, phase 1 (L1) to phase 1 (L1) of the light fixture, neutral (N) to neutral (N) of the light fixture (Figure 5). Please note the number and type of wire connectors may vary.
6. Raise the canopy and carefully supported fixture up the nylon all-thread rods all the way flush to the ceiling, taking care that no electrical cables or connections are exposed where the canopy meets the ceiling. Working one at a time, remove a nylon all-thread rod and insert one of the provided machine screws through the countersunk hole in the canopy into the corresponding threaded stand-off on the mounting plate above (Figure 6). Take great care when installing screws so that tools do not slip and scratch the canopy finish, or damage the exposed screw head slots.
7. Install the supplied LED light bulbs (7W Max) into the sockets (Figure 7).
8. Unwrap and lay out the glass diffuser. Carefully fit the glass diffuser over light bulbs so that it sits flush against the brass canopy surface. Secure the glass in place by inserting the crossbar into holes on each side of the canopy and securing the crossbar with provided nuts (Figure 8).



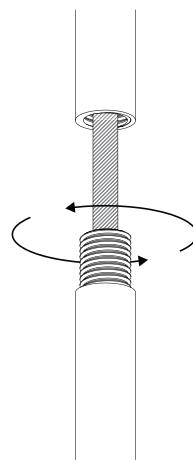
1.



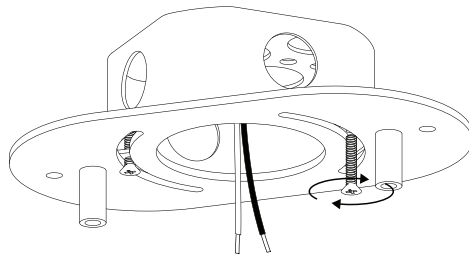
2a.



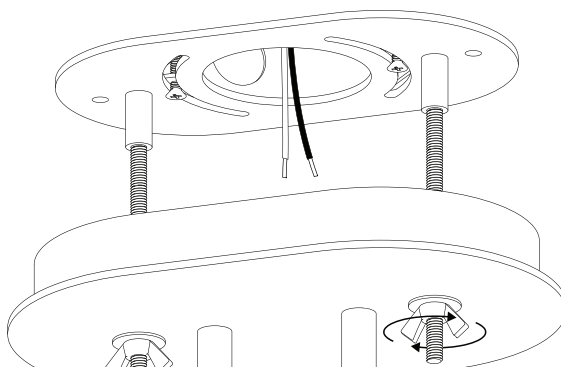
2b.



3.

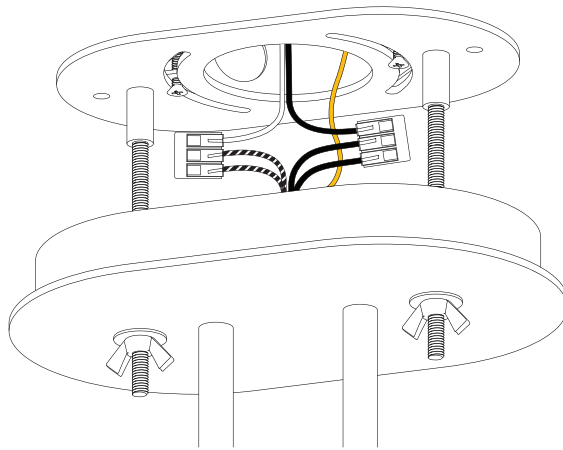


4.

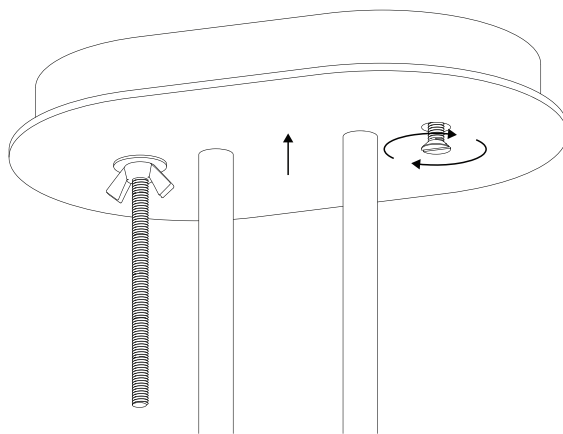




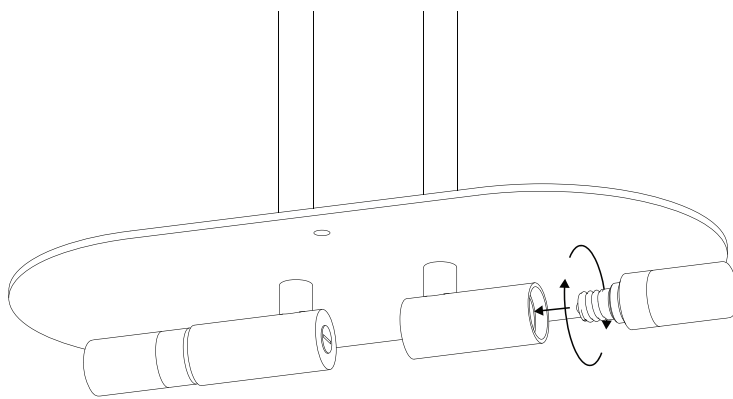
5.



6.



7.



8.

