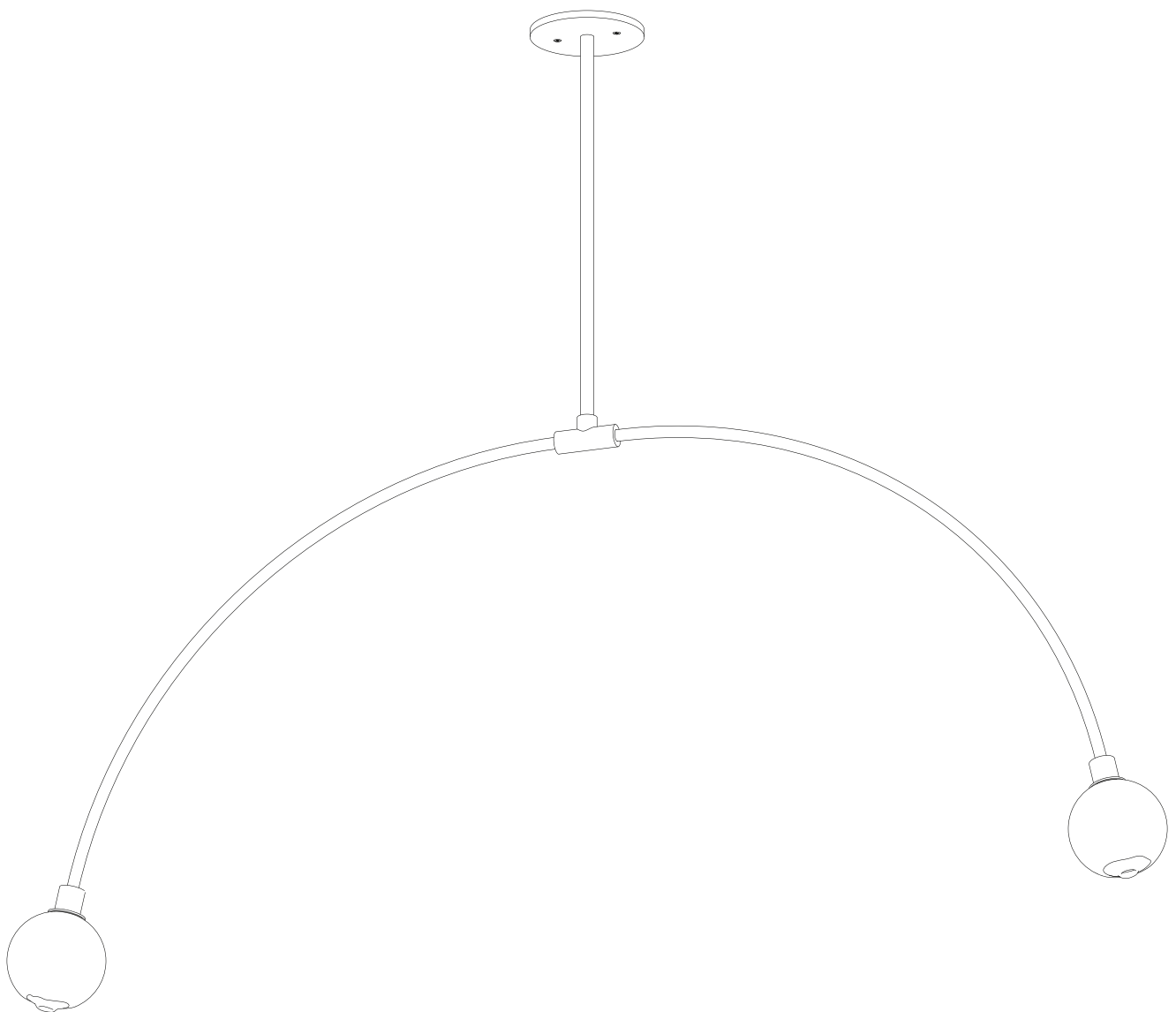




# BALANCE 2.0 PENDANT

## Installation Instructions



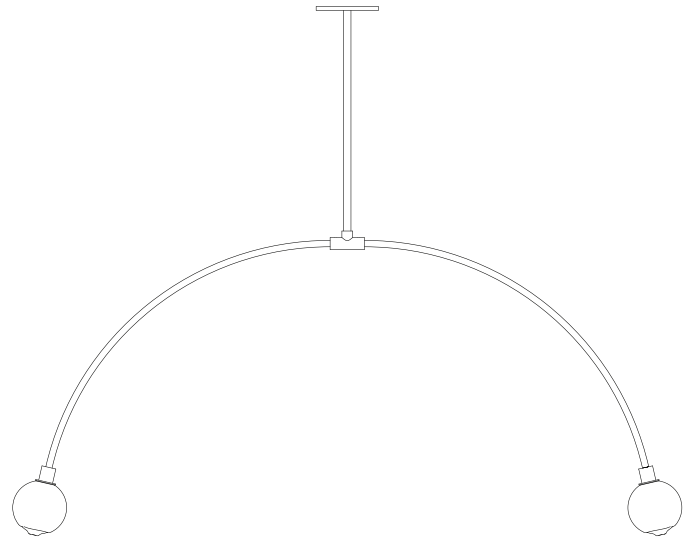


# BALANCE 2.0 PENDANT

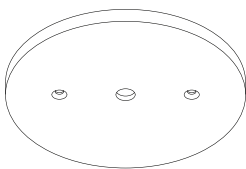
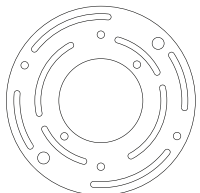
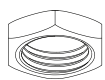
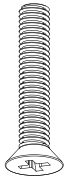
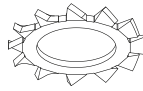
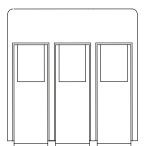

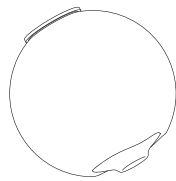
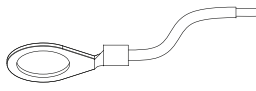
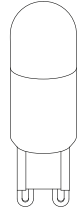
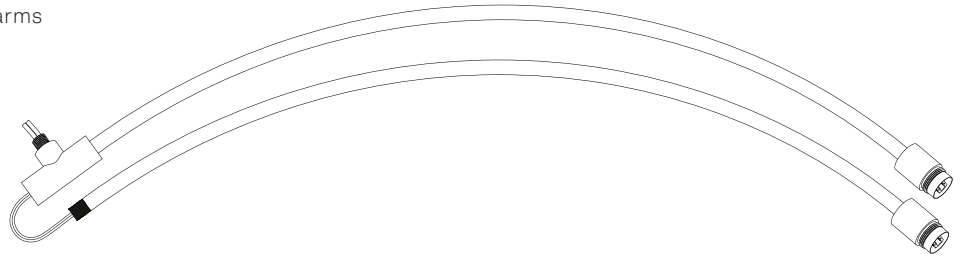
Congratulations on your purchase of a SkLO Balance 2.0 Pendant. This product must be installed in accordance with the applicable codes by a person familiar with the construction and operation of the product and the hazards involved, preferably a licensed electrician. Use a maximum 7W bulb.

**When unpacking individual items and parts of the light fixture, make sure to lay them out on a protective surface that will neither mar the delicate metal finishes nor scratch the glass. Gloves (nitrile) are provided and must be worn during installation to avoid fingerprints on the finish of the exposed metal parts.**

Your SkLO fixture will arrive with the hand-blown glass elements packed separately from the light fixture itself.



## CONTENTS:

Canopy	Universal crossbar	Hexagonal nut	Machine screw	Lock washer	Wire connector
					
	1x	1x	1x	2x	1x
Stem	Glass sphere	Grounding loop	Light bulb		
					
		2x	1x		2x
	Fixture arms				
					
	1x				1x

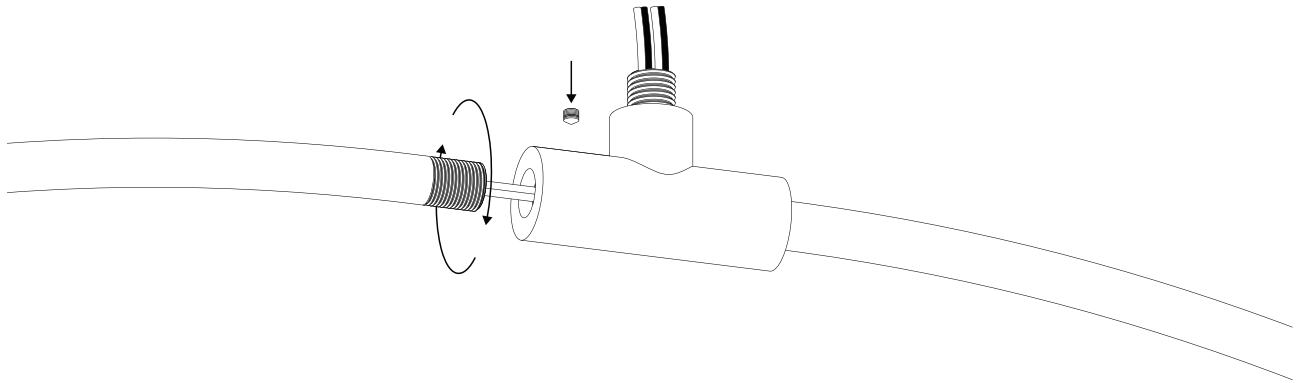


1. Attach the arm by carefully threading it into the “T” joint mount on the other arm. Take care that no electrical cables are caught between the threads. Thread the arm until tight and both arms are vertically aligned. Tighten the set screw to secure the connection of the arm and the “T” joint (Figure 1).
2. Carefully feed the exposed wires at the top of the “T” joint through the stem/canopy with the female / internal thread facing down. Attach the stem to the fixture by threading it onto the exposed nipple at the top of the fixture (Figure 2).

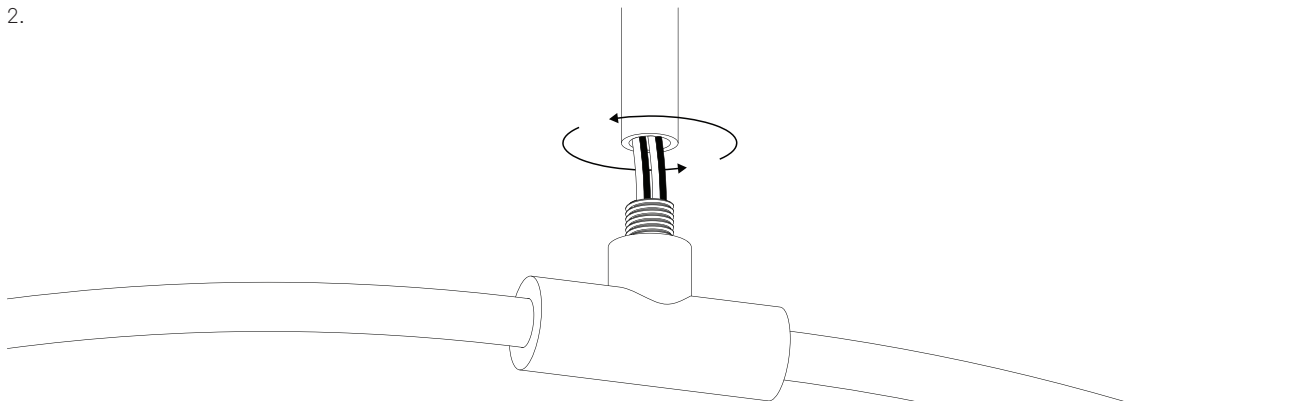
For lights with longer OAD lengths, the stem will be in multiple parts. Uncoil the electrical wiring at the top of the fixture and carefully pass the wires through each stem as you fasten them together. To connect the stems, first, attach one of the lengths of the stem to the fixture by threading the open female/ internally threaded end of the stem onto the exposed threaded nipple on the top of the fixture (Figure 2). Then, attach the remaining stem lengths by threading the open end of each stem onto the exposed nipple of the other (Figure 3).
3. Feed the wires through the central hole in the canopy. Use supplied lock washer and nut to attach the grounding loop to the canopy and secure the canopy to the threaded nipple at the top of the stem (Figure 4).
4. Install the universal crossbar (provided) to the recessed electrical box with the 8/32 thread screws so that the 8/32 threaded holes spaced 2 3/4” on-center on the crossbar match the desired orientation of the fixture based on the countersunk holes in the canopy (Figure 5).
5. Carefully supporting the fixture, connect the exposed leads of the fixture to the exposed leads in the electrical box, following the wiring diagram and using the provided wire connectors. Attach the ground (TE) wires to ground (TE) wires of the light fixture, phase 1 (L1) to phase 1 (L1) of the light fixture, neutral (N) to neutral (N) of the light fixture (Figure 6). Please note the number and type of wire connectors may vary.
6. The canopy installs directly to the crossbar. The back of the canopy is recessed to fit over the crossbar and to sit flush against the ceiling finish surface. Take care that no electrical cables or connections are exposed where the canopy meets the ceiling. Fasten the canopy by screwing the two provided 1” long 8/32 thread machine screws directly into the 8/32 threaded holes spaced 2 3/4” on-center on the crossbar through the countersunk holes provided in the canopy, making sure that the canopy sits flush against the ceiling finish surface (Figure 7). Take great care when installing machine screws so that tools do not slip and scratch the canopy finish, or damage the exposed screw head slots.
7. Install the supplied LED light bulbs (7W Max) into the sockets. This fixture uses G9 sockets and light bulbs. The G9 is a bi-pin socket. Light bulbs are to be inserted and removed by pushing the bulb straight into the socket, and by pulling it straight out. The bulb, when inserted, should have a tight fit. Do not force the bulb. If there is resistance, check to make sure nothing inside the socket is bent or obstructing the bulb. Always turn off the power to the fixture when changing the bulb(s). Unwrap and lay out two glass diffusers (spheres). Carefully thread a glass diffuser onto each socket (Figure 8). Thread on the glass diffusers just until they are visually tight – do not overtighten.



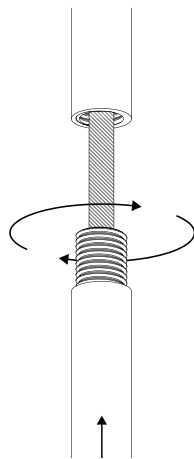
1.



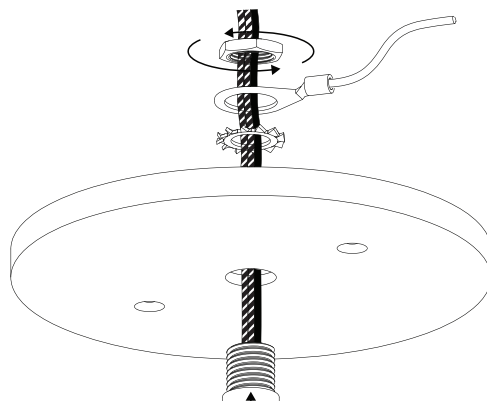
2.



3.



4.



**SkLO**

twentieth

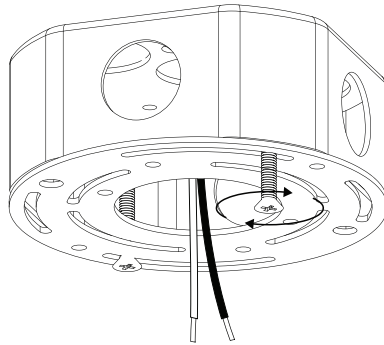
sales@twentieth.net

323.904.1200

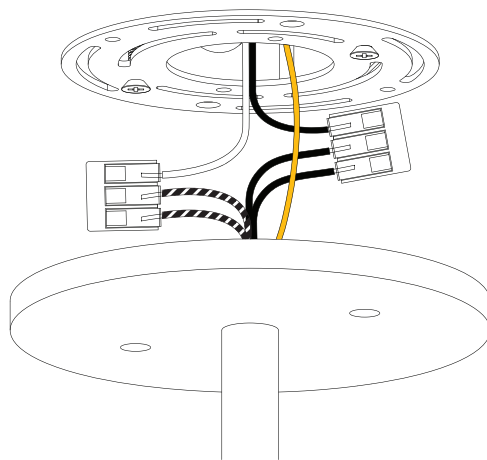
www.twentieth.net



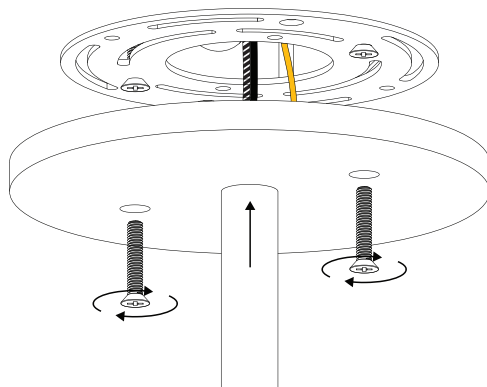
5.



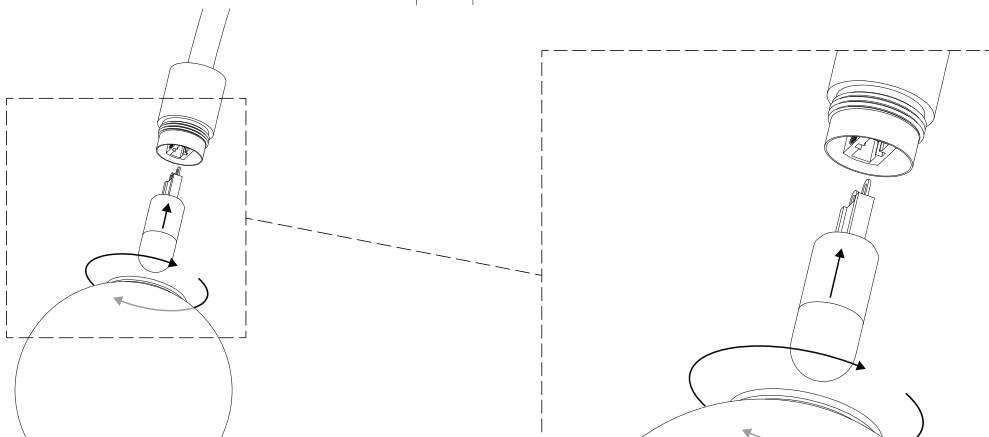
6.



7.



8.



**SKLO**

twentieth

sales@twentieth.net

323.904.1200

www.twentieth.net