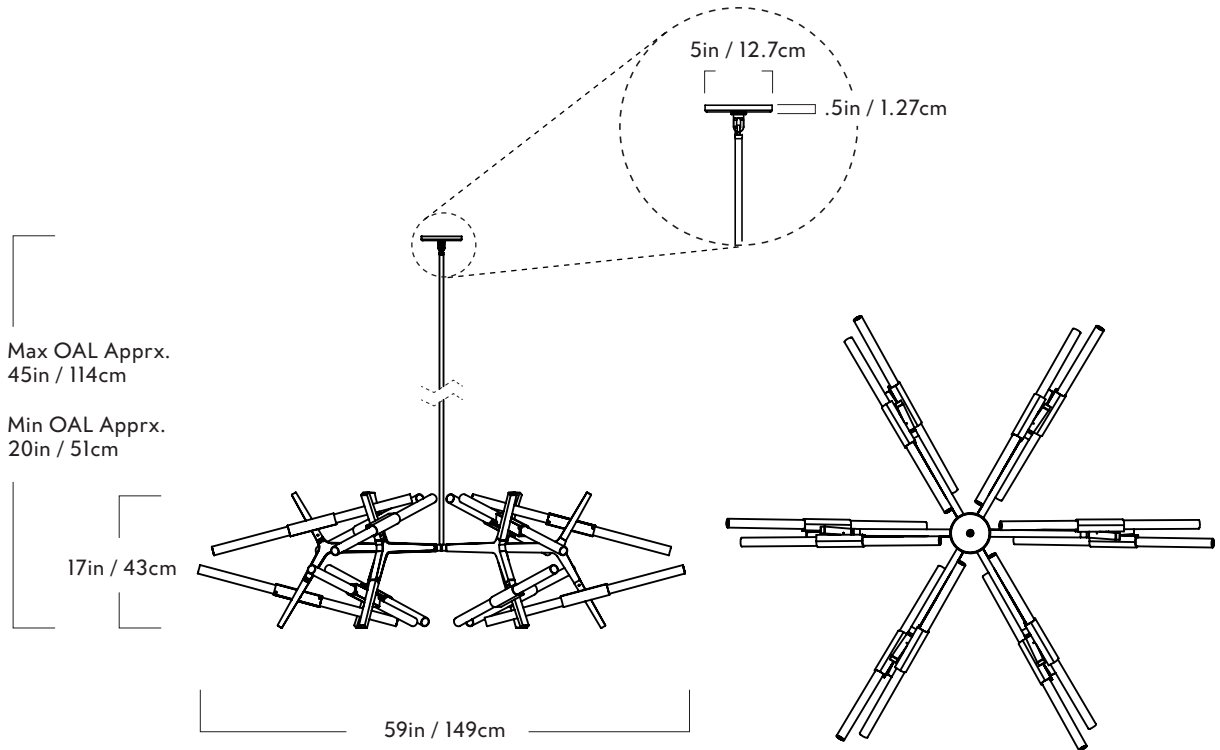


Roll & Hill



Astral Agnes

03- 24 Lights

Series
Astral Agnes

Product
03- 24 Lights

Dimensions
L 59in / 149cm x W 59in / 149cm x
H 17in / 43cm

Weights
20lb / 9kg

Materials
Machined aluminum, glass

Finishes / Colors
Black, bronze, polished nickel,
brushed brass

Suspension
1/2-inch aluminum stem in matching
metal finish. 35-inch length included
with lamp. 96-inch length available for
additional cost. Stem length can be
adjusted on site.

Canopy
5-inch canopy in matching metal finish

Certifications
UL, cUL (120V)
CE, CB (240V)

R&H LED Bulb (120V)
Socket: G9
Bulb: 24 x 3 Watt LED
Wattage: 72 Watts
Lumens: 2400 Lumens est.
Color Temperature: 2700K
CRI: 90+
Bulb Lifetime: 50,000 Hours est.
Dimming: TRIAC, ELV

R&H LED Bulb (240V)
Socket: G9
Bulb: 24 x 3 Watt LED
Wattage: 72 Watts
Lumens: 2400 Lumens est.
Color Temperature: 2700K
CRI: 90+
Bulb Lifetime: 50,000 Hours est.
Dimming: TRIAC, ELV

twentieth

sales@twentieth.net 323.904.1200 www.twentieth.net