

WELLES

by Michelle Gerson

INSTALLATION GUIDE

GABRIEL SCOTT

twentieth

sales@twentieth.net
323.904.1200
www.twentieth.net

- Certified electrician recommended for electrical installation.
- Minimum 2 people recommended for installation.
- Terminal Block not included. Installation may require advice from a qualified person.
- Junction box rated for minimum of 100lbs or structural blocking required to support fixture.
- Structural blocking required at monopoint locations, adequate drywall plugs may be substituted.
- For all LED fixtures, use only with class 2 power unit.
- The light source contained in this luminaire shall only be replaced by the manufacturer or his service agent or a similar qualified person. Contact manufacturer for service.
- For controllable luminaires, the classification of insulation that has been maintained between LV supply and control conductors shall be provided: basic insulation, reinforced insulation etc.

PLEASE READ THIS BEFORE INSTALLATION:

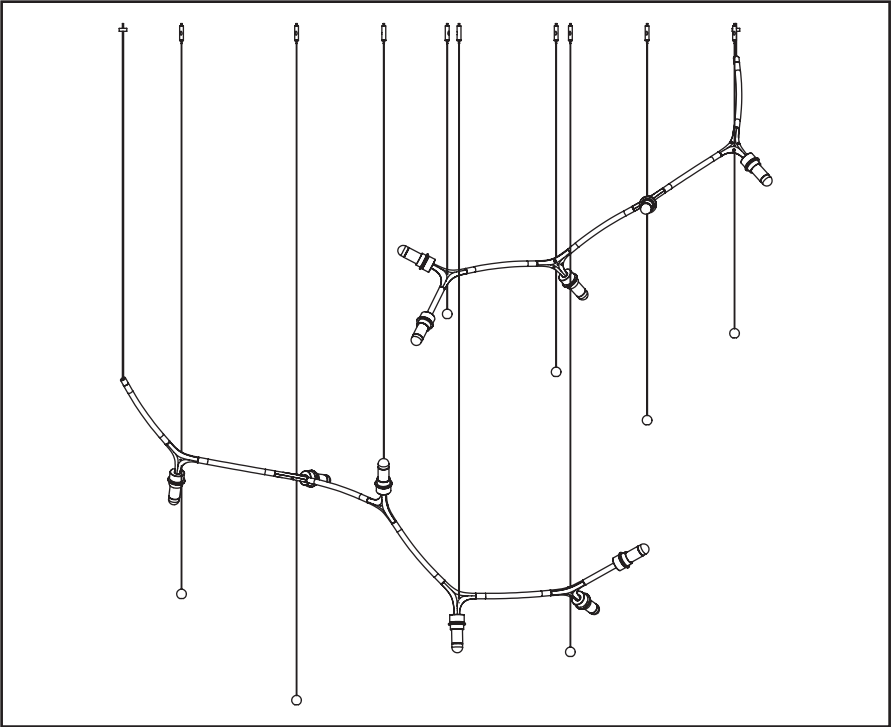
IMPORTANT: Please provide email confirmation that your order and its related components have been received in their entirety and in good condition. Failure to do so within 7 days of delivery will waive all product warranties.

+1 (212) 837-2923
support@gabriel-scott.com

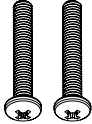
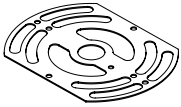
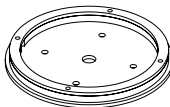
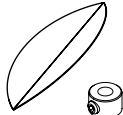

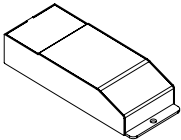
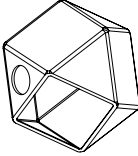



FILE#: E488971
FILE#: E503097

FIXTURE

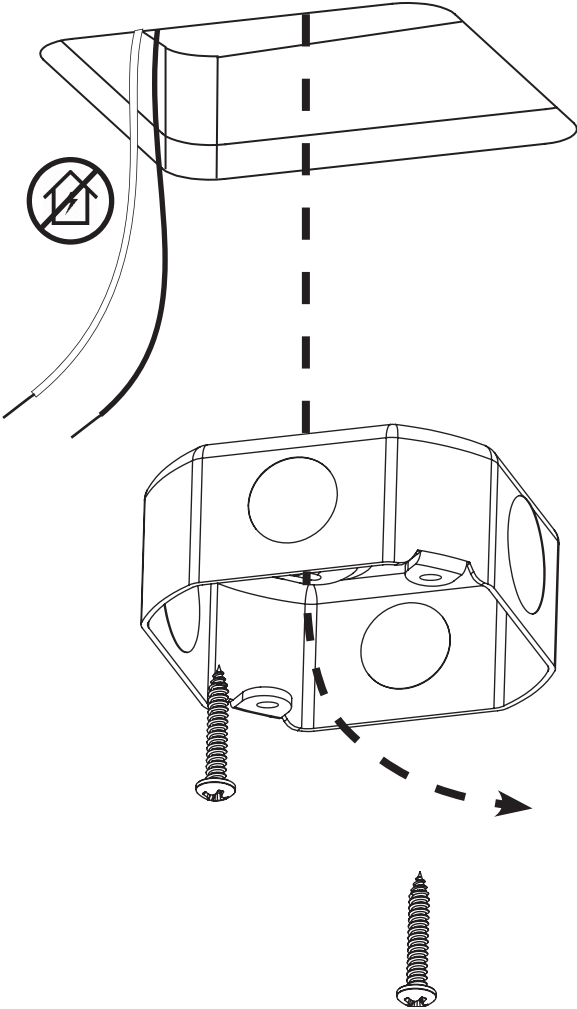


ALSO SHIPPED

			
<p>#8-32 screws x 8</p>	<p>Universal cross bar x 2</p>	<p>Canopy x 2</p>	<p>Large/Small leaves</p>
			
<p>Monopoints x 9</p>	<p>LED driver x 2</p>	<p>Glass volumes x 11</p>	<p>Hanging plan x 1</p>

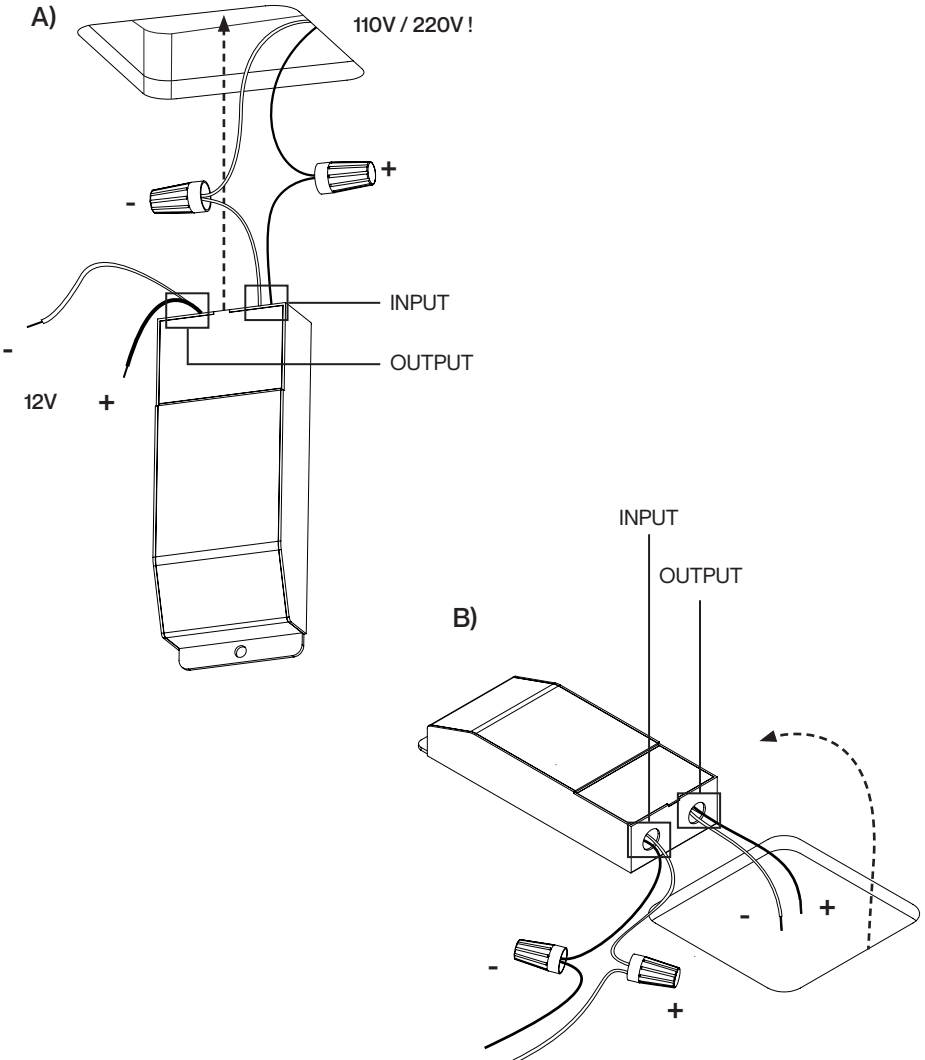
01.

Cut power and remove existing junction box.



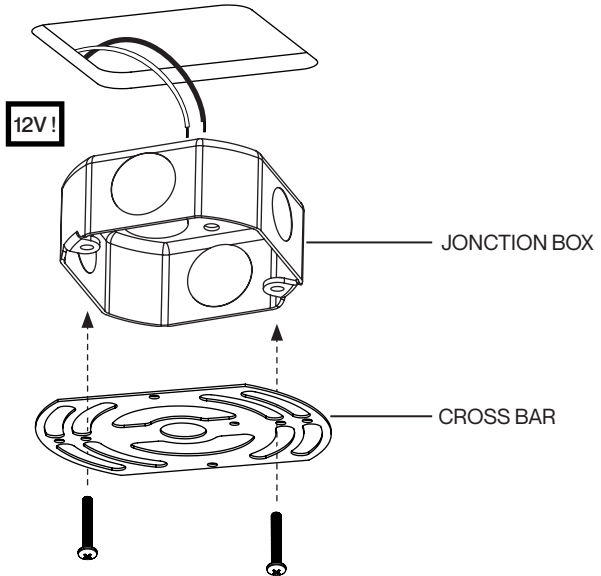
02.

Using wire terminals, connect the LED driver to the main power source. Secure the LED driver in remote location by also making sure to keep access to the output wires. Install the driver within 100ft of the fixture. Refer to the driver documentation for more informations.

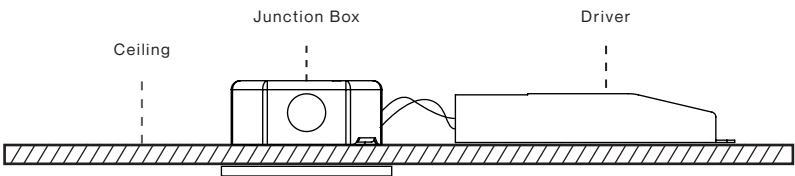


03.

Insert the junction box back in the ceiling hole. Install the universal cross bar to the ceiling with the appropriate screws.

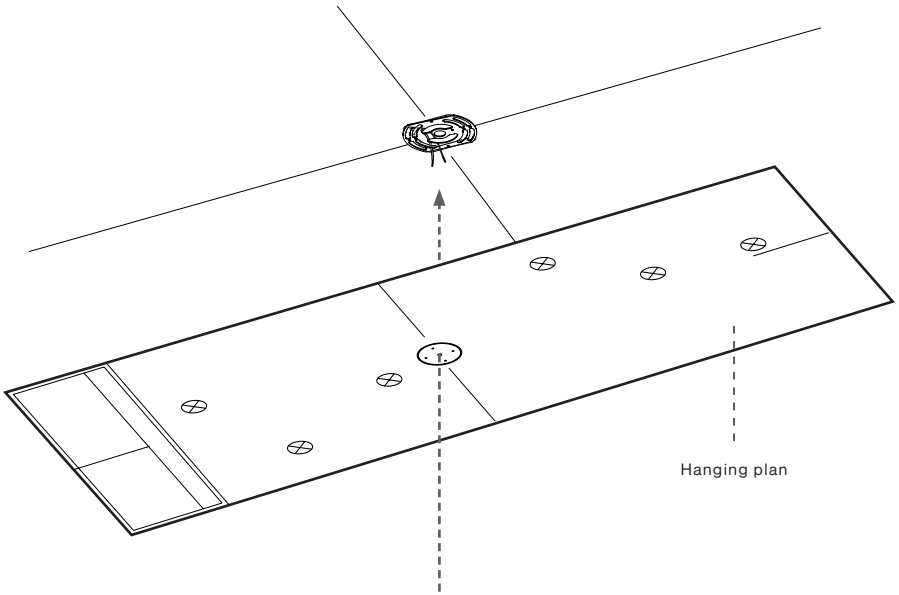


Ceiling Elevation

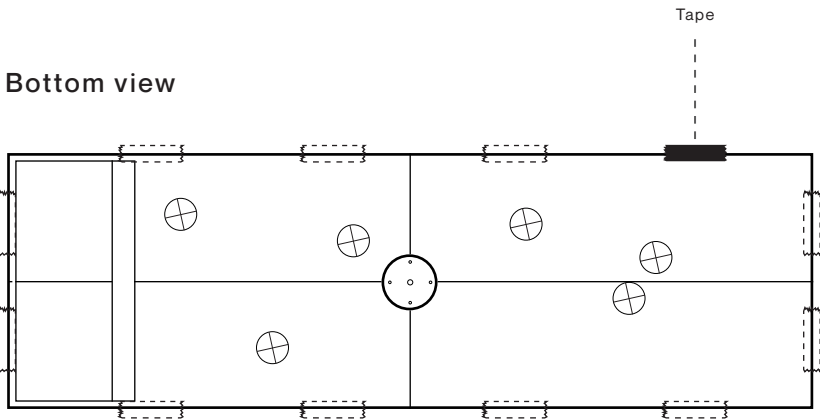


04.

Tape the provided hanging plan on the ceiling. Make sure to align the illustrated canopy to the junction box or main power source. To this effect, you can use the alignment marks on the plan. Note: Once in place, there should be no folds on the hanging plan.



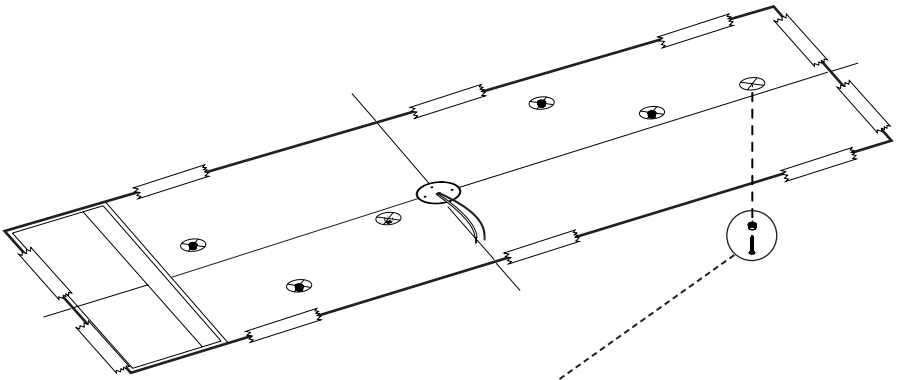
Bottom view



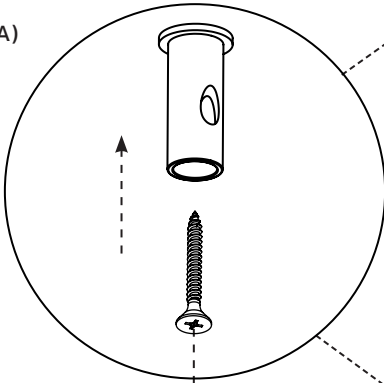
05.

Install all male monopoints at the cross indicated on the template.

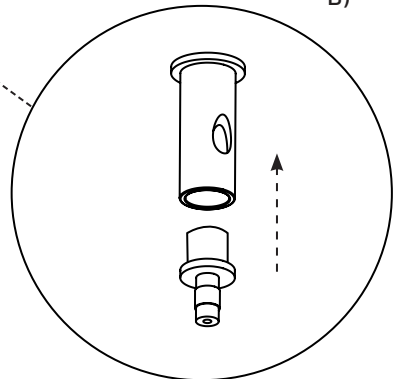
Note: Each anchor point should be capable of supporting 25lbs and therefore adequate blocking or toggle bolts are required for proper support at the location of each male monopoint.



A)



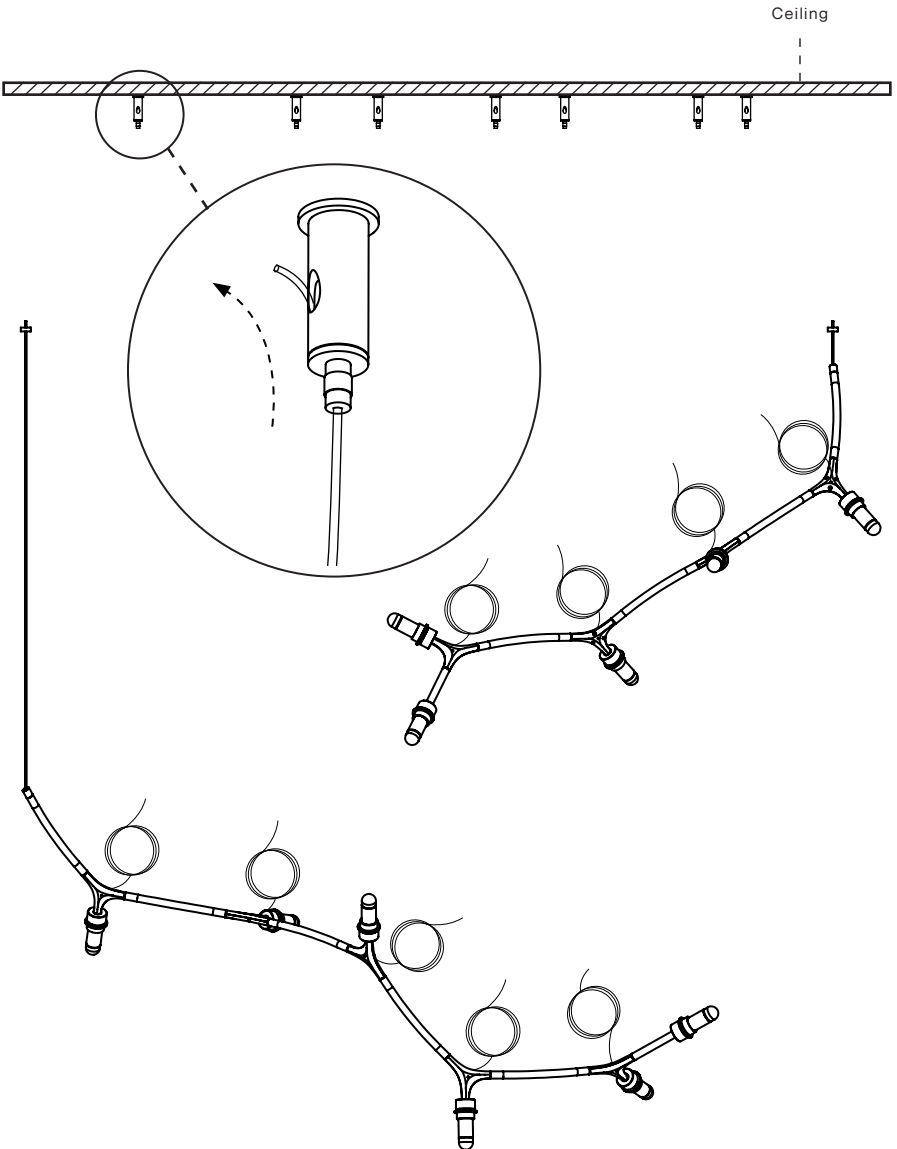
B)



USE THE SCREWS
AND/OR ANCHORS
ADAPTED TO YOUR
CEILING STRUCTURE.

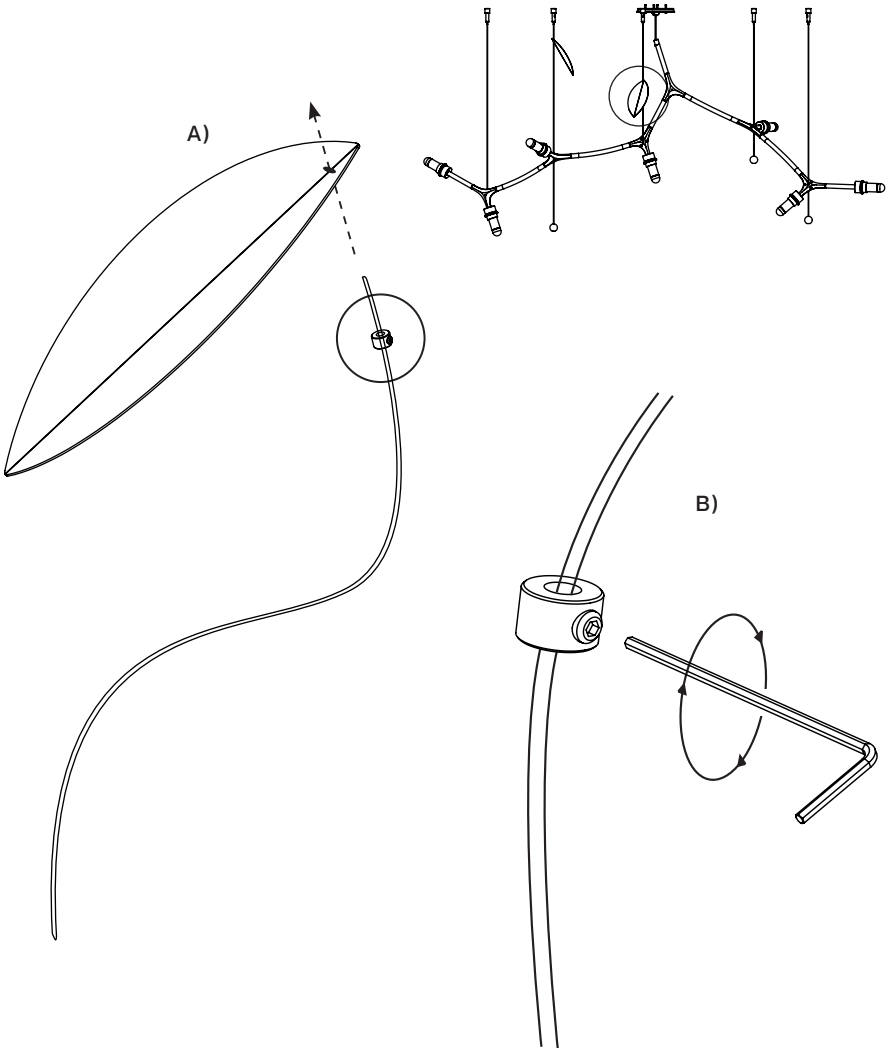
06.

Supporting the chandelier with at least two (2) other people, screw the male monopoints into the female monopoints on the ceiling. Note: start with the top fixture.



07.

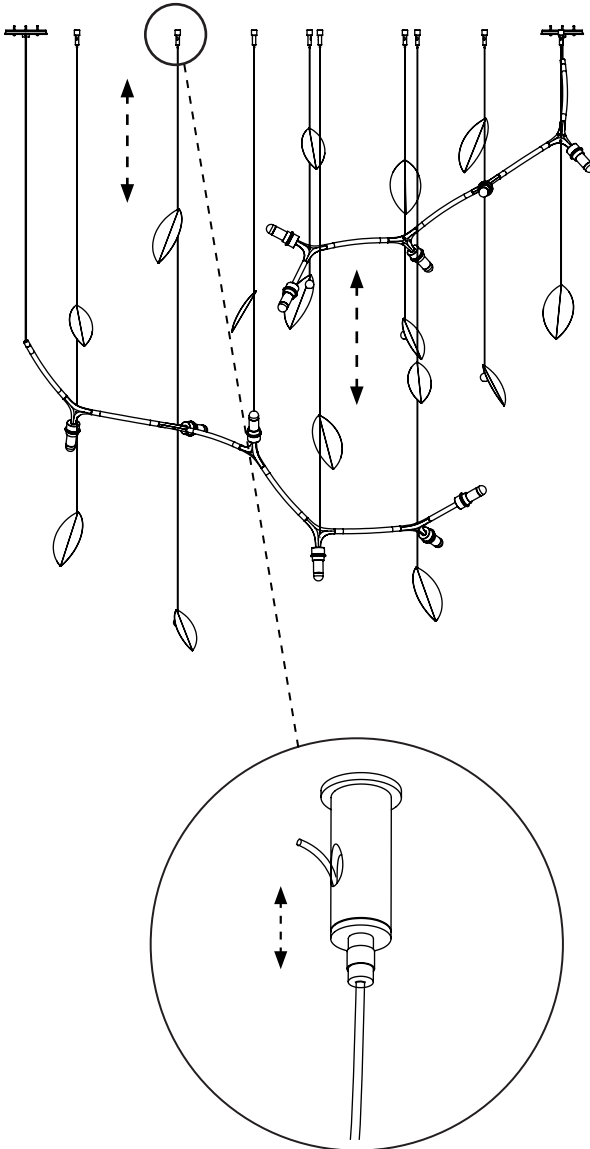
For all leaves above fixtures: Pass the stainless cable through the small silver strain relief. Place it to the lowest height above fixture suggested on the cover image and tight the set screw with the appropriate allen key. Then, pass the cable through the appropriate leaf and let the leaf hang on the strain relief.





08.

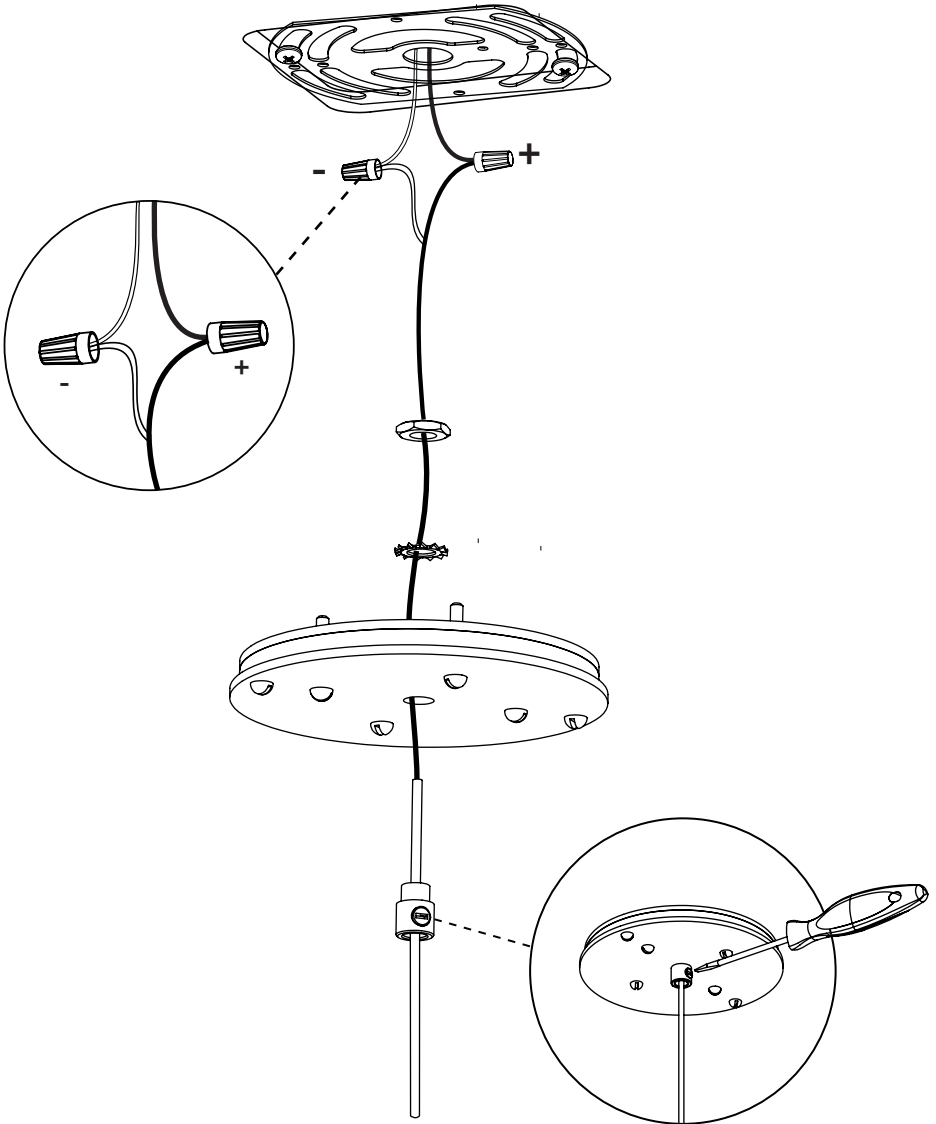
Adjust chandelier height as needed using the cable griplocks.





09.

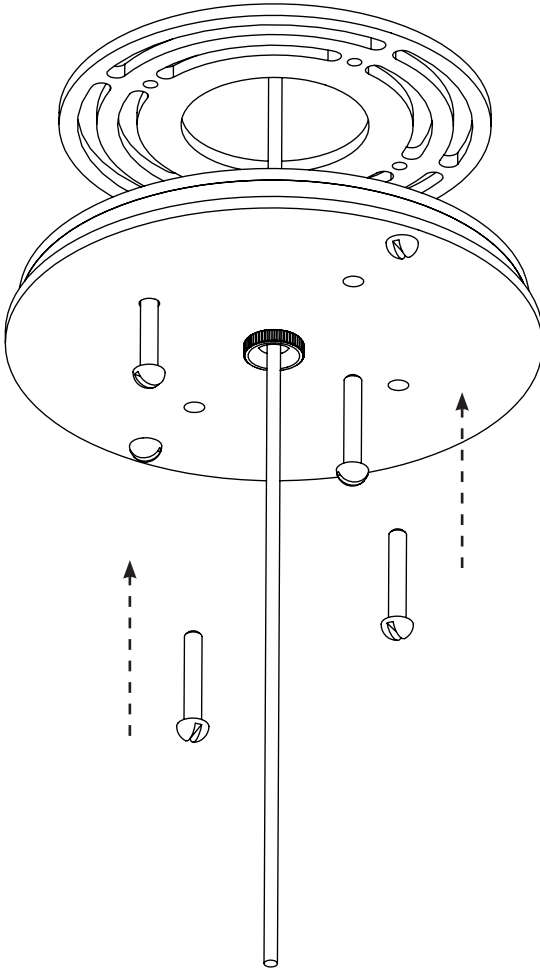
Wire the chandelier to the LED driver.





10.

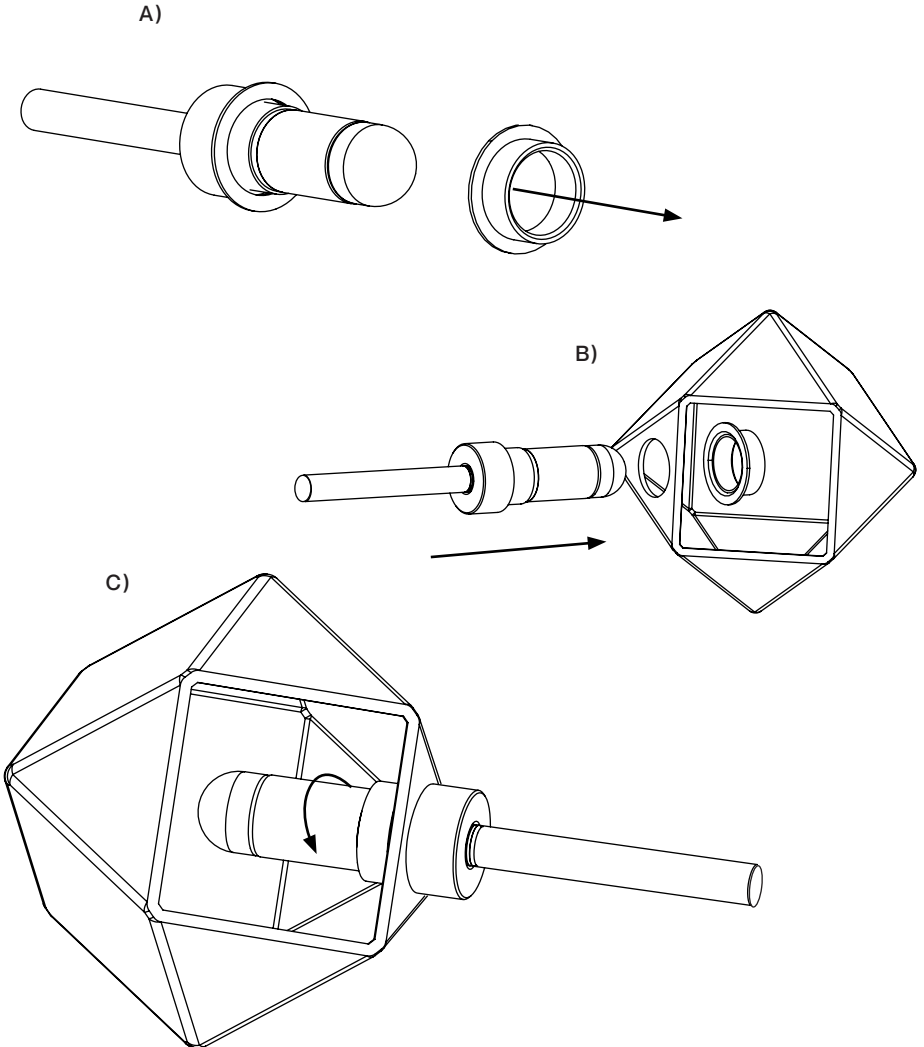
Using provided screws, install the fixture to the universal cross bar.

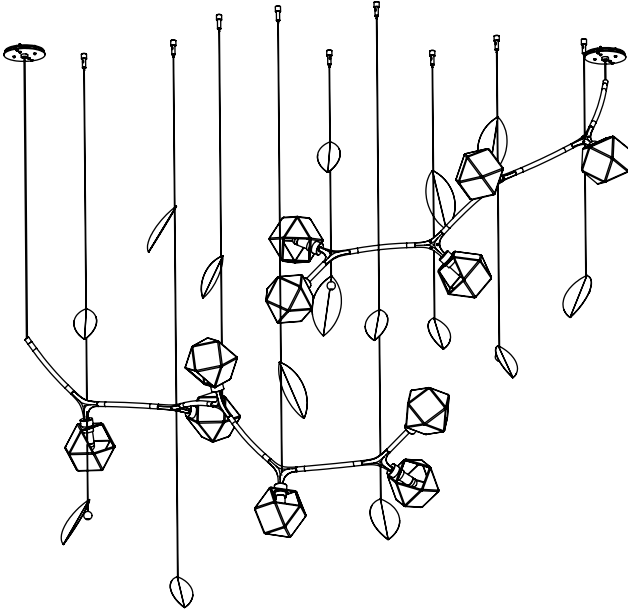


11.

Install the glass globes by unscrewing the retaining ring and carefully slide the globes in place. Screw the retaining ring back firmly.

Optional: Orient the glass opening so that it faces away from the line of sight.





**You have successfully installed your Welles Gerson
chandelier!**

For other questions, please consult our website:
www.gabriel-scott.com