



GABRIEL SCOTT

EST. 2012



WELLES
Double Blown
Glass Desk Lamp

in Satin Copper
& Alabaster White

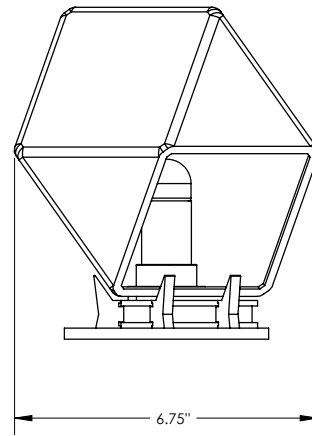
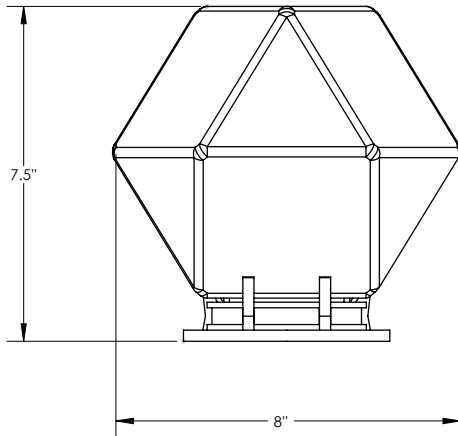
An intricate design process in which colored glass is blown within a clear glass envelope, the Welles double blown glass diffuses a soft light filtered through its translucent facets. A polygonal shape with polished sharp edges, the Welles is a glistening gem that cascades as a single pendant or as a body of staggering pendants.

The precious Welles Double Blown Glass is available in smoked gray or alabaster white, and can be mixed or matched with its complementary black, nickel, brass, copper and bronze metal.

All Gabriel Scott pieces are handmade in Canada.

twentieth

sales@twentieth.net
323.904.1200
www.twentieth.net



SPECIFICATIONS

Standard Finishes:

Blown Glass: Alabaster White or Smoked Gray

Metal: Blackened Steel, Satin Nickel,
Satin Brass, Satin Copper or Satin Bronze

Specifications:

Dimensions: 8" x 6.75" x 7.5" H

20 cm x 17 cm D x 19 cm H

Weight: 5 lbs / 2.27 kg

Light Bulb: E14 BULB 2W cct: 2200K - 120V
E14 BULB 2W cct: 2200K - 220V

Total Wattage (nominal): 3.1 w
Lumens (total): 680 lm

Custom finishes available upon inquiry.

Made and assembled in Canada. Item is UL & CE listed.

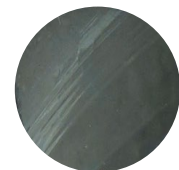


STANDARD FINISHES

Double Blown Glass:

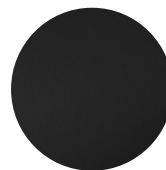


Alabaster White

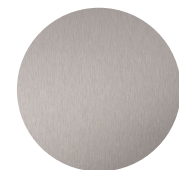


Smoked Gray

Metal:



Blackened Steel



Satin Nickel



Satin Brass



Satin Copper



Satin Bronze

twentieth

sales@twentieth.net
323.904.1200
www.twentieth.net

LIGHT BULB

E14 2W 2200K

2 WATT | 120 LUMENS | 2200K

Classic, smooth dimmable LED filament lamp. This lamp uses 2 Watts of power and achieves 120 Lumens at a CRI of 95. It has an IP54 rating.



65 mm

28 mm

Lamp:

• Shape	ST28
• Materials	Brass cap, glass
• Finish	Iron tinted
• Beam angle	360°
• Base	E14
• Weight	0.01 kg
• Working temperature	-5C to 40C
• Warm up time	Instant
• Warranty	3 years
• Input Voltage	220V-240V
• Glare control	We use up to 8 LED filaments in our lamps. This, together with a thicker phosphor coating, reduces and controls glare, resulting in an even, more comfortable light.

Performance:

• CRI (colour rendering index)	95
• Lamp lumen output	120
• Luminaire circuits per watt (LM/W)	65
• Lifetime (TM-21) (hours)	30,000
• Colour Temperature	2200K
• Power factor	0.9
• Dimmable	Yes
• Dimming type	Trailing edge
• Recommended EU Dimmer	Varilight - V-pro JXP401 (X denotes faceplate color)

twentieth

sales@twentieth.net
323.904.1200
www.twentieth.net