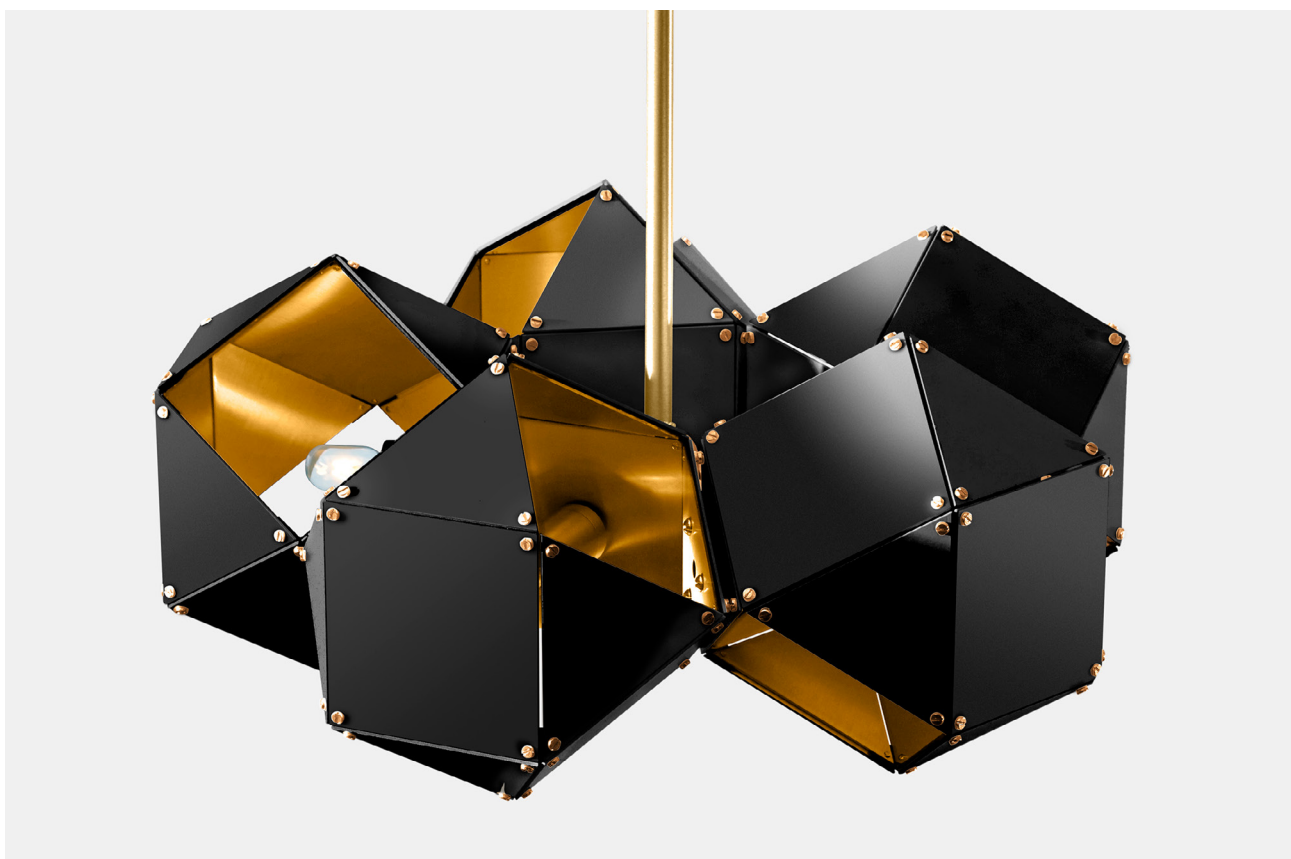




GABRIEL SCOTT

EST. 2012



WELLES
Steel 5-Spoke
Pendant

in Blackened Steel
& Satin Brass

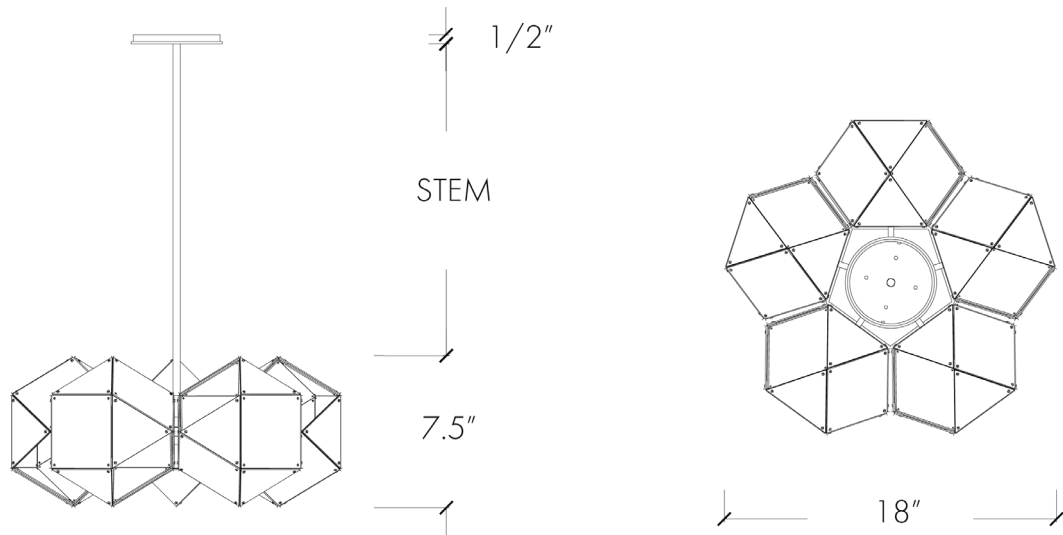
A fixture of metallic proportion, Gabriel Scott's signature Welles is a modern piece that showcases expert artistry. Hologed metallic polygons branch out into a modular system of interconnected configurations for a stunning optical illusion. With its endless possibilities, the Welles floats in the air emitting a cloud of soft light through its multifaceted, sculpturally innovative silhouette.

The Welles is scaled to various shapes and sizes and can be assembled to horizontal, vertical, or diametric applications. The Welles has been developed to be highly customizable. Allow our in-house design team to assist in creating the perfect silhouette to match your project's needs. Available in black or white steel, satin brass, satin copper, or satin nickel.

All Gabriel Scott pieces are handmade in Canada.

twentieth

sales@twentieth.net
323.904.1200
www.twentieth.net



SPECIFICATIONS

Standard Finishes:

Metal: Blackened Steel, White Steel, Satin Nickel, Satin Brass or Satin Copper

Specifications:

Dimensions: 18" x 18" x 7.5" H + Stem

46 cm x 46 cm x 19 cm + Stem

Weight: 25 lbs / 11.34 kg

Light Source: 12V 6 Watt LED (included)

LED Drivers: CCT13W500 - 120V
UVC1225TD - 220V

Standard Lead time: 12 - 14 weeks

Stems & Canopies:

Standard Stem Lengths: 6", 12", 18" or 24"

15 cm, 31 cm, 46 cm or 61 cm

Additional Stem Lengths: 30", 36", 42" or 48"

76 cm, 91 cm, 107 cm or 122 cm
(up-charge applies)

Standard Canopy: 5" x 0.5" / 12 cm x 1.3 cm

Deep Canopy: Dimensions on request.

Custom finishes available upon inquiry.

Made and assembled in Canada. Item is UL & CE listed.



FILE#: E488971
FILE#: E503097

STANDARD FINISHES

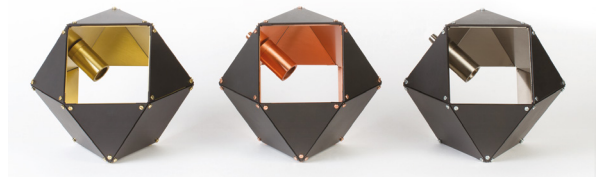
Metal Finishes:



White Steel & Satin Brass

White Steel & Satin Copper

White Steel & Satin Nickel



Blackened Steel & Satin Brass

Blackened Steel & Satin Copper

Blackened Steel & Satin Nickel



Satin Brass

Satin Copper

Satin Nickel

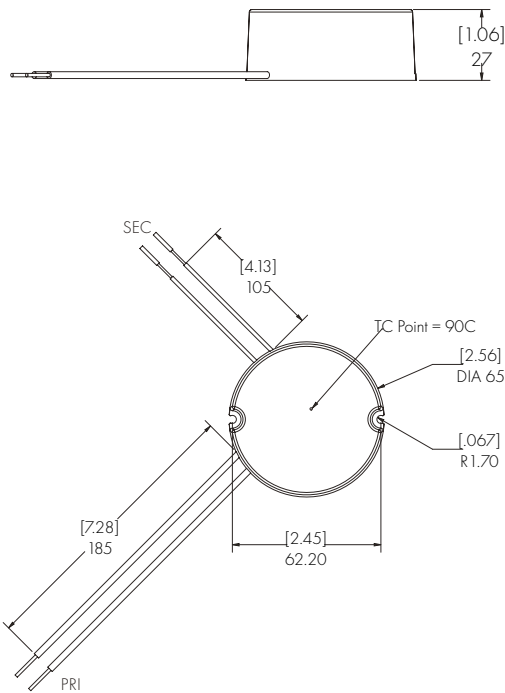
twentieth

sales@twentieth.net
323.904.1200
www.twentieth.net

LED DRIVER

CCT13W500 - 120V

Magnitude's CCT Series dimmable Constant Current LED driver is class 2 rated and designed to operate with MLV, ELV and CL dimmer switches (forward phase/ reverse phase / TRIAC). The driver's low profile case allows OEM's to easily incorporate it into Luminaires. A 5-year warranty is a standard on all of Magnitude's products.



Features:

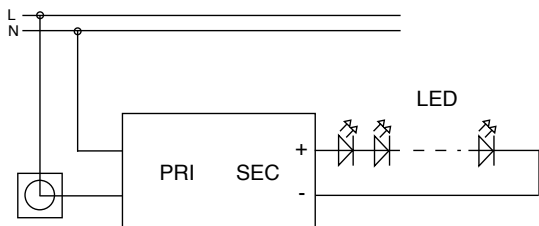
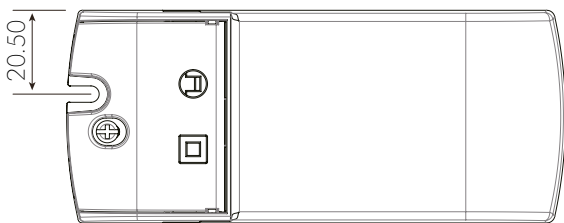
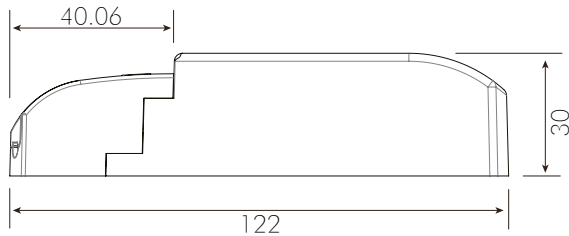
- Dimmable with MLV, ELV and CL dimmer switches (forward phase / reverse phase / TRIAC)
- Dim down to 5%
- Super compact case
- Class 2
- UL 8750
- Complies with FCC Part 15B
- Auto-Reset protection for short circuits, over-voltage and over-temperature

Specifications:

| | |
|-------------------------------|---|
| Input voltage | 100 - 120VAC |
| Max output voltage | 13W |
| Output voltage range | 18 - 26 VDC |
| Output current range | 500mA Nominal - 525 Max |
| Rated output power | 9 - 13W |
| Efficiency at max load | > 82 % |
| THD at max load | < 20 % |
| Power factor at max load | > 0.9 |
| Environment protection rating | IP21 - Dry and damp location |
| Tc case max | 77c |
| Ambient op. temp. | -20c ~ 60c |
| Operating humidity | 10% - 90% |
| Lifetime | 50KHrs |
| Over voltage protection | Auto recovery |
| Open circuit protection | Max output voltage |
| Short circuit protection | Auto recovery |
| Surge protection | 1KV |
| Weight | 104g |
| Dimensions (inches) | 2.56" D x 1.06" H |
| Dimensions (cm) | 6.5 cm D x 2.7 cm H |
| Placement | Designed to fit in standard 4" junction box |

LED DRIVER

UVC1225TD - 220V



Features:

- Constant voltage output
- Fully isolated
- Short circuit, over current and over voltage protection up to 80% efficient
- Fire resistant plastic cover
- Compatible with leading and trailing edge dimmers
- 10 - 100% Dimming Load
- 10 - 100% Dimming range
- Mains dimmable
- Push terminals for easy installation
- IP44 design for indoor use
- 2 years warranty

Specifications:

| | |
|-----------------------|---|
| Voltage | 220V - 240VAC |
| Frequency | 50-60 Hz |
| Current | 0.2A |
| Inrush Current | <2.5A |
| Power Factor | 0.95 |
| Load Voltage | 12V |
| No Load Voltage | 12V |
| Current | 2.08Av |
| Power | 25W |
| Power Factor | > 0.95 |
| Efficiency | 80% |
| Over Load | Auto Recovery |
| Short Circuit | Auto Recovery |
| Over Voltage | Auto Recovery |
| Operating Temperature | -20 ~ +50°C |
| Storage Temperature | -40 ~ +70°C |
| Relative Humidity | 5 - 95% |
| Safety Standard | Design refers to EN60598, EN61547, ENV55024, EN61000-4-2, 3, 4, 6, 8,11, EN61000-3-2, EN61000-3-3 |
| EMI Standard | Meets Emissions to EN55022, EN55015 Class B |
| Lifetime | 50K hrs at TC max (70c) |
| Weight | 110g |
| Dimensions (inches) | 4.8" x 2" x 1.2" |
| Dimensions (cm) | 12.2 cm x 5.2 cm x 3 cm |