



NEBULAE

HORIZONTAL CHANDELIER

The Nebulae collection takes its name from the natural phenomena of interstellar clouds and their dynamic layered lighting effects. The geometric machined forms coupled with the fluid glass discs create balance between the elements. Designed for use in larger open spaces, working in modular configurations, the Nebulae Horizontal Chandelier is inspired by the diffusion of natural light.

Available in several configurations (including a Vertical Chandelier) and several glass finishes, the Nebulae Horizontal Chandelier is both dynamic and sculptural in its linear form.

AVAILABLE FINISHES



FLUTED CLEAR GLASS TEXTURED BLACK GLASS WHITE PEARL GLASS BLACK ANODISED CHAMPAGNE ANODISED

TECHNICAL

MATERIAL	ANODISED ALUMINIUM, GLASS	
LAMPING	8.5W E27 LED, 806 LM, 2700K WARM WHITE DIMMABLE. SUPPLIED WITH AUS/NZ SALES (220-240V) ONLY (120V) E26 LAMP HOLDER SUPPLIED FOR NORTH AMERICA/CANADA.	
LED LIFESPAN	15,000 HRS	
CONTROL	PHASE CONTROL / NETWORK CONTROL DIMMABLE DIMMING RANGE 10 - 100%. FOR OPTIMAL DIMMING PERFORMANCE WE RECOMMEND SOURCING A ROTARY OR PUSH BUTTON DIMMER WITH AN ADJUSTMENT DIAL CAPABLE OF SETTING THE DIMMING RANGE OF THE FIXTURE.	
CANOPY	VARIOUS - SEE CANOPY OPTIONS ON FOLLOWING PAGE	
IP RATING	IP20 - FOR INDOOR USE ONLY	
CERTIFICATION	AU/NZ	AS/NZS 60598.1, 60598.2.1
	EU	EN 60598.1, 60598.2.1
	US/CAN	ETL/UL 1598, CSA C22.2#250.0

PRODUCT CODES SKU

EG. NC23.G-FLU.A-WCH = NEBULAE 23 IN FLUTED CLEAR GLASS AND CHAMPAGNE ANODISED BODY - HORIZONTAL THREE HANGING CHANDELIER

NC.22.G-XXX.A-XXX	NEBULAE 22 - HORIZONTAL DOUBLE CHANDELIER
NC.23.G-XXX.A-XXX.	NEBULAE 23 - HORIZONTAL THREE HANGING
NC.24.G-XXX.A-XXX	NEBULAE 24 - HORIZONTAL FOUR HANGING
NC.34.G-XXX.A-XXX.	NEBULAE 34 - HORIZONTAL FOUR HANGING CHANDELIER - TRIPLE DROP
NC.35.G-XXX.A-XXX.	NEBULAE 35 - HORIZONTAL FIVE HANGING CHANDELIER TRIPLE DROP

FINISHES FOR ALL CONFIGURATIONS:

GLASS: FLUTED CLEAR (G- FLU), BUBBLE BLACK (G-BBL), AND WHITE PEARL (G-PWH)
BODY: BLACK ANODISED (A-BLK) AND CHAMPAGNE ANODISED (A-CHM)

DIMENSIONS

VARIOUS - SEE DIMENSIONS ON FOLLOWING PAGE*

WEIGHT

NEBULAE 22 - 7KG / 15.4LB
NEBULAE 23 - 10KG / 22LB
NEBULAE 24 - 13KG / 28.6LB
NEBULAE 34 - 15KG / 33LB
NEBULAE 35 - 17.5KG / 38.5LB

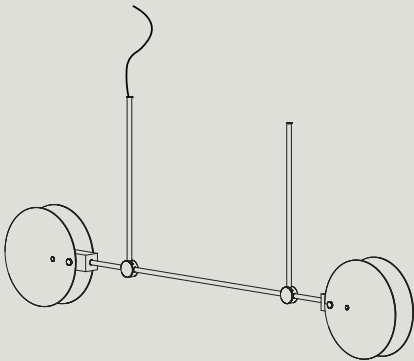
PACKAGING

NEBULAE 22 / 23 / 24 - 75X50X25CM / 29.5X19.7X9.8"
NEBULAE 34 / 35 - 145X45X25CM / 320X99.2X55.1"

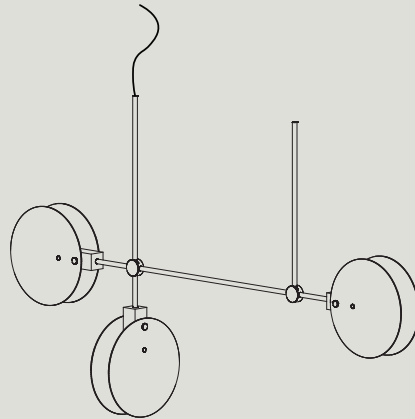
PACKAGING WEIGHT

NEBULAE 22 - 7KG / 15.4LB
NEBULAE 23 - 10KG / 22LB
NEBULAE 24 - 13KG / 28.6LB
NEBULAE 34 - 15KG / 33LB
NEBULAE 35 - 17.5KG / 38.5LB

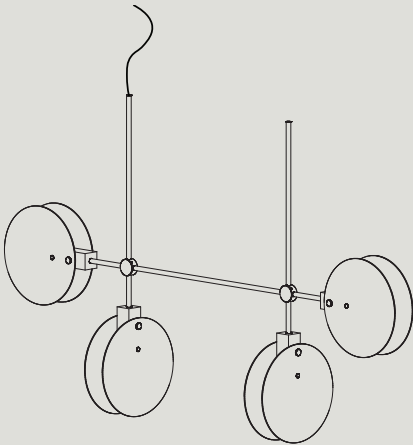
DIMENSIONS



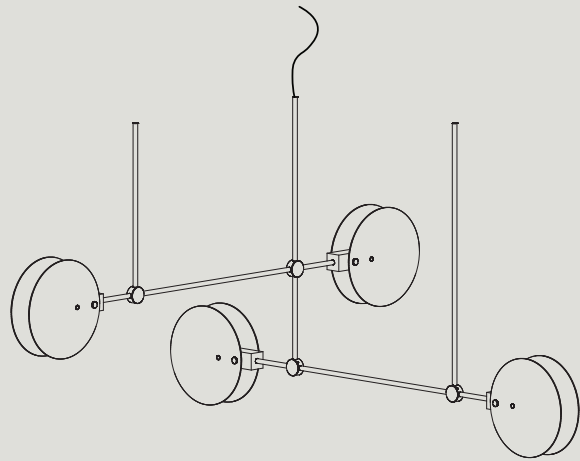
NC22
 L 1656 W 87 H 300*
 L 65.2" W 3.4" H 11.8"**
 CEILING CANOPY SPACING L 678 / 26.7"



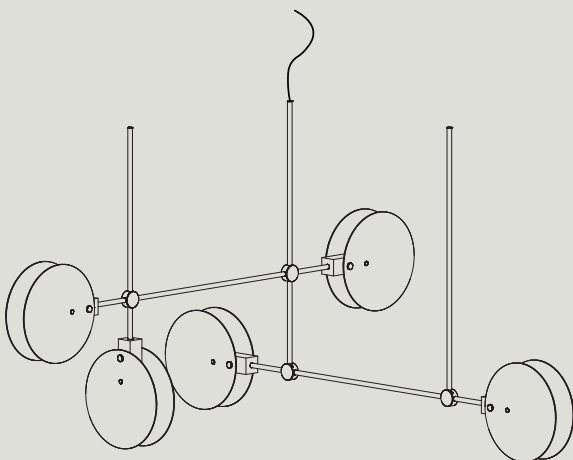
NC23
 L 1656 W 300 H 600*
 L 65.2" W 11.8" H 23.6"**
 CEILING CANOPY SPACING L 678 / 26.7"



NC24
 L 1656 W 300 H 600*
 L 65.2" W 11.8" H 23.6"**
 CEILING CANOPY SPACING L 678 / 26.7"



NC34
 L 1656 W 1656 H 600*
 L 65.2" W 65.2" H 23.6"**
 CEILING CANOPY SPACING L 678 / 26.7"



NC35
 L 1656 W 1656 H 600*
 L 65.2" W 65.2" H 23.6"**
 CEILING CANOPY SPACING L 678 / 26.7" 90°

*Over Drop Height for each Nebulae Chandelier is customised to the individual space and FCL by client.

AVAILABLE CANOPIES

ALL ROSS GARDAM CEILING MOUNTED FIXTURES COME SUPPLIED WITH A CEILING CANOPY UNLESS OTHERWISE SPECIFIED. EACH CANOPY INCLUDES ELECTRICAL CONNECTORS, EARTH WIRE AND CABLE RETENTION TO CONNECT TO MAINS POWER. THE BELOW IMAGES DEPICT THE CEILING CANOPIES AVAILABLE WITH EACH FIXTURE TYPE. IF NO CANOPY IS SELECTED, THE STANDARD CANOPY (NON US/CAN REGION) OR LARGE CANOPY (US/CAN) WILL BE SUPPLIED.



STANDARD
 Ø14MM FIXED CANOPY
 CAN.ST.120.F14.X-XXX
 Ø120 X 30MM / 4.7" X 1.2"



STANDARD
 Ø14MM FIXED SWIVEL CANOPY
 CAN.ST.120.F14.SW.X-XXX
 Ø120 X 30MM / 4.7" X 1.2"



SLIM
 Ø14MM FIXED CANOPY
 CAN.SL.F14.X-XXX
 Ø120 X 7MM / 4.7" X 0.3"



SLIM
 Ø14MM FIXED SWIVEL CANOPY
 CAN.SL.F14.SW.X-XXX
 Ø120 X 7MM / 4.7" X 0.3"



PUCK
 Ø14MM FIXED CANOPY
 CAN.PK.F14.X-XXX
 Ø50 X 65MM / 2" X 2.6"



PUCK
 Ø14MM FIXED SWIVEL CANOPY
 CAN.PK.F14.SW.X-XXX
 Ø50 X 65MM / 2" X 2.6"

TECHNICAL

MATERIAL

ANODISED ALUMINIUM



BLACK
 ANODISED



CHAMPAGNE
 ANODISED

CANOPIE FINISH

ANODISED BLACK (A-BLK)
 ANODISED CHAMPAGNE (A-CHM)

PRODUCT SKU CODE

EG. CAN.ST.120.F14.A-CHM = STANDARD Ø14MM FIXED
 CANOPY IN CHAMPAGNE ANODISED FINISH