

LUNA 3-Tier Chandelier

Installation Guide

- Suspended mounted only.
- Certified electrician recommended for electrical installation.
- Minimum 3 people recommended for installation.
- Terminal Block not included. Installation may require advice from a qualified person.
- Junction box rated for minimum of 100lbs or structural blocking required to support fixture.
- Structural blocking required at monopoint locations, adequate drywall plugs may be substituted.
- For all LED fixtures, use only with class 2 power unit.
- The light source contained in this luminaire shall only be replaced by the manufacturer or his service agent or a similar qualified person. Contact manufacturer for service.

*** IMPORTANT: Please provide email confirmation that your order and its related components have been received in their entirety and in good condition. Failure to do so within 7 days of delivery will waive all product warranties.**

twentieth

sales@twentieth.net
323.904.1200
www.twentieth.net

GABRIEL SCOTT



Provided Supplies:

- Tier 3 Luna fixture (in two parts)
- Hanging Template
- Male Monopoints
- Universal T-bar
- Installation screws
- LED Driver
- Snap rings (circlips)
- Snap ring installation tool

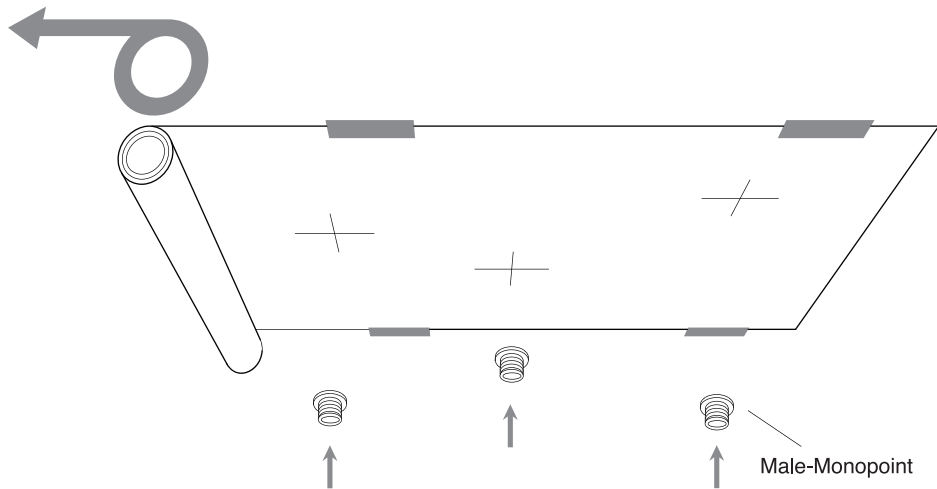
Required Tools & Hardware:

- Screwdriver
- Drywall anchor suitable for 25lbs for mono points
- 4x 2-pole wiring terminals, screw or screwless, 12-18AWG (1.0-2.5mm²), rated for 600V, 15A -ex: WAGO 222-412
- Requires LED driver; Input: Local line voltage, output 12Vdc SELV, 5A, max 60 Watt, Class 2 LED driver.

STEP 1

Tape provided 1:1 printed template to ceiling at desired location and install all male monopoints at the crosses indicated on the template.

Note: Each anchor point should be capable of supporting 25 lbs and therefore adequate blocking or toggle bolts are required for proper support at the location of each male monopoint.



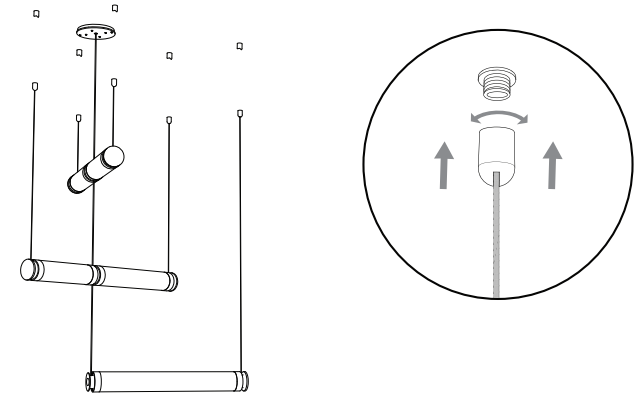
twentieth

sales@twentieth.net
323.904.1200
www.twentieth.net

STEP 2

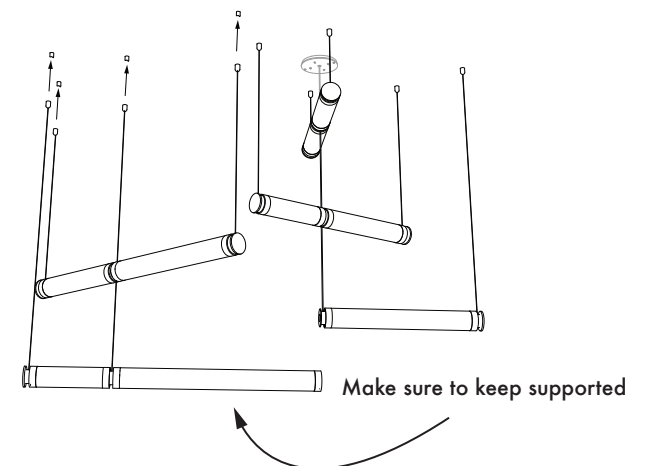
The Luna 3-Tier will be divided into two parts; remove both from the packaging and lay them out carefully on an adjacent workspace.

Select the section with the canopy and electrical feed, begin hanging this section by screwing the female monopoints of each tube section onto the corresponding male-monopoints on the ceiling. Finish by making your electrical connection and attaching the canopy to the ceiling, be sure to adequately support all elements during installation.



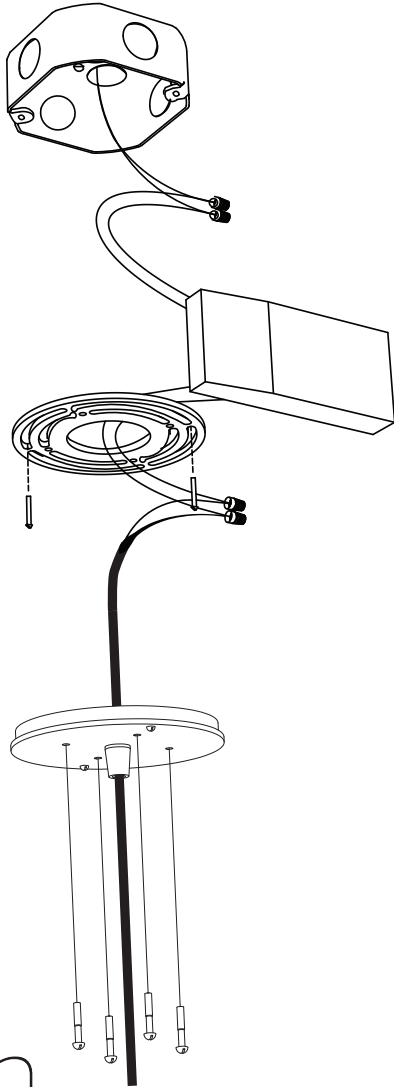
STEP 3

Install second section in the same method as the first, be sure to support the unsupported 24" tube during this step.

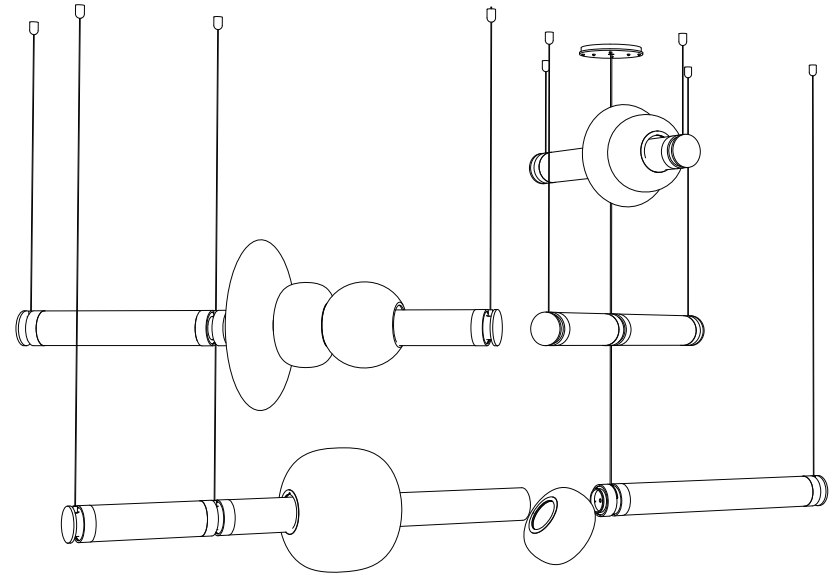


STEP**4**

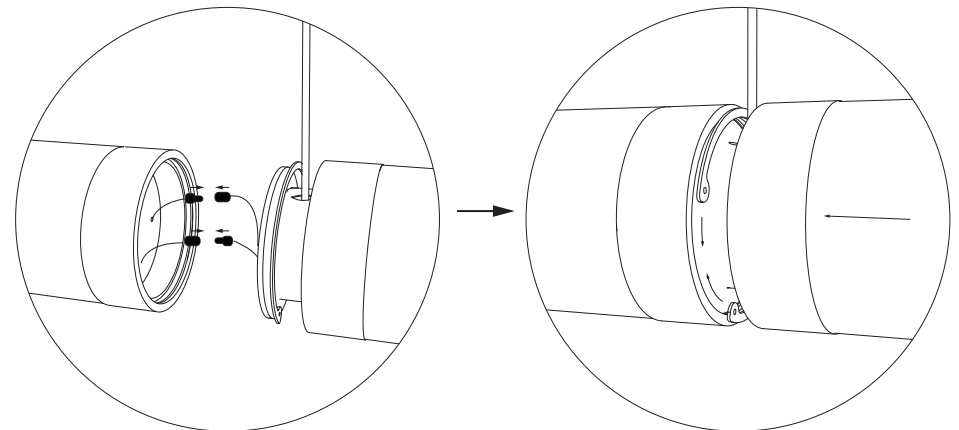
Using wire terminals, connect the LED driver to the Luna fixture. On Gabriel Scott fixtures, the black wire (+) is positive, and the outer metallic casing of the coax cable is the negative (-). Next, again using wire terminals, connect the LED driver to the power supply. Finally, attach the universal T-bar and screw the canopy with the provided screws. The drop height should already be set to the correct height with a grip lock. The grip lock acts as a cable stop.

**STEP****5**

Install the volumes designated to go on the inner 24" tube.

**STEP****6**

Make the paddle terminal connections, use the provided tool to attach the two sections using the retaining ring provided. Be sure the retaining ring is well seated in the groove.

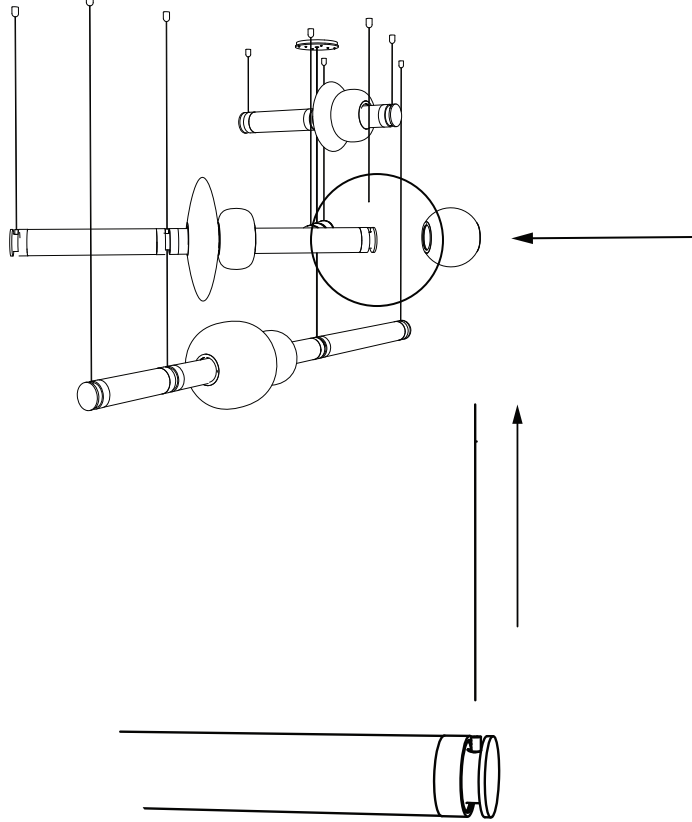


twentieth

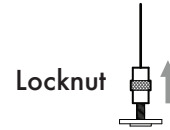
sales@twentieth.net
323.904.1200
www.twentieth.net

STEP
7

Install the remaining volumes by removing the aircraft cable from the plunger and then sliding the volume onto the tube, finish by re-inserting the aircraft cable to properly support the fixture. Be sure to properly support the fixture during this step especially when the aircraft cables are disconnected.



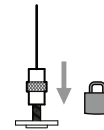
See locknut instructions on next page



1) Loosen locknut from cable gripper



2) Move the cable in or out to the desired height



3) Secure the locknut back in place.

Note:

If the cable feels blocked, cut excess as needed.
If the wire is frayed, cut with sharp cable cutters.