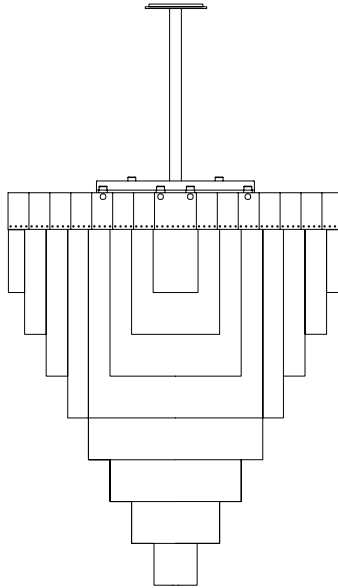




FILE#: E356487



# The **KELLY** Chandelier Installation Guide

- Certified electrician recommended for electrical installation.
- Terminal Block not included. Installation may require advice from a qualified person.
- For all LED fixtures, use only with class 2 power unit.
- Minimum of 3 people recommended for installation.
- Junction box rated for minimum of 100 lbs required.
- The light source contained in this luminaire shall only be replaced by the manufacturer or his service agent or a similar qualified person. Contact manufacturer for service.

**\*IMPORTANT: Please provide email confirmation that your order and its related components have been received in their entirety and in good condition. Failure to do so within 7 days of delivery will waive all product warranties.**

twentieth

sales@twentieth.net  
323.904.1200  
www.twentieth.net

### **Provided Supplies**

- Kelly Fixture
- Stem Assembly (stem + threaded rod assembly)
- Sleeve
- Canopy Assembly
- Universal Cross-Bar
- LED Driver
- Spare LED chip

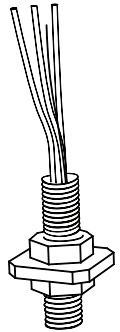
### **Required Tools:**

- Screwdriver
- 4x 2-pole Wiring Terminals, screw or screwless, 12-18AWG (1.0-2.5mm<sup>2</sup>), rated for 600V, 15A - EX: WAGO 222-412
- Requires LED driver; Input: Local Line Voltage, Output 12Vdc SELV, 5A, Max 60 Watt, Class 2 LED Driver.

STEP

1

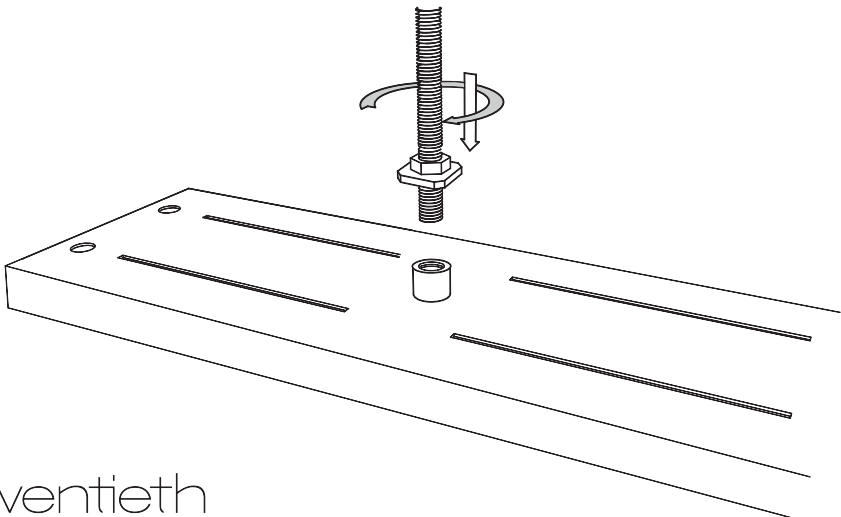
Pass wires (black, white, ground) through the stem assembly.



STEP

2

Screw threaded rod into the fixed-coupling at the top of the chandelier.



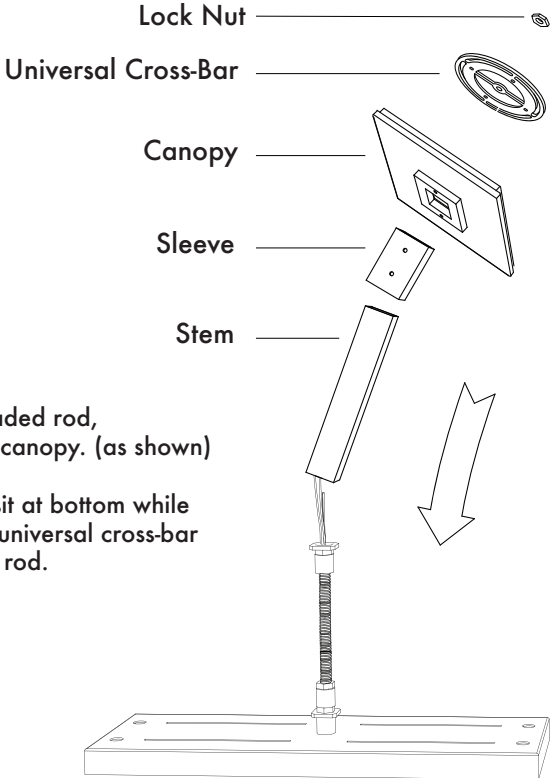
twentieth

sales@twentieth.net  
323.904.1200  
www.twentieth.net

**STEP  
3**

Pass the stem over the threaded rod, followed by the sleeve and canopy. (as shown)

Allow them to temporarily sit at bottom while preparing to hang. Thread universal cross-bar and lock nut onto threaded rod.



**STEP  
4**

Fasten complete fixture using the universal cross-bar to existing junction box.

**STEP  
5**

Raise canopy to ceiling, and secure in place by raising sleeve and tightening set-screws

