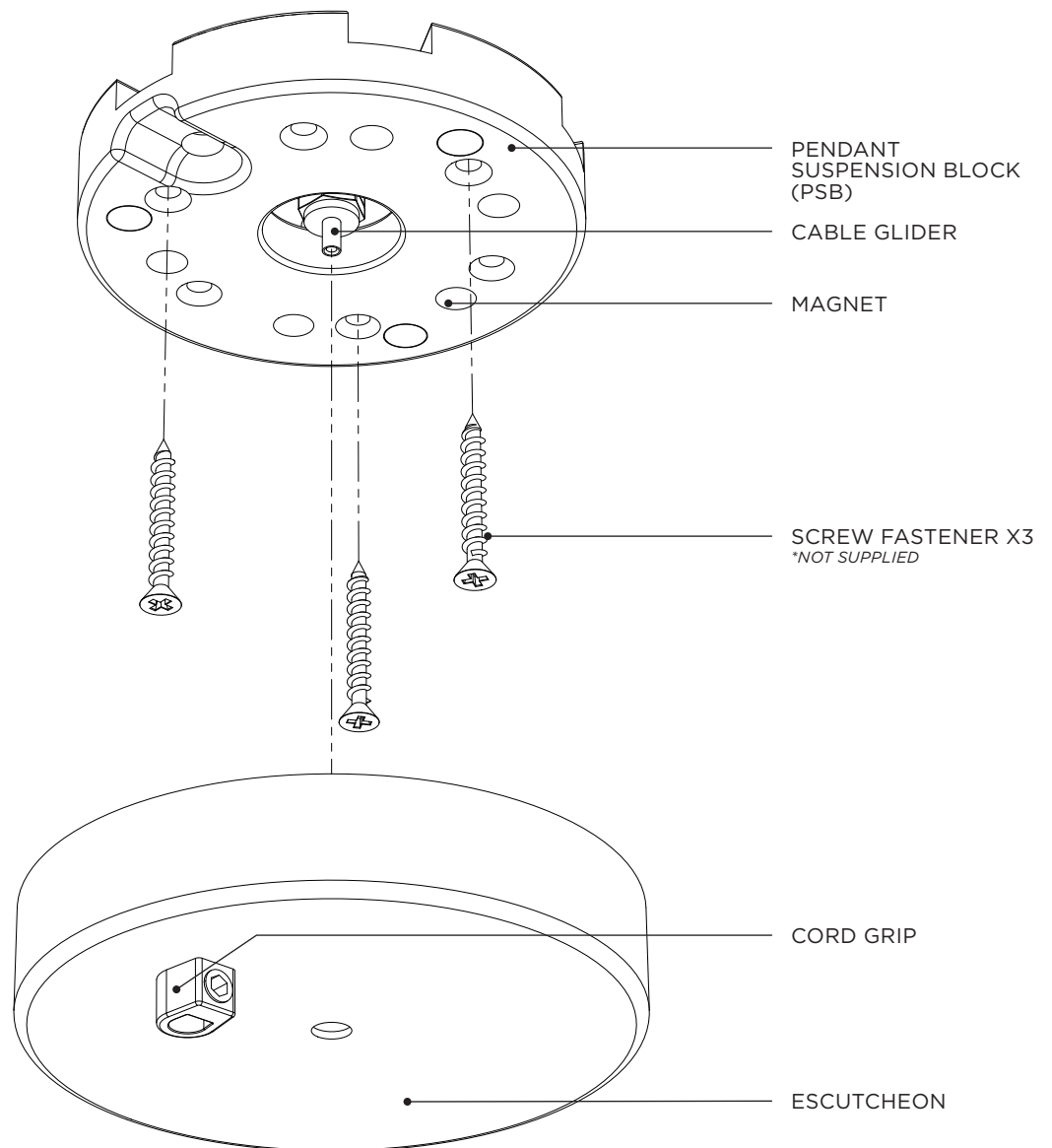


# INSTALLATION GUIDE

## CANOPY - ROUND SURFACE MEDIUM

SINGLE POINT SUSPENSION  
RSM.1



# INSTALLATION GUIDE

## CANOPY - ROUND SURFACE MEDIUM

SINGLE POINT SUSPENSION  
RSM.1



### **WARNING: SHOCK HAZARD**

May result in serious injury or death.  
ENSURE POWER IS OFF before commencing any work.



### **WARNING: ELECTRICAL**

ALL ELECTRICAL connections must be made by a qualified electrician in accordance with the regulations and codes governing the area for which the CHRISTOPHER BOOTS Fixture is intended to be installed in. Failure to do so may result in serious harm or damage to property and life, at the owner's liability and expense.

CHRISTOPHER BOOTS will not be held liable for any damage caused from installation.



### **WARNING: STRUCTURAL**

Ensure that the substrate is securely installed and is in accordance with local building regulations. Failure to do so may potentially result in serious harm or damage of property, at the owner's liability and expense.

CHRISTOPHER BOOTS will not be held liable for any damage caused from installation.



Refer to supplied WIRING DIAGRAM.

# INSTALLATION GUIDE

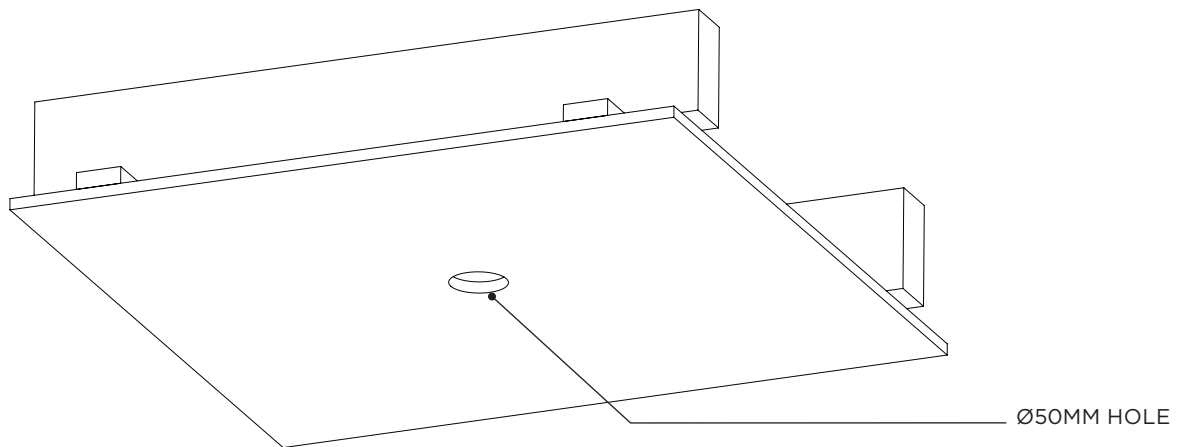
## CANOPY - ROUND SURFACE MEDIUM

SINGLE POINT SUSPENSION  
RSM.1

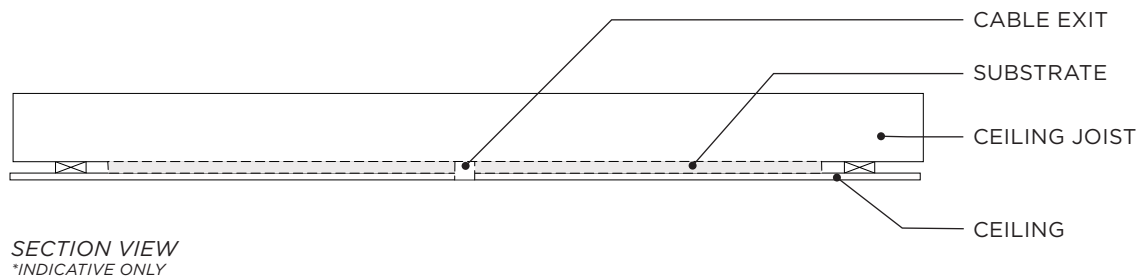
- 1 Wearing gloves, unpack the MEDIUM SURFACE CANOPY with care, ensuring not to scratch the surface of the ESCUTCHEON.

Separate the ESCUTCHEON from PSB. These are connected via Magnets and can be pulled apart using moderate force.

- 2 Cut a  $\varnothing 50\text{mm}$  hole in the ceiling for the PSB.



- 3 Installer to provide adequate load-bearing substrate, utilising ceiling joist where additional support is required.

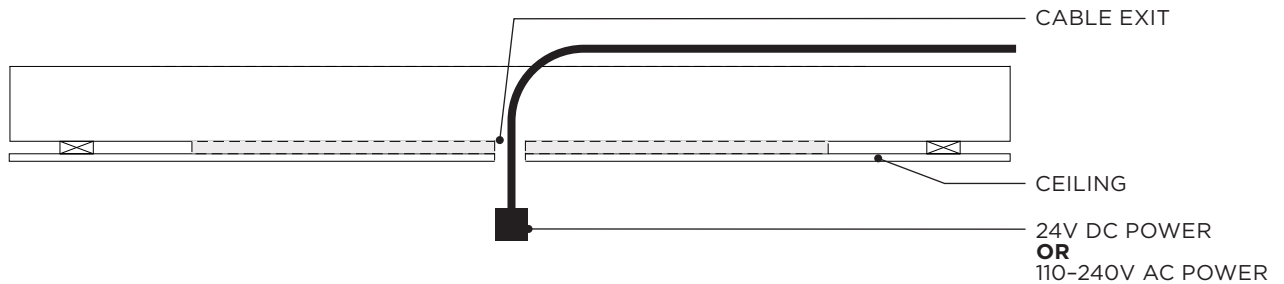


# INSTALLATION GUIDE

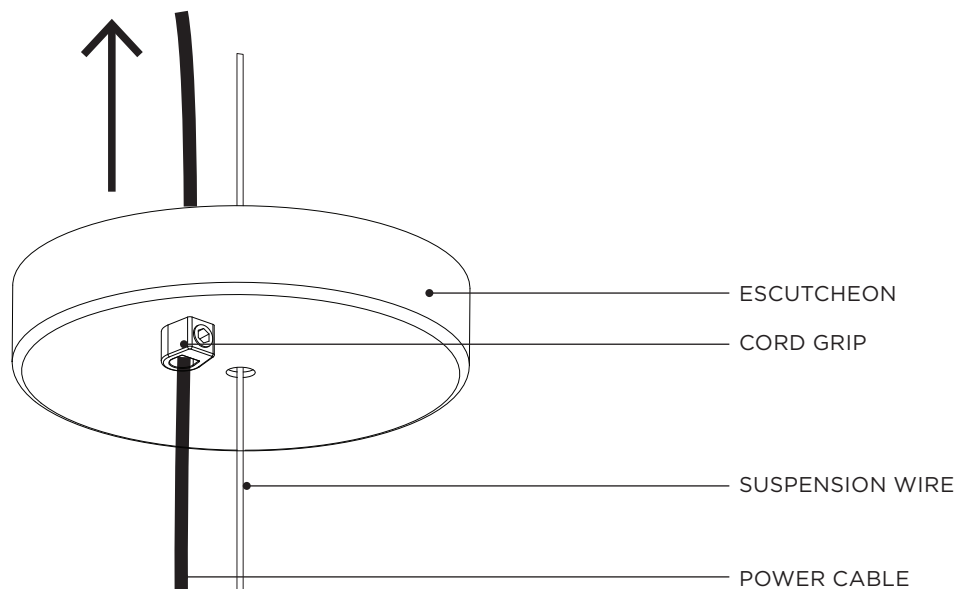
## CANOPY - ROUND SURFACE MEDIUM

SINGLE POINT SUSPENSION  
RSM.1

- 4** Depending on the voltage of the pendant, prepare either the remotely located 24V Power Supply OR the 110-240V AC cable for connection to the pendant. Refer to supplied WIRING DIAGRAM. →



- 5** From the Pendant, feed the SUSPENSION WIRE through central hole in the ESCUTCHEON and POWER CABLE through the CORD GRIP as shown.

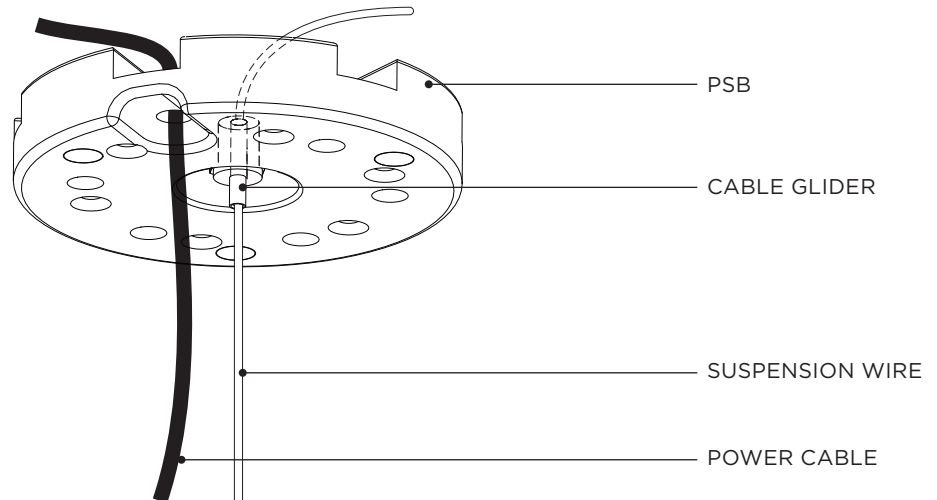


# INSTALLATION GUIDE

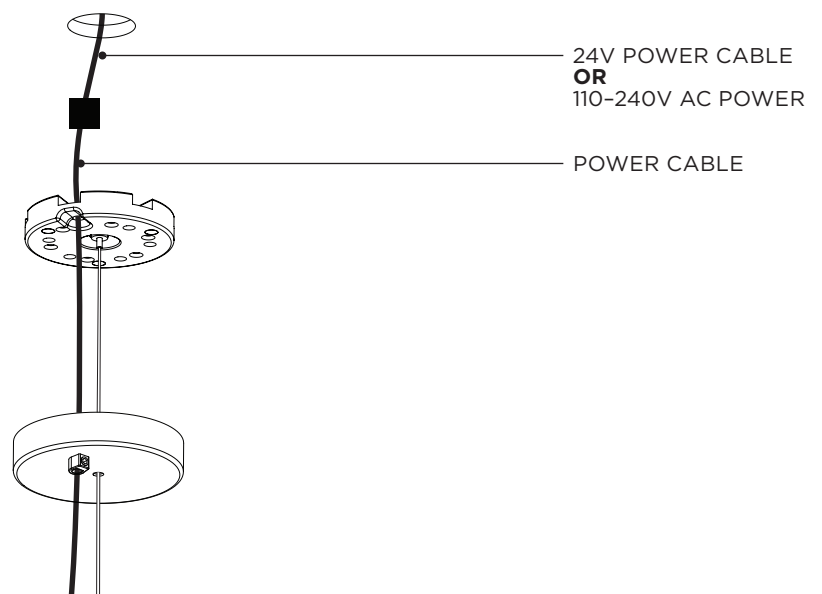
## CANOPY - ROUND SURFACE MEDIUM

SINGLE POINT SUSPENSION  
RSM.1

- 6** Feed the SUSPENSION WIRE through the CABLE GLIDER. Followed by the POWER CABLE through the PSB as shown.



- 7** Connect the POWER CABLE from the PENDANT to the 24V DC power supply OR the 120-240V AC cable. Refer to supplied WIRING DIAGRAM →

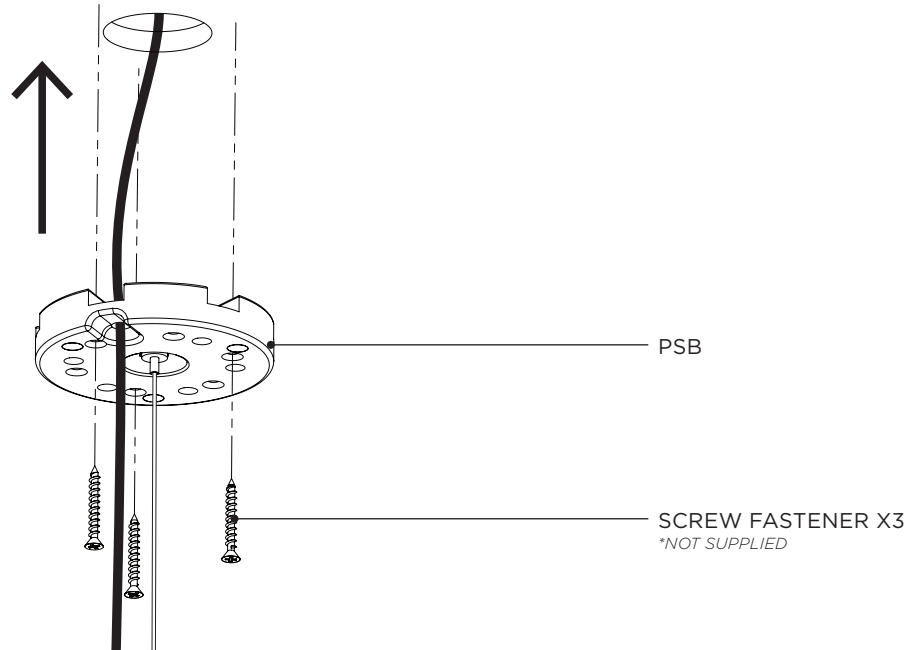


# INSTALLATION GUIDE

## CANOPY - ROUND SURFACE MEDIUM

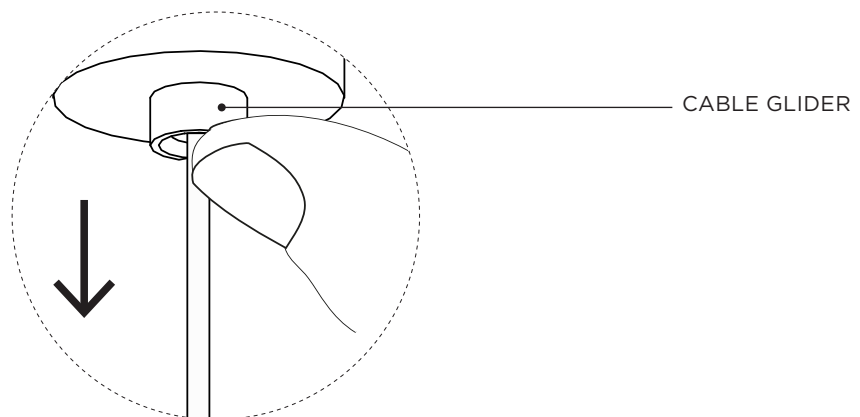
SINGLE POINT SUSPENSION  
RSM.1

- 8** Attach the PSB to Substrate with appropriate Fasteners.



- 9** Raise the PENDANT, feeding excess cable through the CABLE GLIDERS. Set into position by gently lowering the PENDANT.

While supporting the pendant make necessary adjustments; To lower, press the cable gliders gently allowing excess cable to slide downwards. To raise, gently feed the cables up through the cable gliders. When satisfied with arrangement, ensure that neither the PENDANT or SUSPENSION components are touching.

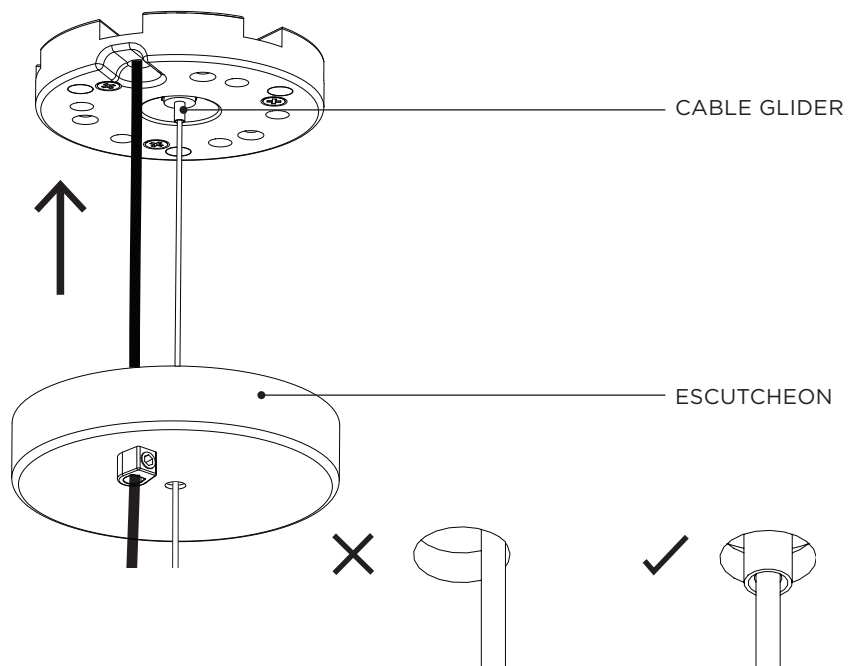


# INSTALLATION GUIDE

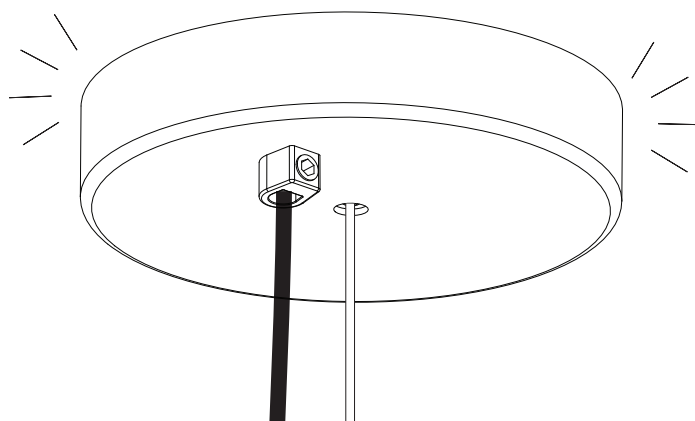
## CANOPY - ROUND SURFACE MEDIUM

SINGLE POINT SUSPENSION  
RSM.1

- 10** Carefully raise the ESCUTCHEON to the ceiling until the Magnets engage. Ensure no contact between ESCUTCHEON and CABLE GLIDER, as this may release the suspension wire.



- 11** With the ESCUTCHEON in place, ensure the CORD GRIP is adequately tightened on to the POWER CABLE and make any necessary final adjustments to the PENDANT.



- 12** Conduct a final visual assessment of both the canopy and fixture to ensure all parts have been properly fitted and secured. Once satisfied that everything is in working order remove all remaining protective material which will now complete the installation process.

FINISH

CHRISTOPHER BOOTS

7