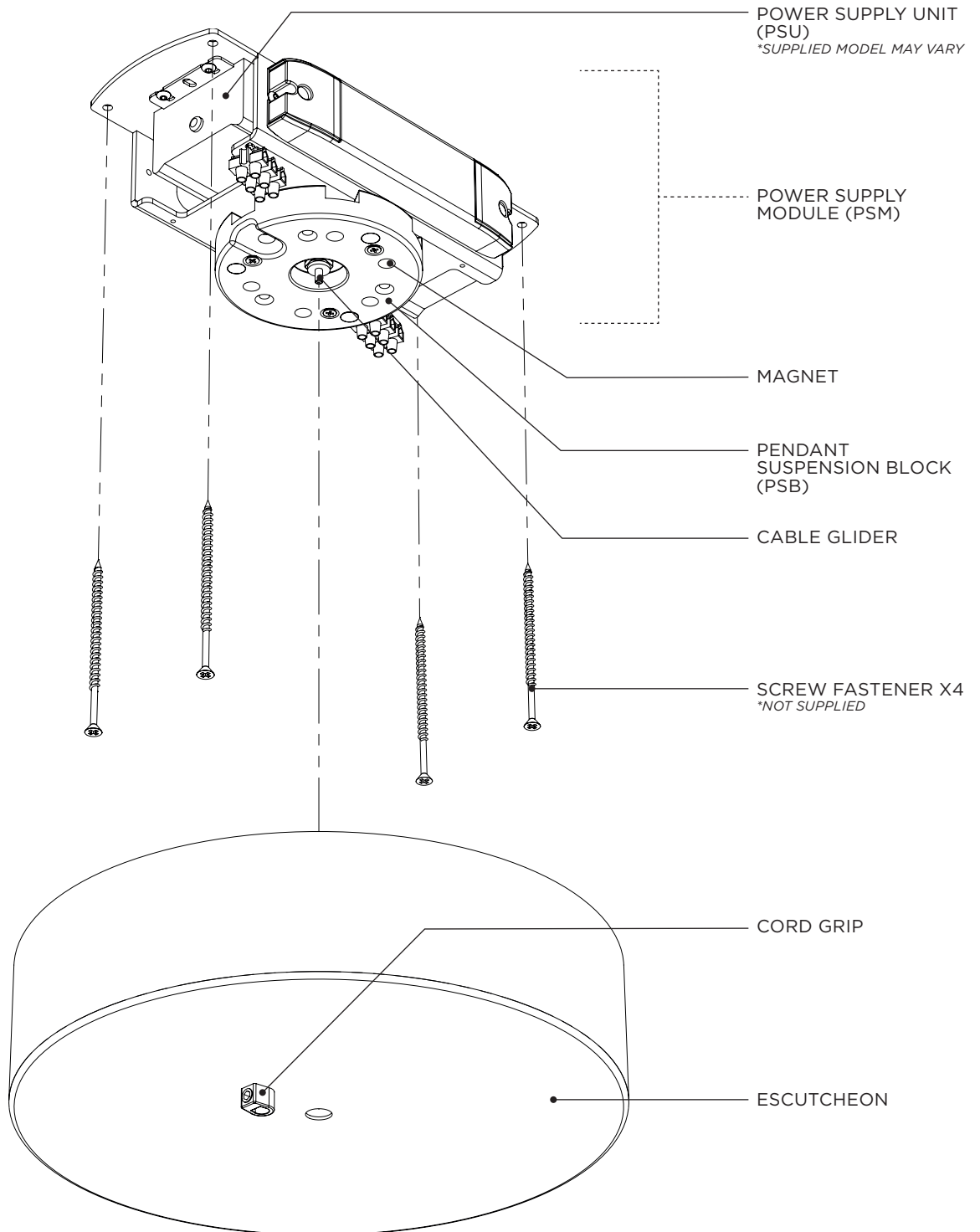


# INSTALLATION GUIDE

## CANOPY - ROUND SURFACE LARGE

SINGLE POINT SUSPENSION  
RSL.1



CHRISTOPHER BOOTS

1

# INSTALLATION GUIDE

## CANOPY - ROUND SURFACE LARGE

SINGLE POINT SUSPENSION  
RSL.1



### **WARNING: SHOCK HAZARD**

May result in serious injury or death.  
ENSURE POWER IS OFF before commencing any work.



### **WARNING: ELECTRICAL**

ALL ELECTRICAL connections must be made by a qualified electrician in accordance with the regulations and codes governing the area for which the CHRISTOPHER BOOTS Fixture is intended to be installed in. Failure to do so may result in serious harm or damage to property and life, at the owner's liability and expense.

CHRISTOPHER BOOTS will not be held liable for any damage caused from installation.



### **WARNING: STRUCTURAL**

Ensure that the substrate is securely installed and is in accordance with local building regulations. Failure to do so may potentially result in serious harm or damage of property, at the owner's liability and expense.

CHRISTOPHER BOOTS will not be held liable for any damage caused from installation.



Refer to supplied WIRING DIAGRAM.

# INSTALLATION GUIDE

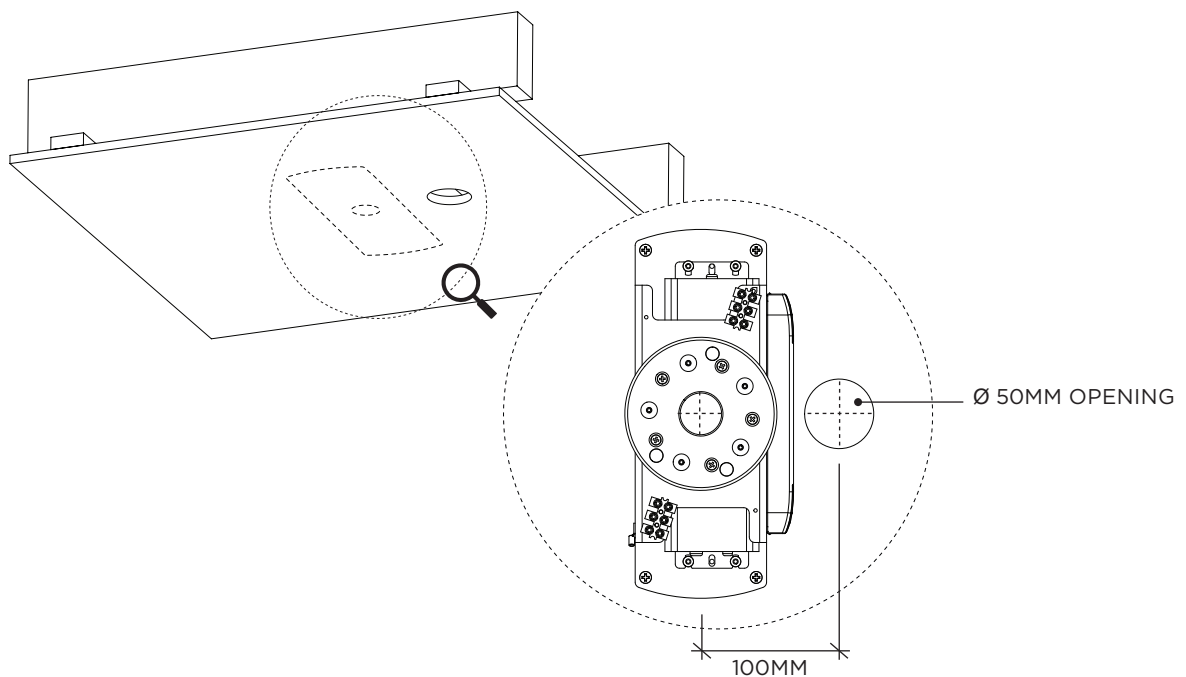
## CANOPY - ROUND SURFACE LARGE

SINGLE POINT SUSPENSION  
RSL.1

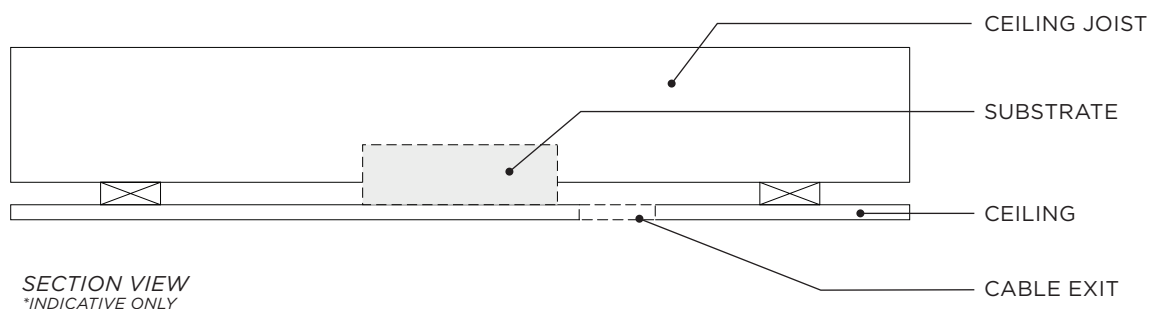
- 1 Wearing gloves, unpack the LARGE SURFACE CANOPY with care ensuring not to scratch the surface of the ESCUTCHEON.

Separate the ESCUTCHEON from PSM. These are connected via Magnets and can be pulled apart using moderate force.

- 2 Cut a  $\varnothing$  50mm hole in the ceiling for the PSM. The hole should be 100mm adjacent to the centre of the PSM.



- 3 Installer to provide adequate load-bearing substrate utilising ceiling joist where additional support is required.

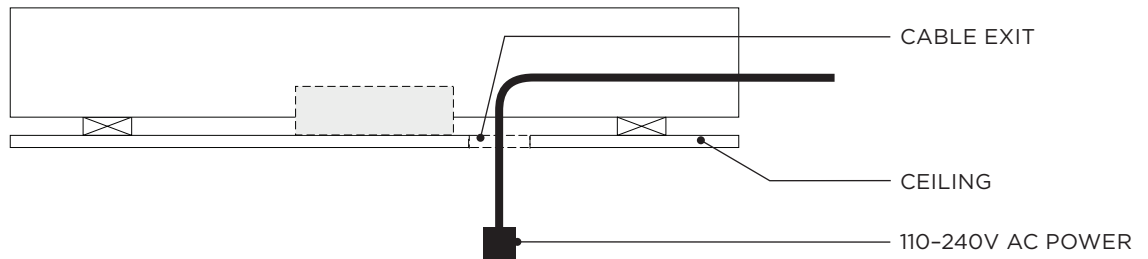


# INSTALLATION GUIDE

## CANOPY - ROUND SURFACE LARGE

SINGLE POINT SUSPENSION  
RSL.1

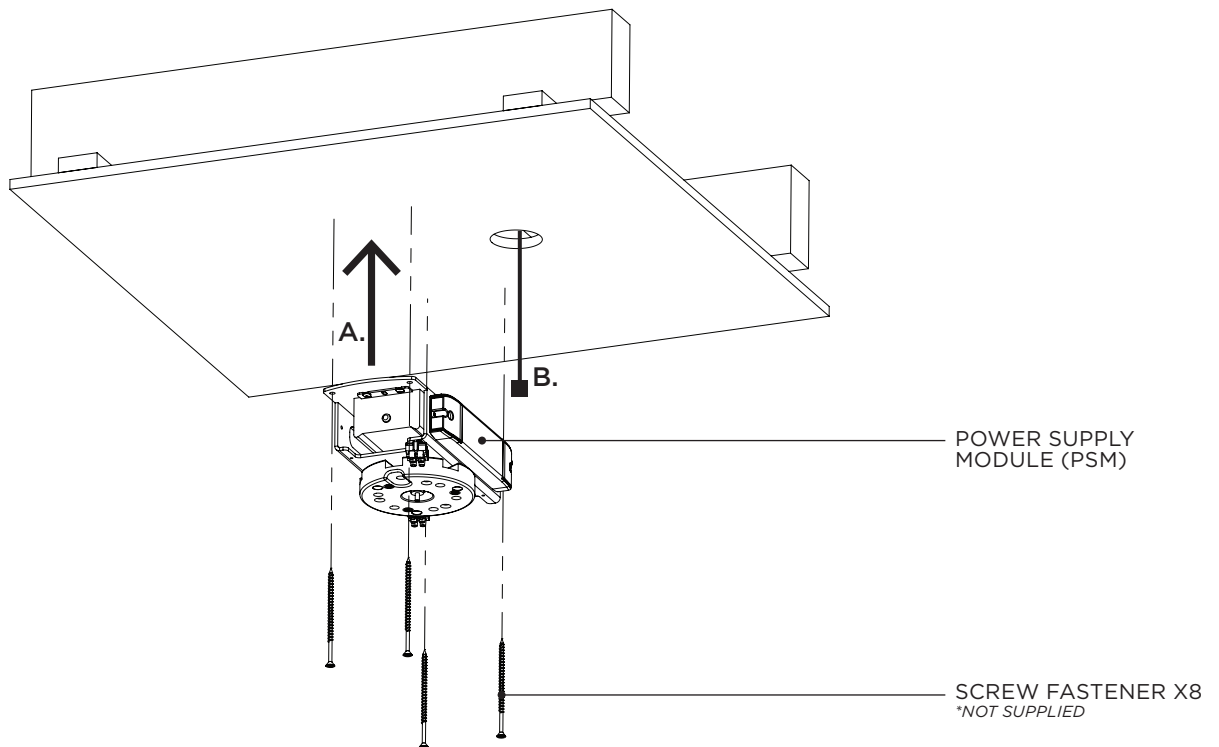
- 4 Prepare the 110-240V AC Power to be connected to the PSU.



- 5 A. Attach the PSM to the prepared Substrate with appropriate Fasteners.  
B. Connect the 110-240V AC Power to the PSU.  
Refer to supplied WIRING DIAGRAM →



Remove the PSB from the PSM to allow for better access for the following steps.

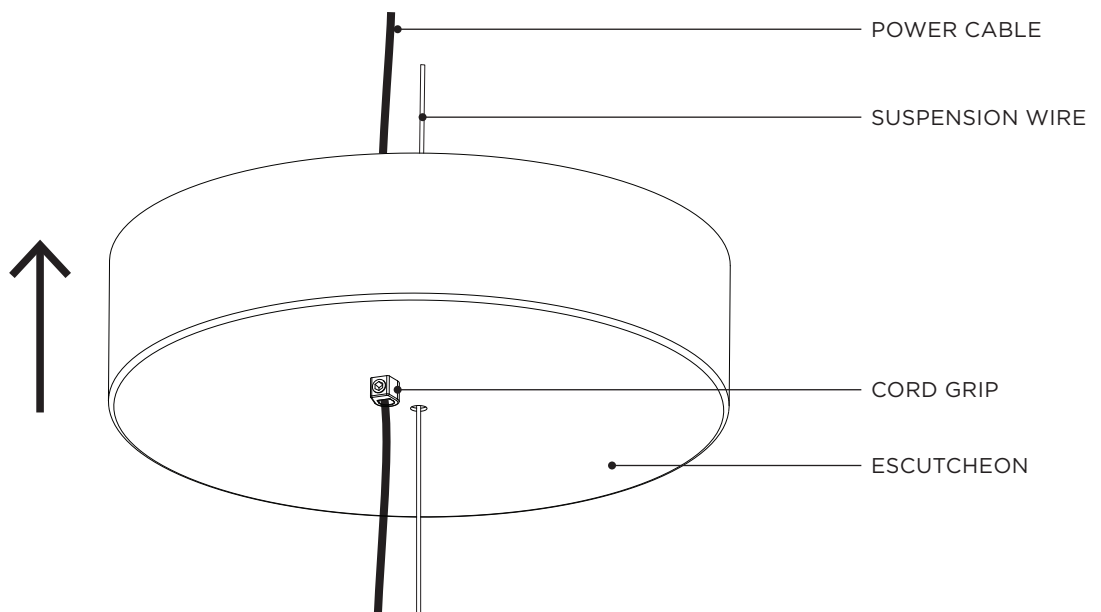


# INSTALLATION GUIDE

## CANOPY - ROUND SURFACE LARGE

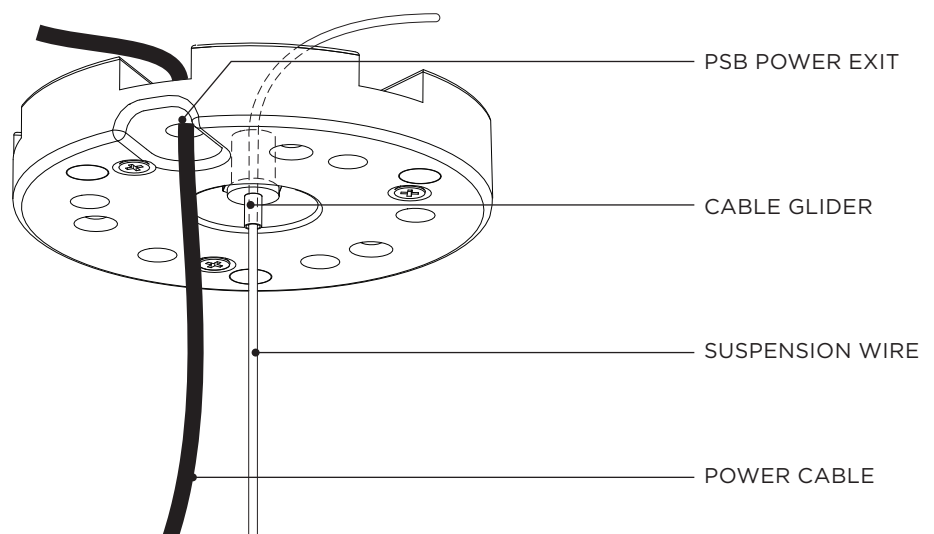
SINGLE POINT SUSPENSION  
RSL.1

- 6** From the pendant, feed the SUSPENSION WIRE through central hole in the ESCUTCHEON and POWER CABLE through the CORD GRIP, as shown.



- 7** Feed the SUSPENSION WIRE through the CABLE GLIDER followed by the POWER CABLE through the PSB POWER EXIT.

Reattach the PSB to the PSM with the fasteners provided, keeping the CABLE and WIRE free to move within the respective gutters.



# INSTALLATION GUIDE

## CANOPY - ROUND SURFACE LARGE

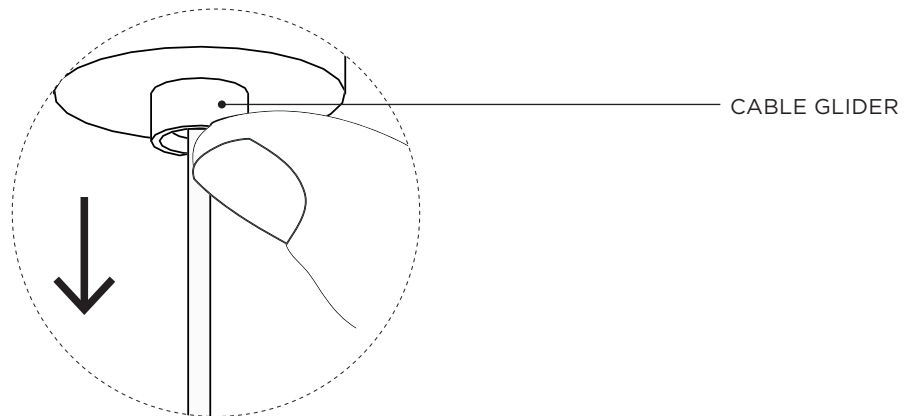
SINGLE POINT SUSPENSION  
RSL.1

- 8** Connect the POWER CABLE from the PENDANT to the PSU TERMINATION POINT. Refer to supplied WIRING DIAGRAM →

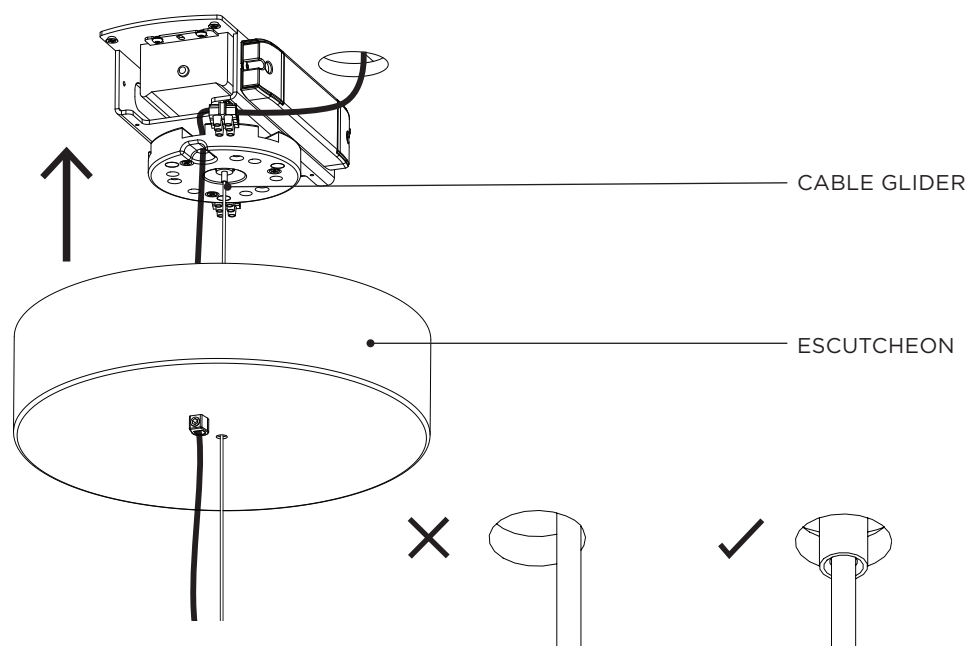


- 9** Raise the PENDANT, feeding excess cable through the CABLE GLIDERS. Set into position by gently lowering the PENDANT.

While supporting the pendant make necessary adjustments; To lower, press the cable gliders gently allowing excess cable to slide downwards. To raise, gently feed the cables up through the cable gliders. When satisfied with arrangement, ensure that neither the PENDANT or SUSPENSION components are touching.



- 10** Carefully raise ESCUTCHEON to the ceiling until the Magnets engage. Ensure no contact between ESCUTCHEON and CABLE GLIDER, as this may release the suspension wire.

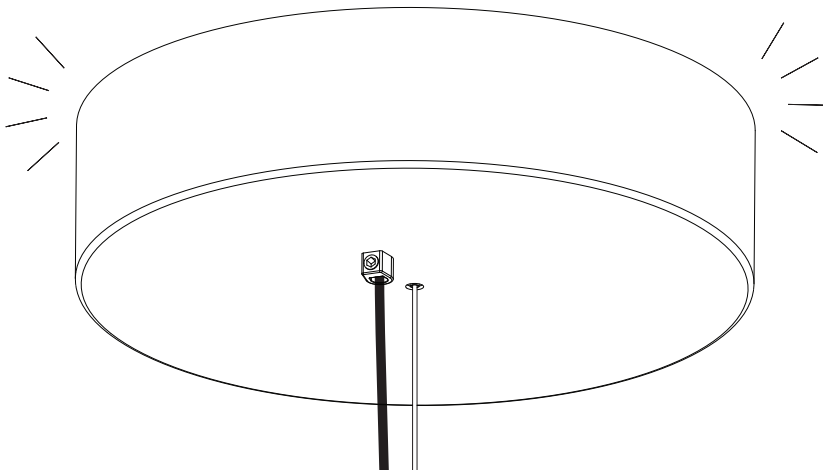


# INSTALLATION GUIDE

## CANOPY - ROUND SURFACE LARGE

SINGLE POINT SUSPENSION  
RSL.1

- 11 With the ESCUTCHEON in place, ensure the CORD GRIP is adequately tightened on to the POWER CABLE and make any necessary final adjustments to the PENDANT.



- 12 Conduct a final visual assessment of both the canopy and fixture to ensure all parts have been properly fitted and secured. Once satisfied that everything is in working order, remove all remaining protective material which will now complete the installation process.

FINISH