

VOLANT 33

CHANDELIER

Volant is a modern chandelier that's almost akin to a kinetic sculpture. A static lamp with a mystifying ability to appear in motion. Solid brass bars are home to textured, tubular formed glass elements, angled to give the impression of floating objects revolving around each other. The result is an elegant equilibrium that's at once enthralling yet soothing.

AVAILABLE FINISHES



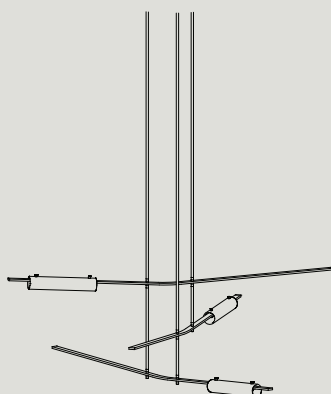
TECHNICAL

MATERIAL	TREATED BRASS, GLASS	PRODUCT SKU CODE	EG. VC333S.G-FLU.BR-BRZ VOLANT 333S CHANDELIER IN FLUTED CLEAR GLASS WITH A BRONZED BRASS FRAME
FINISH	ALL BRASS FRAMES ARE BRUSHED AND TREATED TO ACHIEVE THE AVAILABLE FINISH OPTIONS, THEN WAXED TO PREVENT ACCELERATED AGING.		
LAMPING	SELV 60V (EXTERNAL DRIVER SUPPLIED) VC333S - 13.2W, 1710-2100 LUMEN, 2700K VC333L - 13.2W, 1710-2100 LUMEN, 2700K WATTAGE AND LUMEN OUTPUT WILL VARY SLIGHTLY DEPENDING ON CONSTANT CURRENT OUTPUT.		VC333S.G-XXX.BR-XXX VOLANT 333S CHANDELIER VC333L.G-XXX.BR-XXX VOLANT 333L CHANDELIER
220-240V REGIONS	DIMMING OPTIONS · PHASE - DIMMING RANGE 5 - 100% · DALI - DIMMING RANGE 1 - 100%	FINISHES	GLASS FROSTED BLACK (G-FBL) FLUTED (G-FLU) FRAME BRUSHED BRASS (BR-NAT) BLACKENED BRASS (BR-BLK) BRONZED BRASS (BR-BRZ)
110-120V REGIONS	DIMMING OPTIONS · PHASE - DIMMING RANGE 3 - 100% · DALI - DIMMING RANGE 0.1 - 100%	WEIGHT	VC333S 21KG / 46LB VC333L 22KG / 48LB
	ALL US AND CANADIAN ORDERS COME SUPPLIED WITH 120V COMPONENTRY CERTIFIED FOR USE IN THESE REGIONS.	PACKAGING WEIGHT	VC333S 1X 16KG / 35LB, 1X 9KG / 20LB 1X 3KG / 6.6LB VC333L 1X 16.5KG / 36.5LB, 1X 9.5KG / 21LB 1X 3KG / 6.6LB
	FOR OPTIMAL DIMMING PERFORMANCE WE RECOMMEND SOURCING A DIMMER CAPABLE OF SETTING THE DIMMING RANGE OF THE FIXTURE.	PACKAGING SIZE	VC333S 2 X L 192CM W 37CM H 19CM / L 6'4" W 1'3" H 8" 1 X L 50CM W 50CM H 250CM / L 1'8" W 1'8" H 10" VC333L 2 X L 192CM W 37CM H 19CM / L 6'4" W 1'3" H 8" 1 X L 50CM W 50CM H 250CM / L 1'8" W 1'8" H 10"
LED LIFESPAN	50,000 HRS		
IP RATING	IP20 - FOR INDOOR USE ONLY		
CERTIFICATION	AU/NZ AS/NZS 60598.1, 60598.2.1 EU EN 60598.1, 60598.2.1 US/CAN ETL/UL CERTIFICATION PENDING		
CANOPY	VARIOUS - SEE CANOPY OPTIONS ON FOLLOWING PAGE		

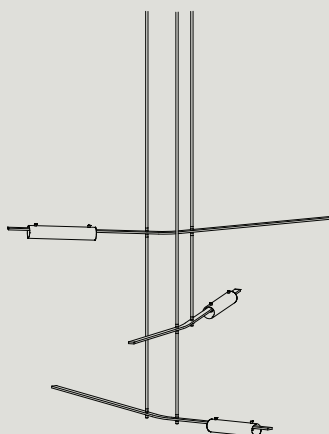
twentieth

sales@twentieth.net
323.904.1200
www.twentieth.net

DIMENSIONS



VC333S
L 1790 W 1570 H 600
L 5'10" W 5'2" H 2'
MIN DROP HEIGHT - H 790 / 2'7"



VC333L
L 1790 W 1570 H 1100
L 5'10" W 5'2" H 3'7"
MIN DROP HEIGHT - H 1290 / 4'3"

*HANG HEIGHT NEEDS TO BE CONFIRMED PRIOR TO PRODUCTION.
*POWER ACCESS POINT REQUIRED AT CENTRE OF CEILING CANOPY.

twentieth

sales@twentieth.net
323.904.1200
www.twentieth.net

AVAILABLE CANOPIES

ALL ROSS GARDAM CEILING MOUNTED FIXTURES COME SUPPLIED WITH A CEILING CANOPY UNLESS OTHERWISE SPECIFIED. EACH CANOPY INCLUDES ELECTRICAL CONNECTORS, EARTH WIRE AND CABLE RETENTION TO CONNECT TO MAINS POWER. THE BELOW IMAGES DEPICT THE CEILING CANOPIES AVAILABLE WITH EACH FIXTURE TYPE. IF NO CANOPY IS SELECTED THE CIRCULAR CANOPY WILL BE SUPPLIED.

CIRCULAR (VC333)



CIRCULAR
FIXED CANOPY
CAN.VC.CIR.X-XXX
Ø480 X 37MM / 18.9" X 1.5"
DRIVER HOUSED IN CANOPY



CIRCULAR
FIXED SWIVEL CANOPY
CAN.VC.CIR.SW.X-XXX
VARIES PER ORDER
DRIVER HOUSED IN CANOPY

INDIVIDUAL CANOPY



SLIM
Ø14MM FIXED CANOPY
CAN.SL.F14.X-XXX
Ø120 X 7MM / 4.7" X 0.3"
DRIVER HOUSED IN CEILING



SLIM
Ø14MM FIXED SWIVEL CANOPY
CAN.SL.F14.SW.X-XXX
Ø120 X 7MM / 4.7" X 0.3"
DRIVER HOUSED IN CEILING



PUCK
Ø14MM FIXED CANOPY
CAN.PK.F14.X-XXX
Ø50 X 65MM / 2" X 2.6"
DRIVER HOUSED IN CEILING



PUCK
Ø14MM FIXED SWIVEL CANOPY
CAN.PK.F14.SW.X-XXX
Ø50 X 65MM / 2" X 2.6"
DRIVER HOUSED IN CEILING

TECHNICAL

MATERIAL

BRASS / POWDER COATED BRASS



BRUSHED BRASS



BLACKENED BRASS



BRONZED BRASS



WHITE POWDERCOATED

CANOPY FINISH

BRUSHED BRASS (BR-NAT)
BLACKENED BRASS (BR-BLK)
BRONZED BRASS (BR-BRZ)
POWDERCOATED WHITE (C-WHT)*

PRODUCT SKU CODE

EG. CAN.VC.CIR.SW.BR-NAT = CIRCULAR FIXED SWIVEL CANOPY CANOPY IN BRUSHED BRASS FINISH

*CIRCULAR CANOPIES ONLY

twentieth

sales@twentieth.net
323.904.1200
www.twentieth.net