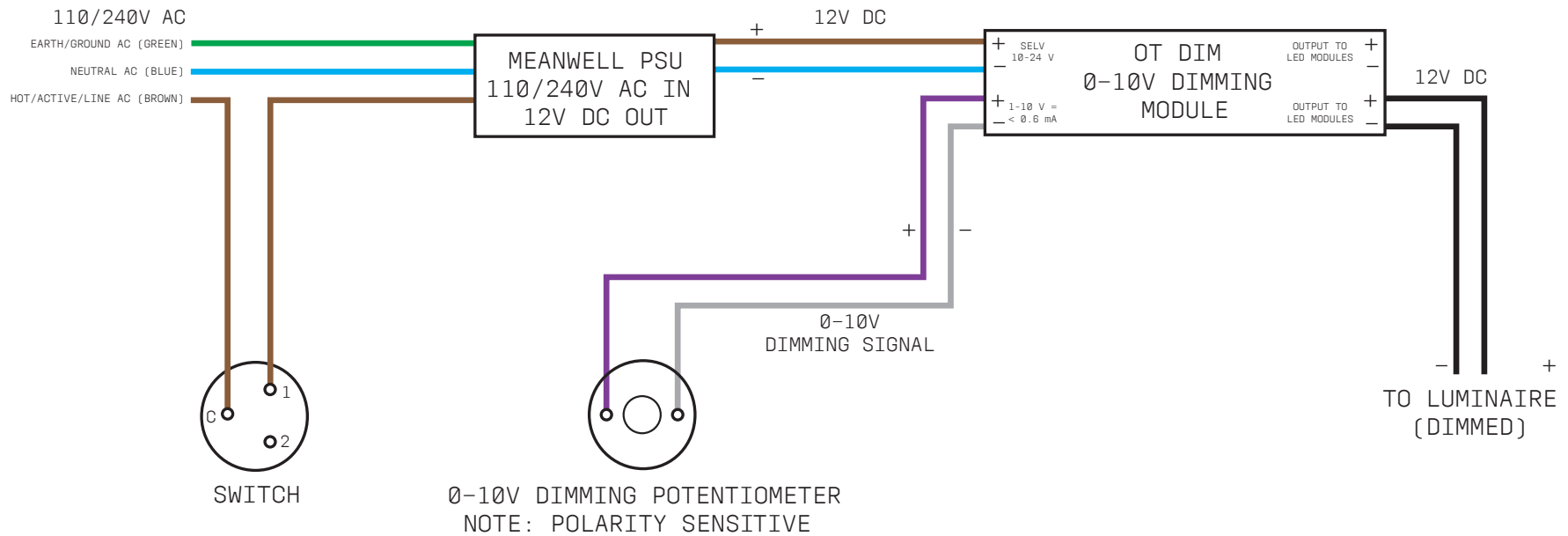
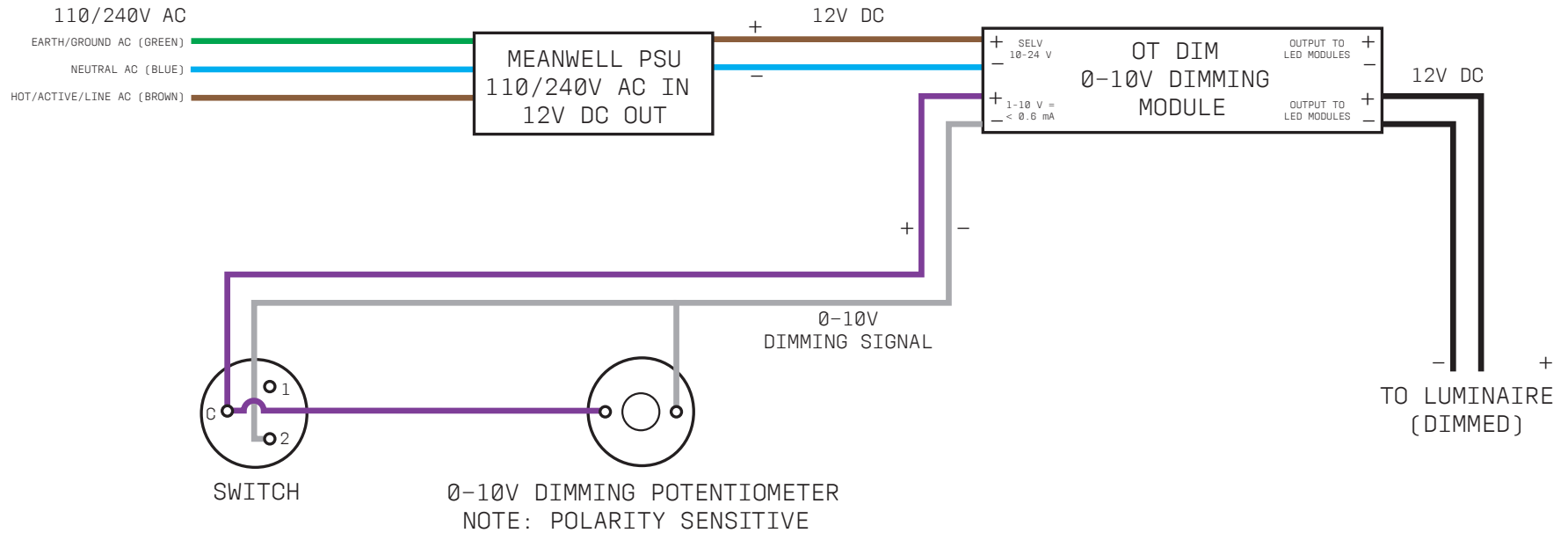


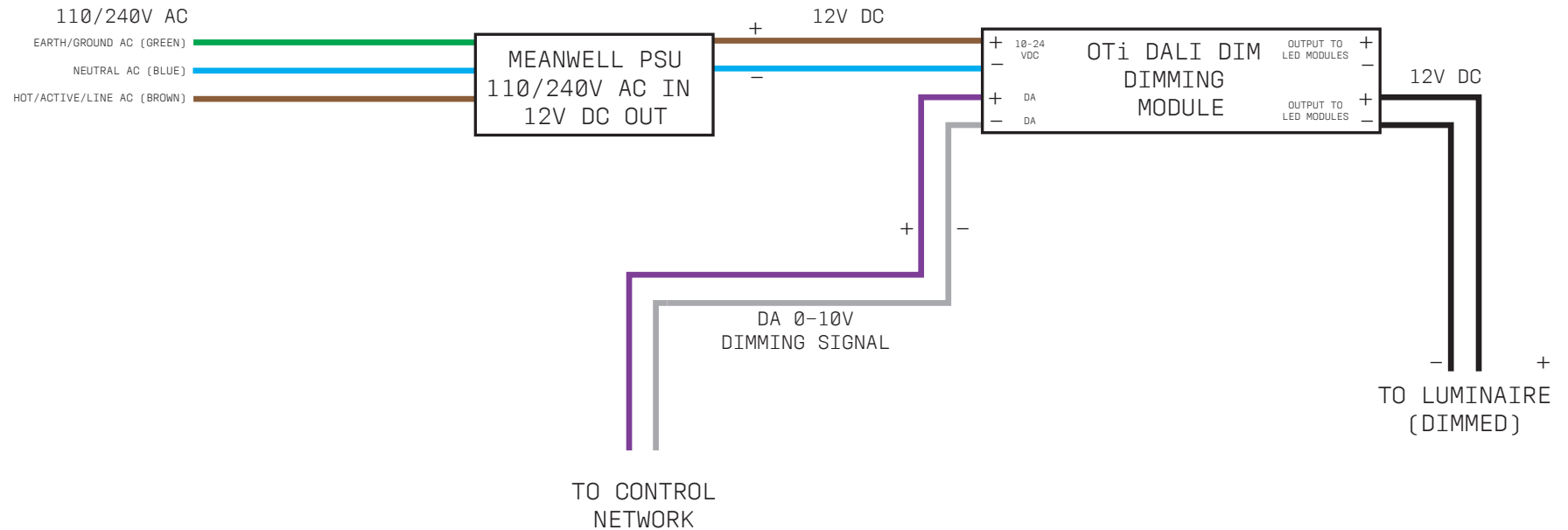
# 12V DC LED LUMINAIRE + DIMMED SWITCHED 110/240V AC PRIMARY DIMMED 12V DC SECONDARY W. 12.010.P



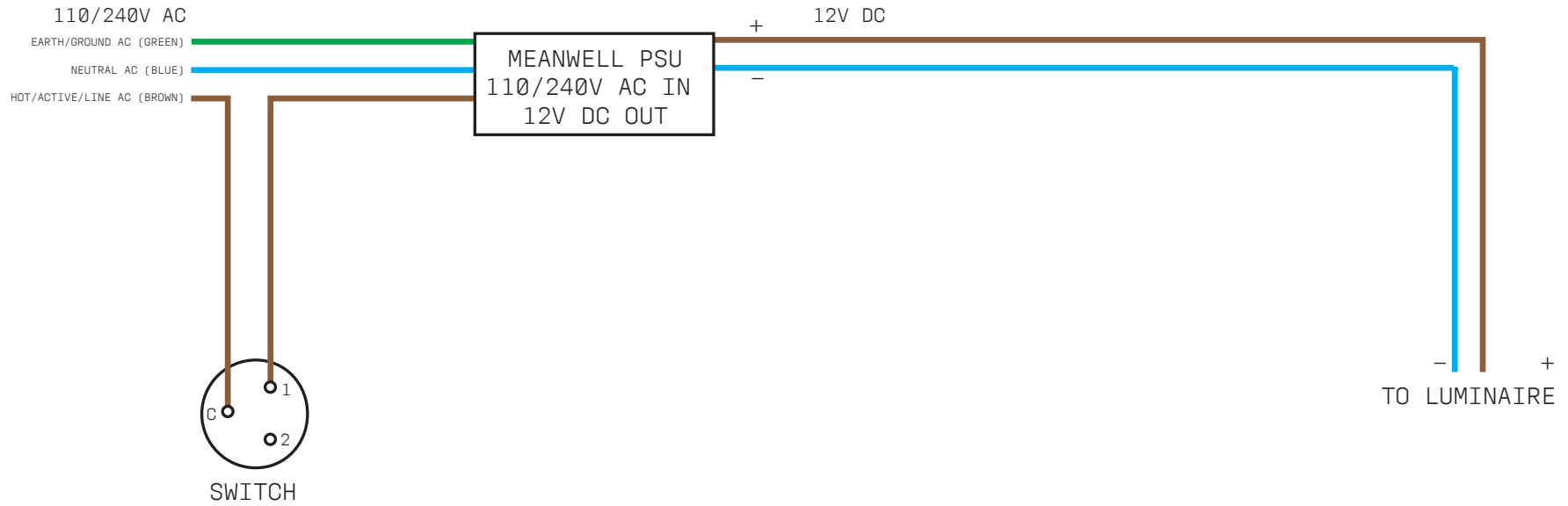
# 12V DC LED LUMINAIRE + DIMMED SWITCHED + DIMMED 12V DC SECONDARY W.12.010.S



# 12V DC LED LUMINAIRE + DIMMED NETWORK CONTROLLED W.12.NC

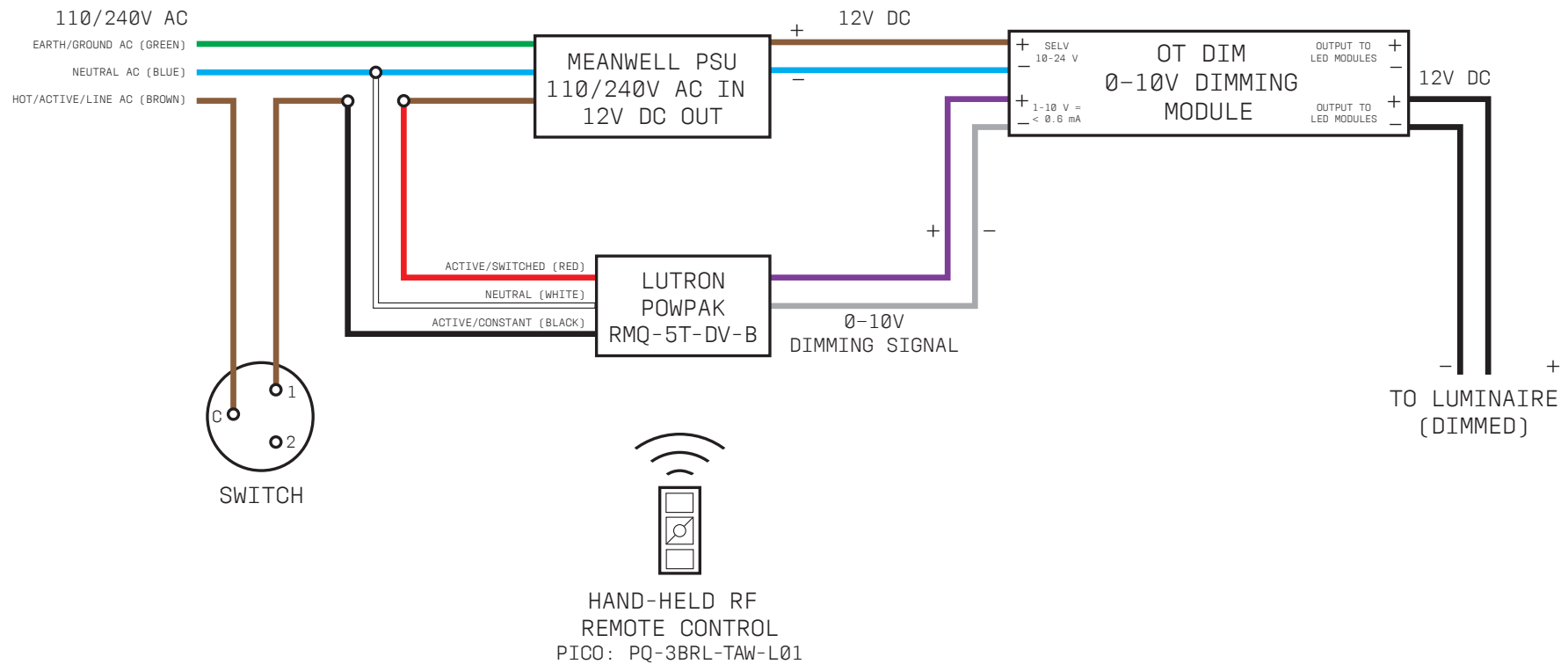


# 12V DC LED LUMINAIRE + NO DIMMING SWITCHED 240V AC PRIMARY W.12.ND



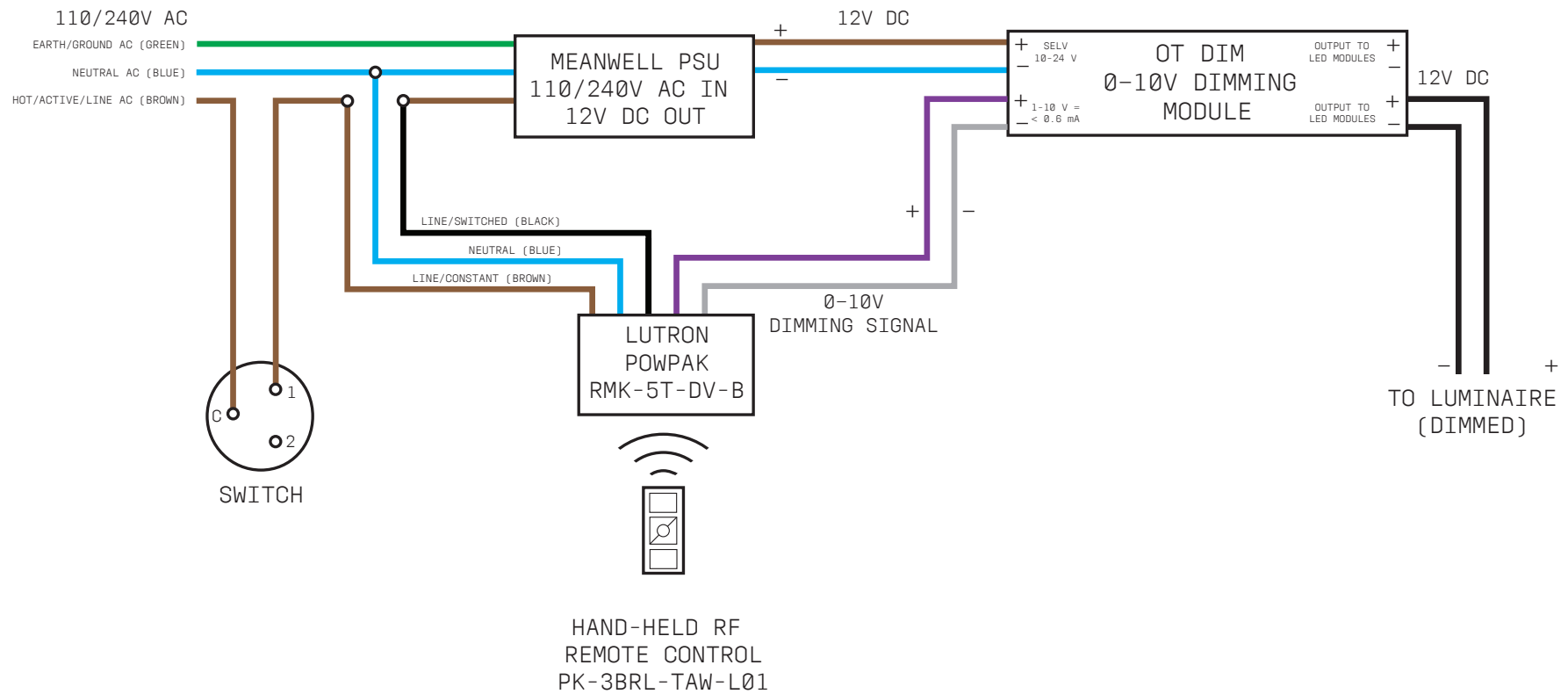
# 12V DC LED LUMINAIRE + RADIO FREQUENCY (RF) DIMMED SWITCHED 110/240V AC PRIMARY - DIMMED 12V DC SECONDARY W.12.RF.AU / W.12.RF.HK

● AUS / HONG KONG



Note: To have the luminaire unswitched, simply remove the switch from the circuit.

# 12V DC LED LUMINAIRE + RADIO FREQUENCY (RF) DIMMED SWITCHED 110/240V AC PRIMARY - DIMMED 12V DC SECONDARY W.12.RF.UK

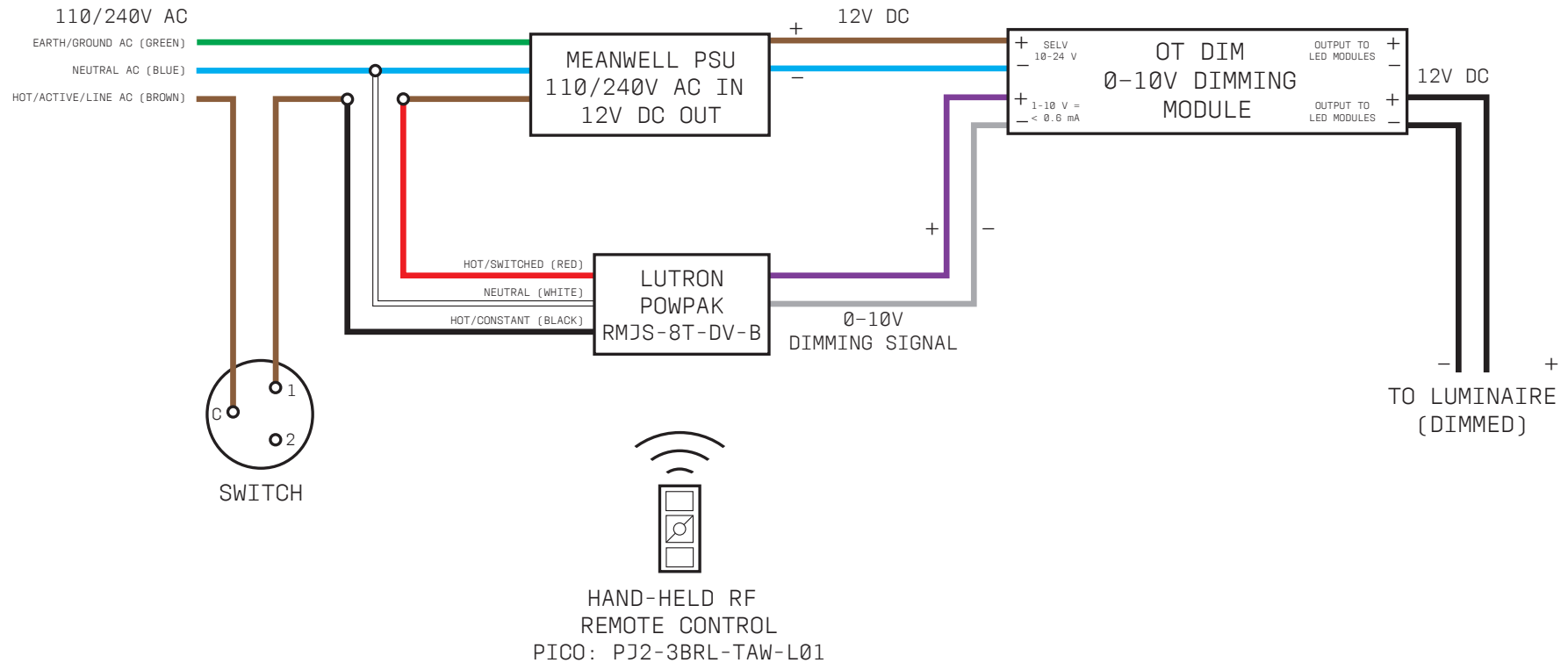


Note: To have the luminaire unswitched, simply remove the switch from the circuit.



# 12V DC LED LUMINAIRE + RADIO FREQUENCY (RF) DIMMED SWITCHED 110/240V AC PRIMARY - DIMMED 12V DC SECONDARY W.12.RF.US / W.12.RF.MX / W.12.RF.CA

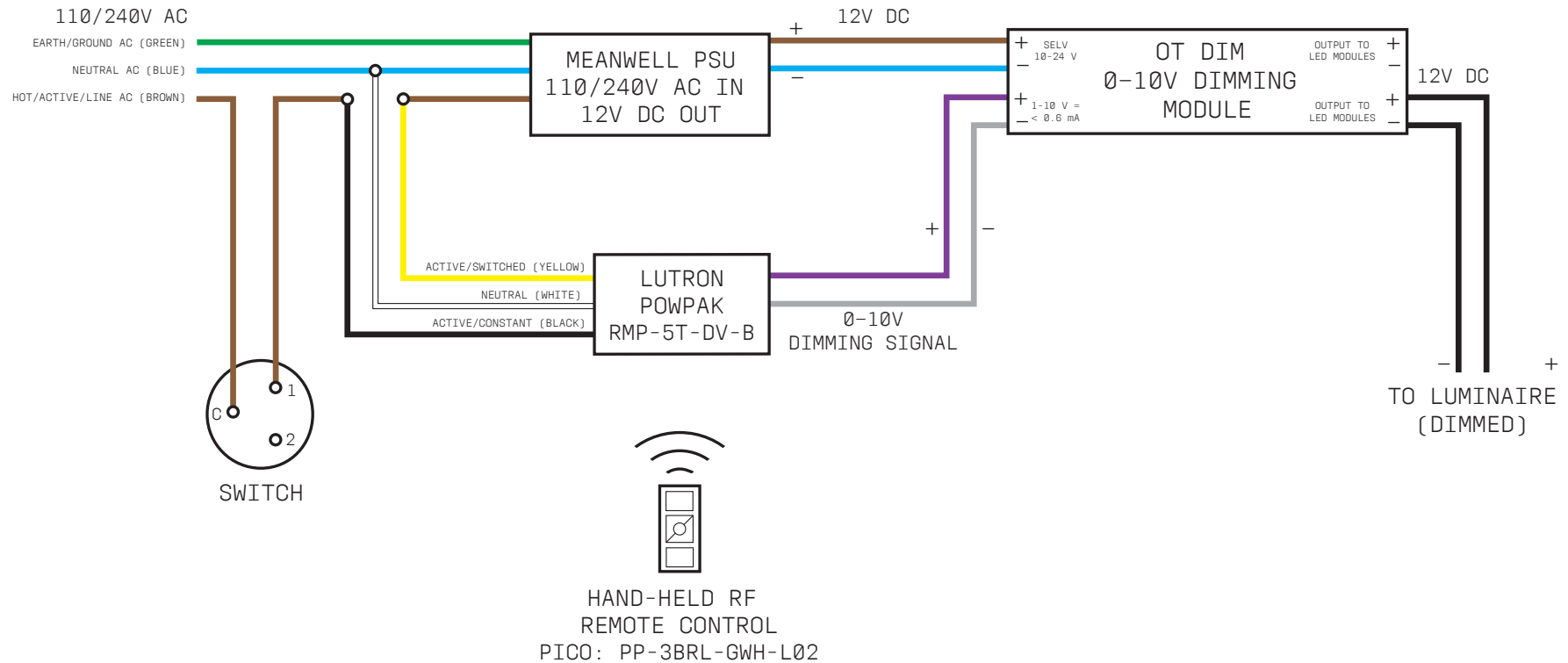
● USA / MEXICO / CANADA



Note: To have the luminaire unswitched, simply remove the switch from the circuit.

# 12V DC LED LUMINAIRE + RADIO FREQUENCY (RF) DIMMED SWITCHED 110/240V AC PRIMARY - DIMMED 12V DC SECONDARY W.12.RF.JP

● JAPAN



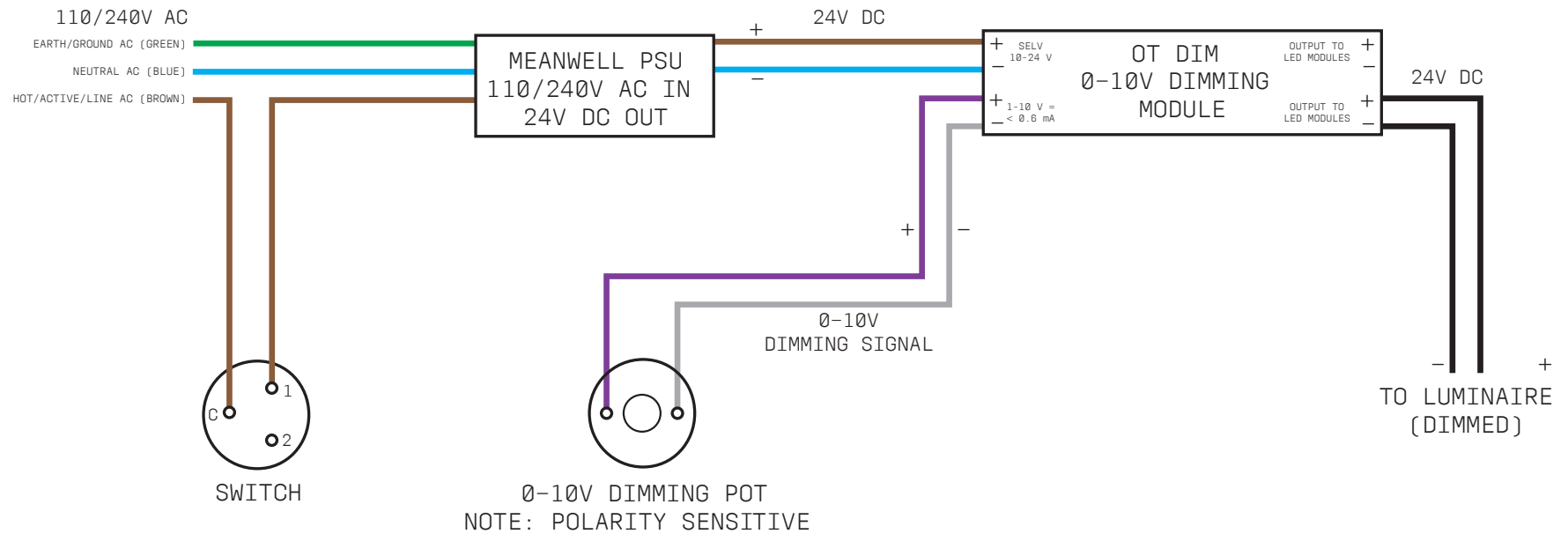
Note: To have the luminaire unswitched, simply remove the switch from the circuit.



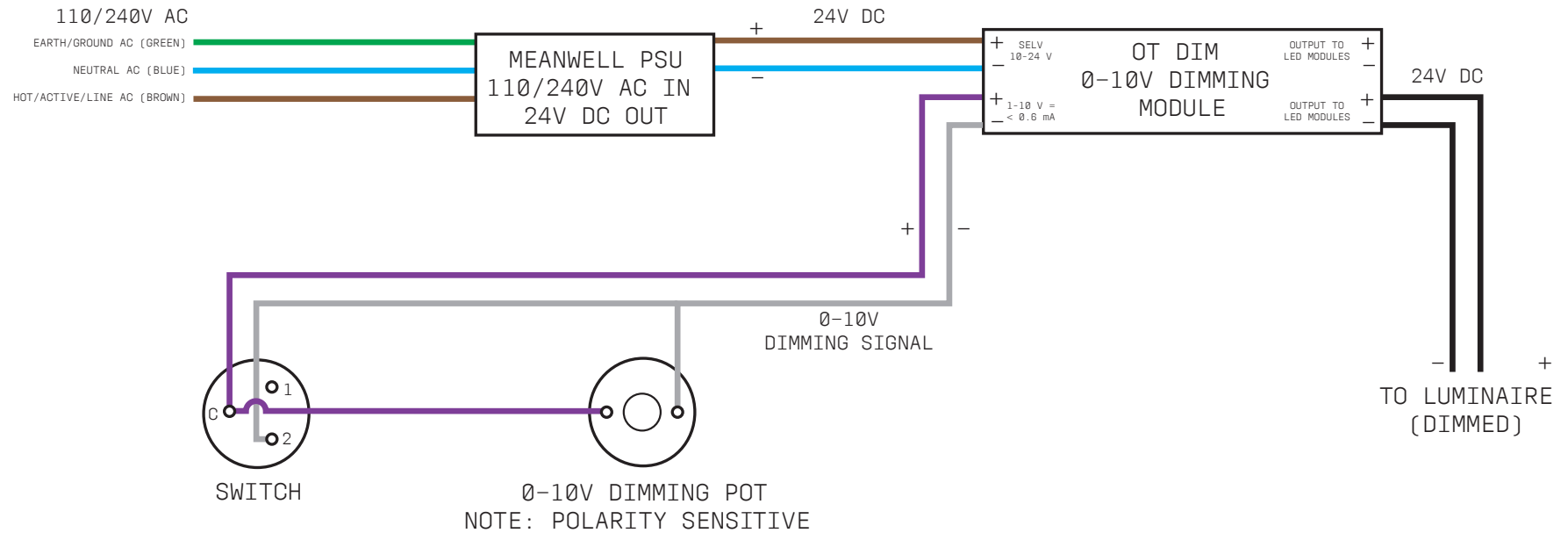
# 24V DC LED LUMINAIRE - DIMMED

## SWITCHED 110/240V AC PRIMARY DIMMED 24V DC SECONDARY

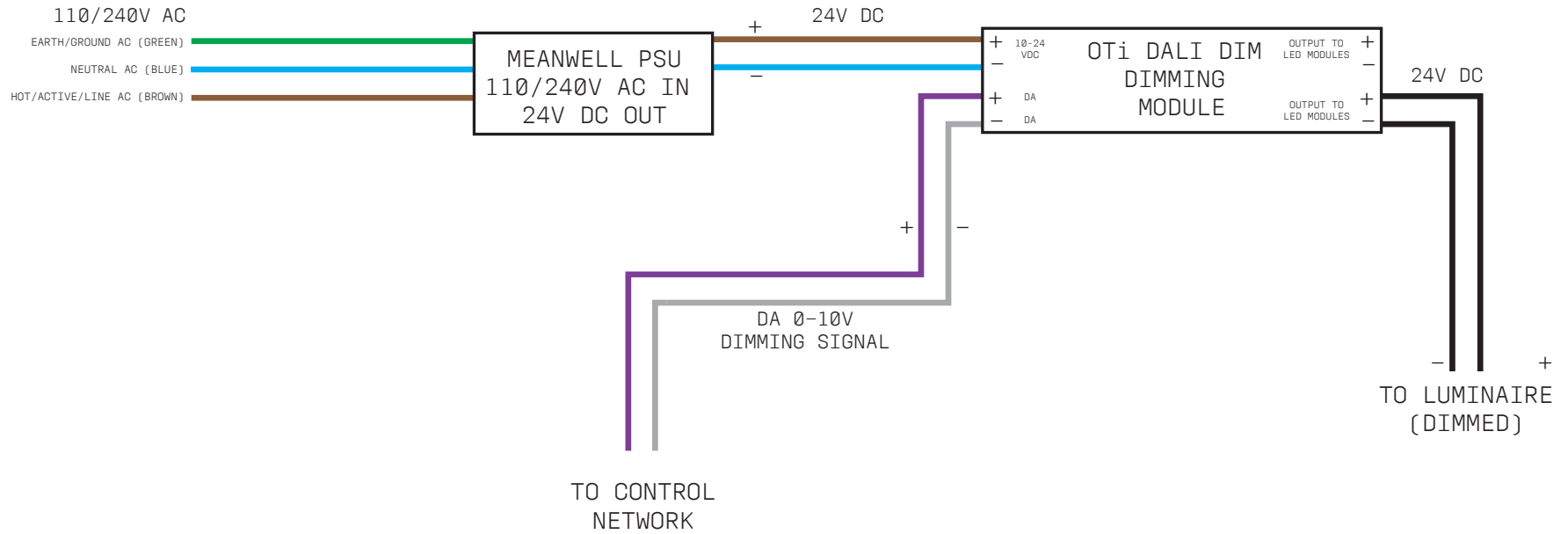
### W.24.010.P



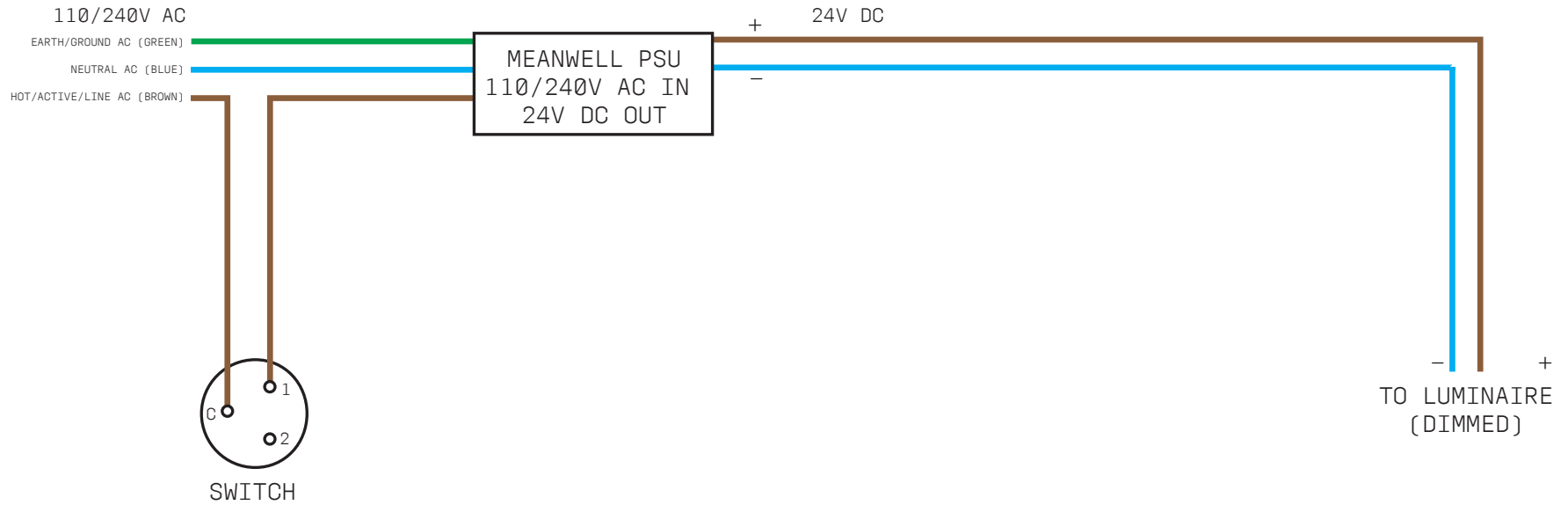
# 24V DC LED LUMINAIRE - DIMMED SWITCHED + DIMMED 24V DC SECONDARY W.24.010.S



# 24V DC LED LUMINAIRE - DIMMED NETWORK CONTROLLED W.24.NC

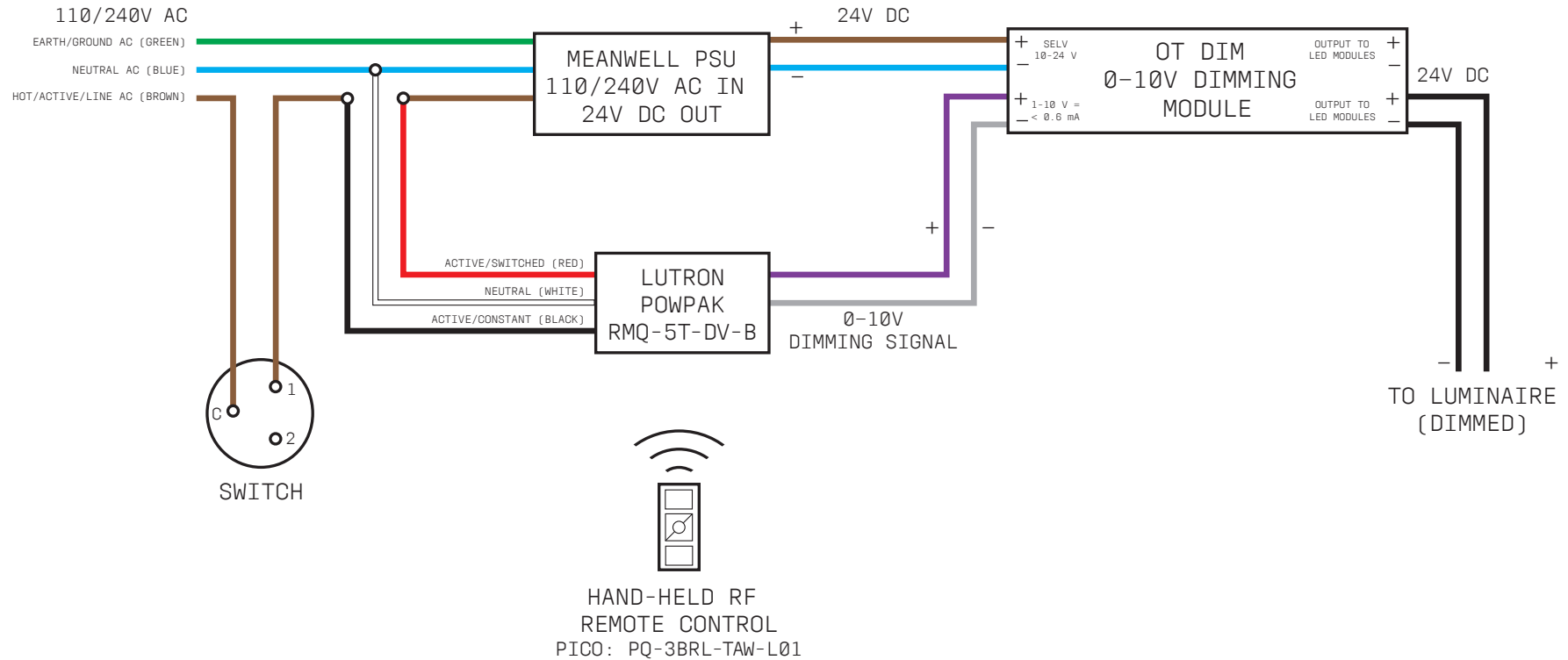


# 24V DC LED LUMINAIRE - NO DIMMING SWITCHED 240V AC PRIMARY W.24.ND



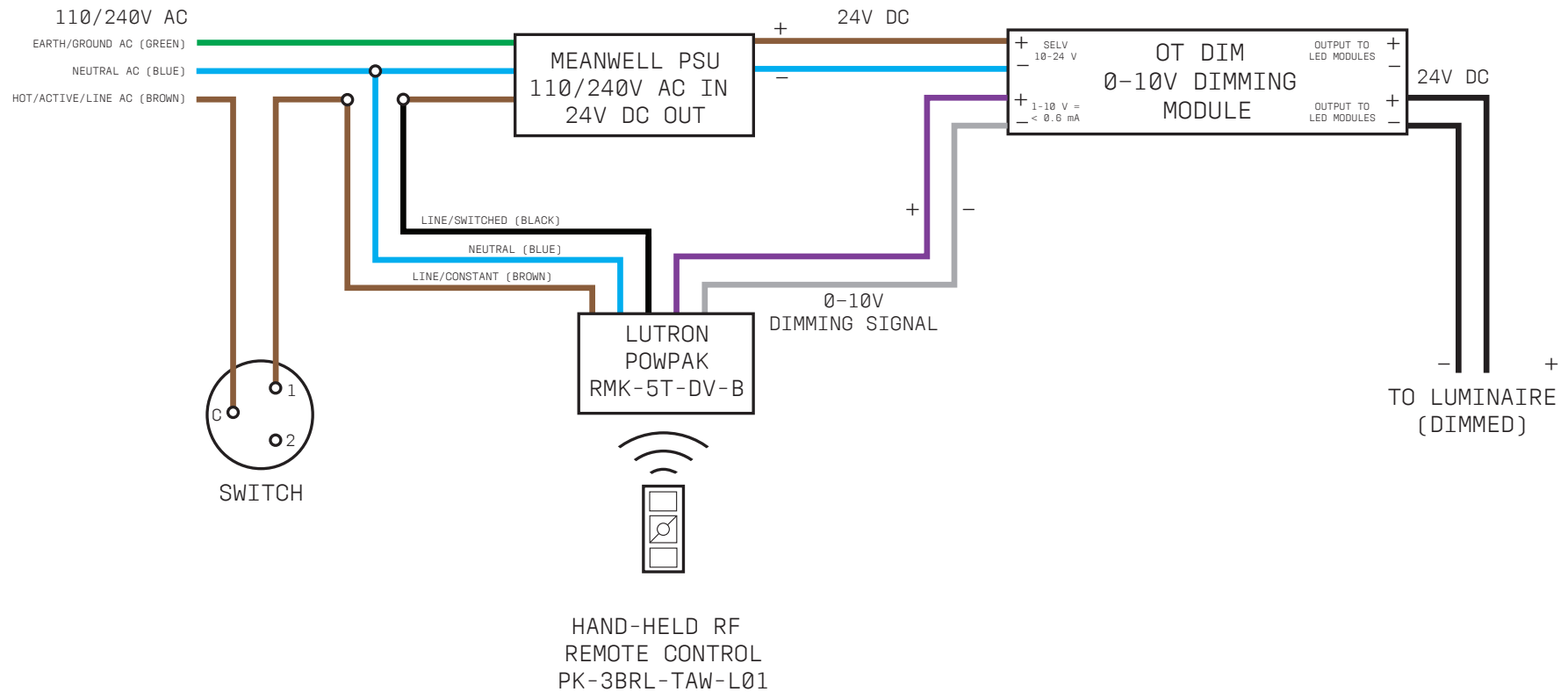
# 24V DC LED LUMINAIRE + RADIO FREQUENCY (RF) DIMMED SWITCHED 110/240V AC PRIMARY - DIMMED 24V DC SECONDARY W.24.RF.AU / W.24.RF.HK

● AUS / HONG KONG



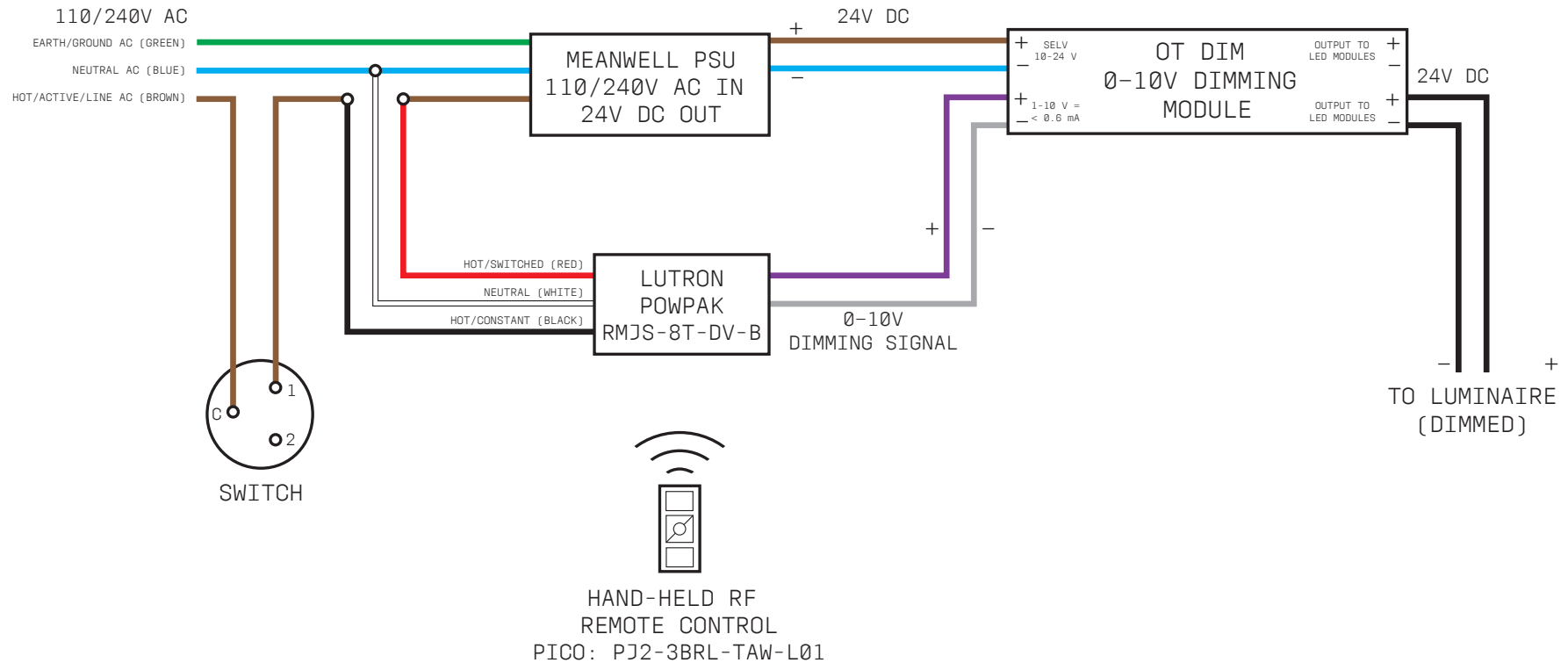
Note: To have the luminaire unswitched, simply remove the switch from the circuit.

# 24V DC LED LUMINAIRE + RADIO FREQUENCY (RF) DIMMED SWITCHED 110/240V AC PRIMARY - DIMMED 24V DC SECONDARY W.24.RF.UK



# 24V DC LED LUMINAIRE + RADIO FREQUENCY (RF) DIMMED SWITCHED 110/240V AC PRIMARY - DIMMED 24V DC SECONDARY W.24.RF.US / W.24.RF.MX / W.24.RF.CA

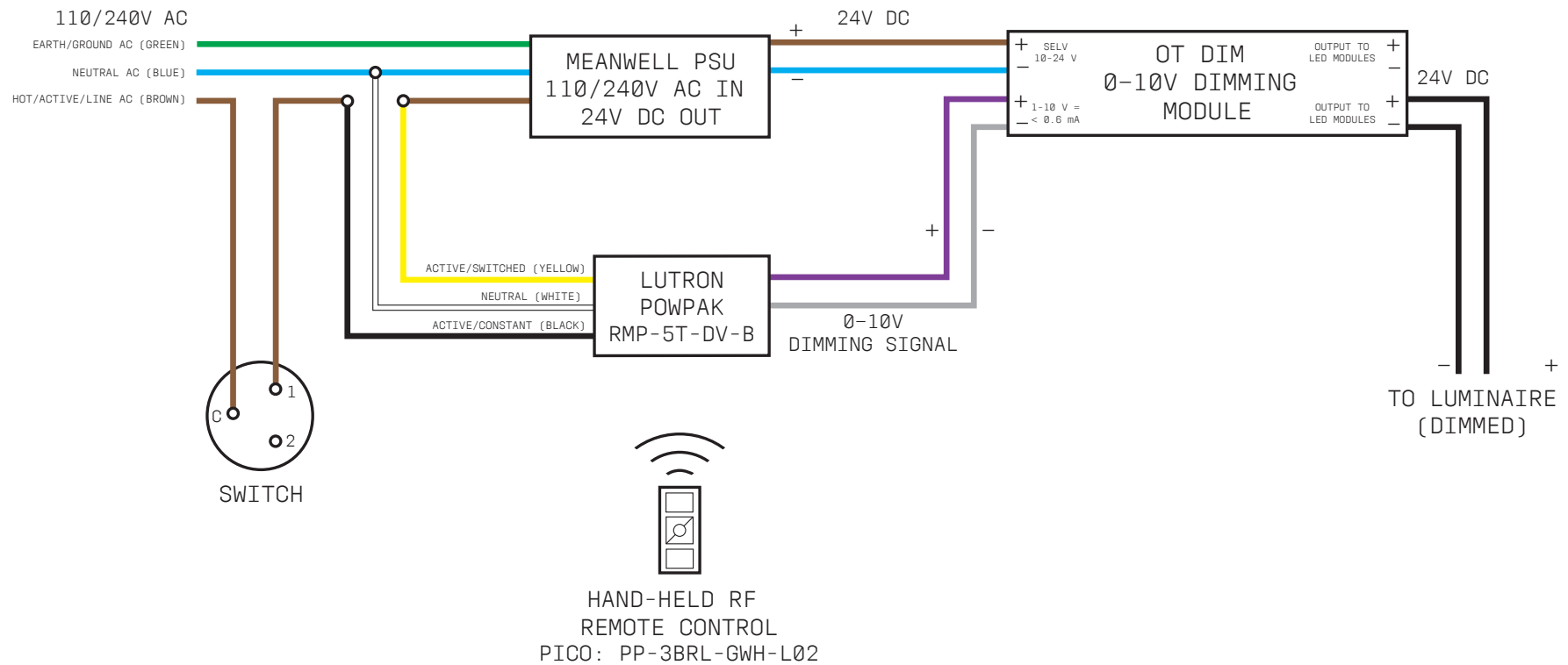
● USA / MEXICO / CANADA



Note: To have the luminaire unswitched, simply remove the switch from the circuit.

# 24V DC LED LUMINAIRE + RADIO FREQUENCY (RF) DIMMED SWITCHED 110/240V AC PRIMARY - DIMMED 24V DC SECONDARY W.24.RF.JP

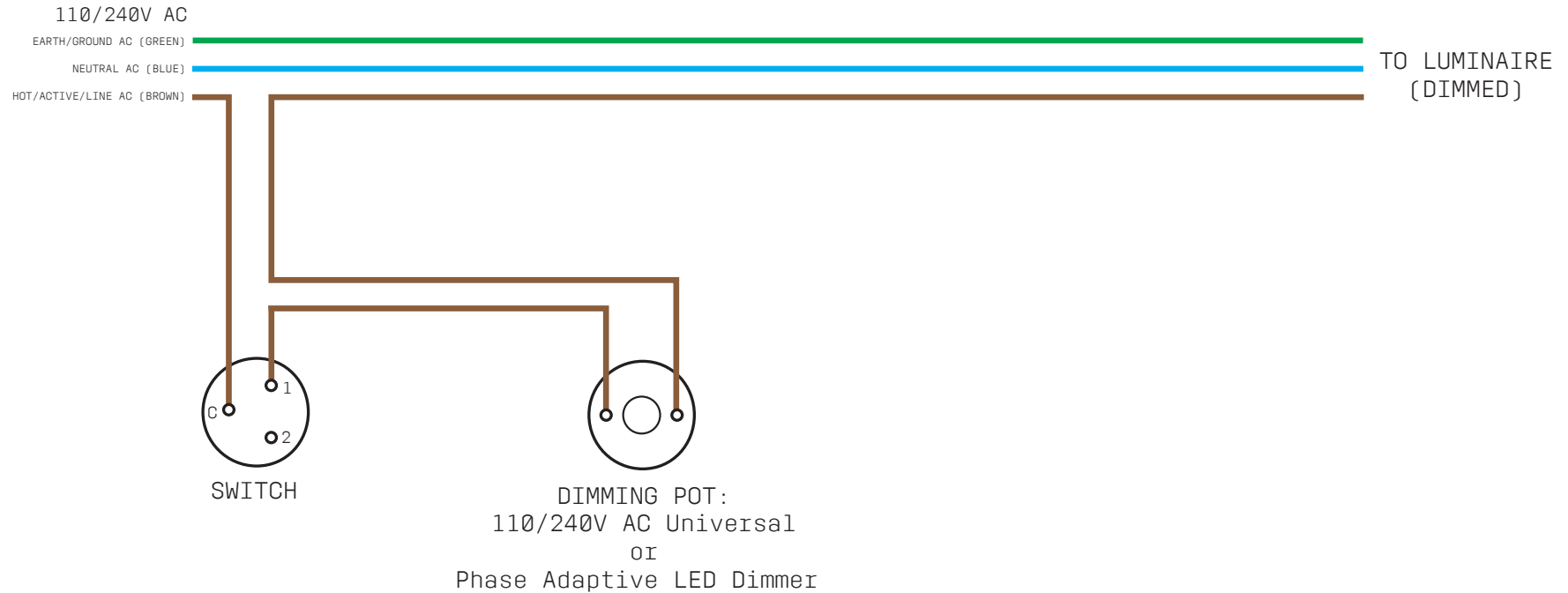
● JAPAN



Note: To have the luminaire unswitched, simply remove the switch from the circuit.



# 110/240V AC LED LUMINAIRE + DIMMED SWITCHED + DIMMED 110/240V AC W.110.POT / W.120.POT / W.240.POT

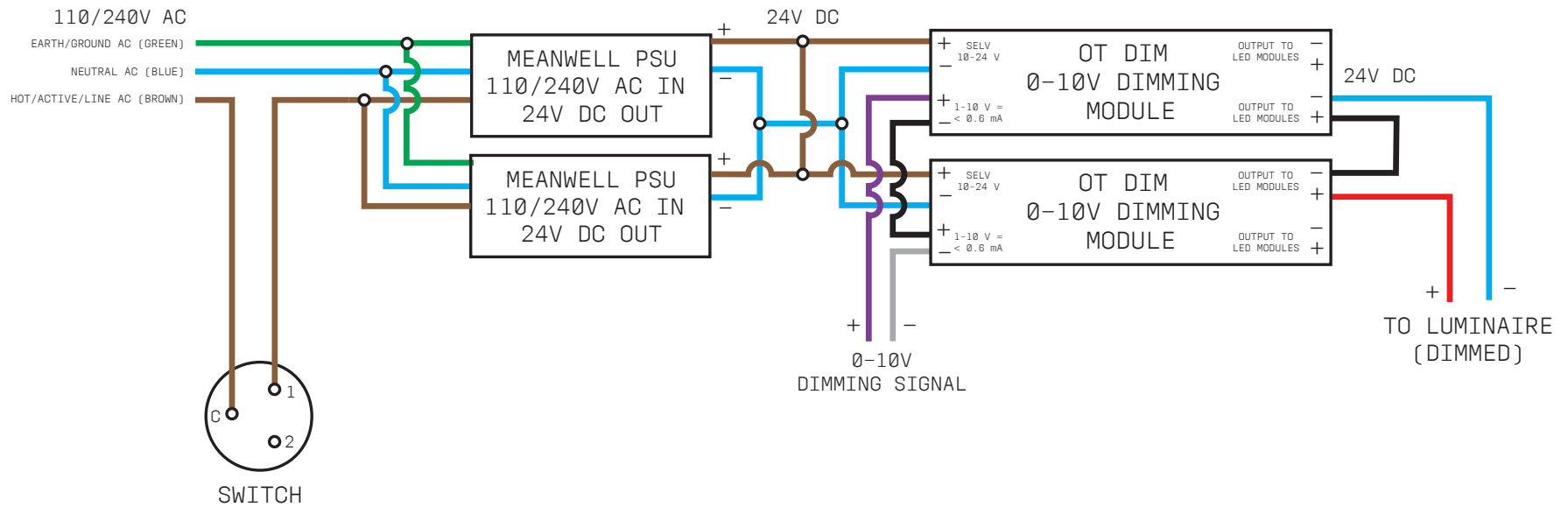


Note: To have fitting undimmed, simply remove dimming pot from the circuit.  
Load Correction Capacitor may need to be installed.

# 24V DC IN PARALLEL TO LED LUMINAIRE - DIMMED

## SWITCHED 110/240V AC PRIMARY DIMMED 24V DC SECONDARY

### W.24.010.PARA



Note: To have the luminaire unswitched, simply remove the switch from the circuit.