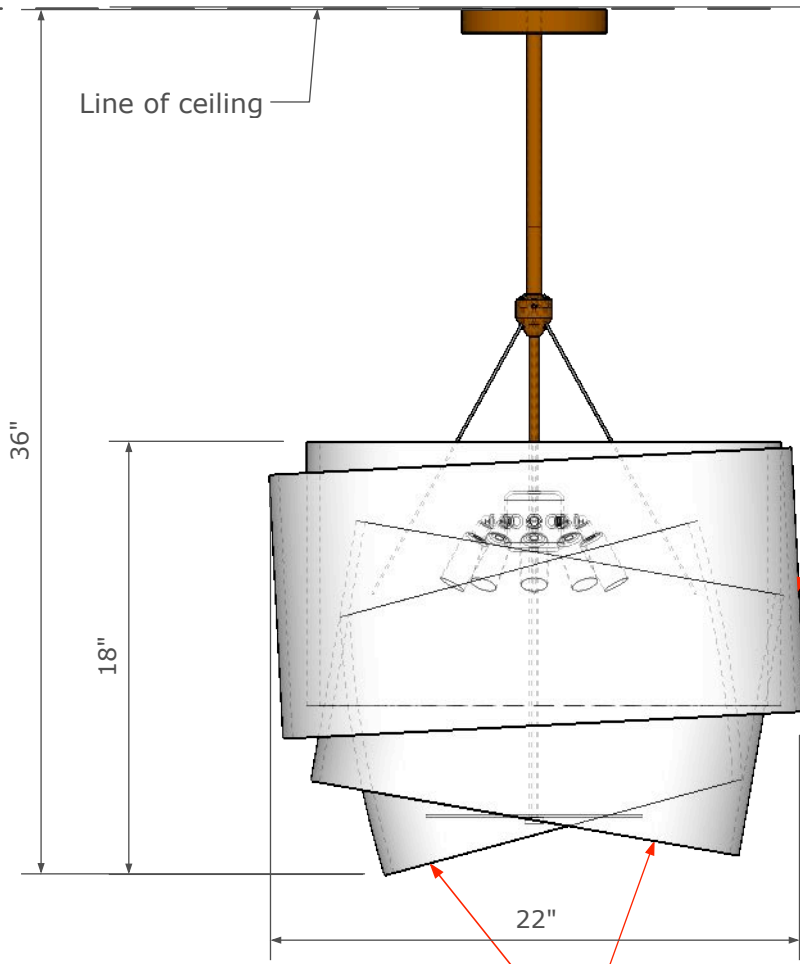


Installation Notes

Additional blocking recommended for Heavy Fixture.
Estimated Fixture Weight: 45-65lbs

HD J Box w/ 3/8" IP Nipple
Provided by contractor.

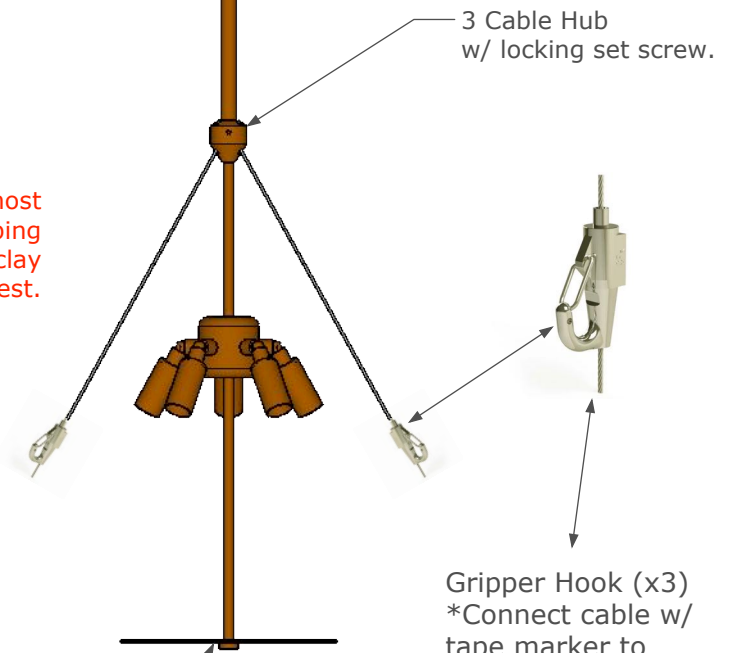


Canopy w/ Slip Ring.

The side which is most flat with overlapping layers and thick clay is the strongest.

DO NOT lift from these edges

*Shape of Mobius is for reference only, proportions and scale will vary. Each fixture is made by hand and unique. Finished Dimensions may vary slightly +/-1"



Diffuser w/ finial.

Installation Notes

* The ceramic fixture will arrive packed upside down. The fixture is very sturdy, but please DO NOT lift or handle the fixture from the edges of any single "ribbon". To handle the fixture, please grip from the surfaces where "ribbons" overlap and the ceramic looks thicker.

The metal stem and hardware needs to be installed first, prior to handling of the ceramic fixture. A 3/8"IP Nipple and Hickey are provided, the fixture hangs from a 1/4"IP stem. Please wear gloves when handling the metal hardware, it is brass with a live patina.

When it is time to hang the ceramic fixture, prepare a soft pad with foam and/or bubble wrap to flip the fixture right side up. Rotate the fixture gently onto its strongest side, more flat with overlapping ribbons, and then continue to rotate right side up so it is supported by the soft pad. The fixture can also rest on its side for a short period of time.

Due to the weight of the fixture, we recommend resting the fixture on an elevated platform as close to the finished hanging height as possible, prior to lifting for installation.

Cables and the corresponding loops within the fixture are marked with tape. The gripper hooks have been pre-adjusted so the fixtures hang level, there is no need to move the gripper hooks along the cables as long as the indicated gripper is hooked to the corresponding loop.

We recommend a minimum of 2 people to lift the fixture up, while another person connects the gripper hooks to the loops by reaching over the top from above and into the fixture. The loops of the fixture are designed for the gripper hook to rest between the compression sleeves of the exposed cable.

Once the fixture is hanging from the metal cables and gripper hooks, it can be rotated to achieve the desired position. Loosen the set screw within the "3 Cable Puck" slightly, grip the 3-cable puck with a soft, non-abrasive material, and rotate slowly. Be sure and double check this rotation does not loosen the threaded pipe within the J-box. Once the desired position is achieved, secure the 3-cable puck in place with the set screw. DO NOT rotate more than 360 degrees, and double check the nuts are secure within the J-box.

Raise the canopy to the ceiling and secure in place with the slip ring.

Remove any blue tape markers.

Adjust the angle of the light sockets to approximately 45 degrees each, install the light bulbs provided, and then the diffuser.