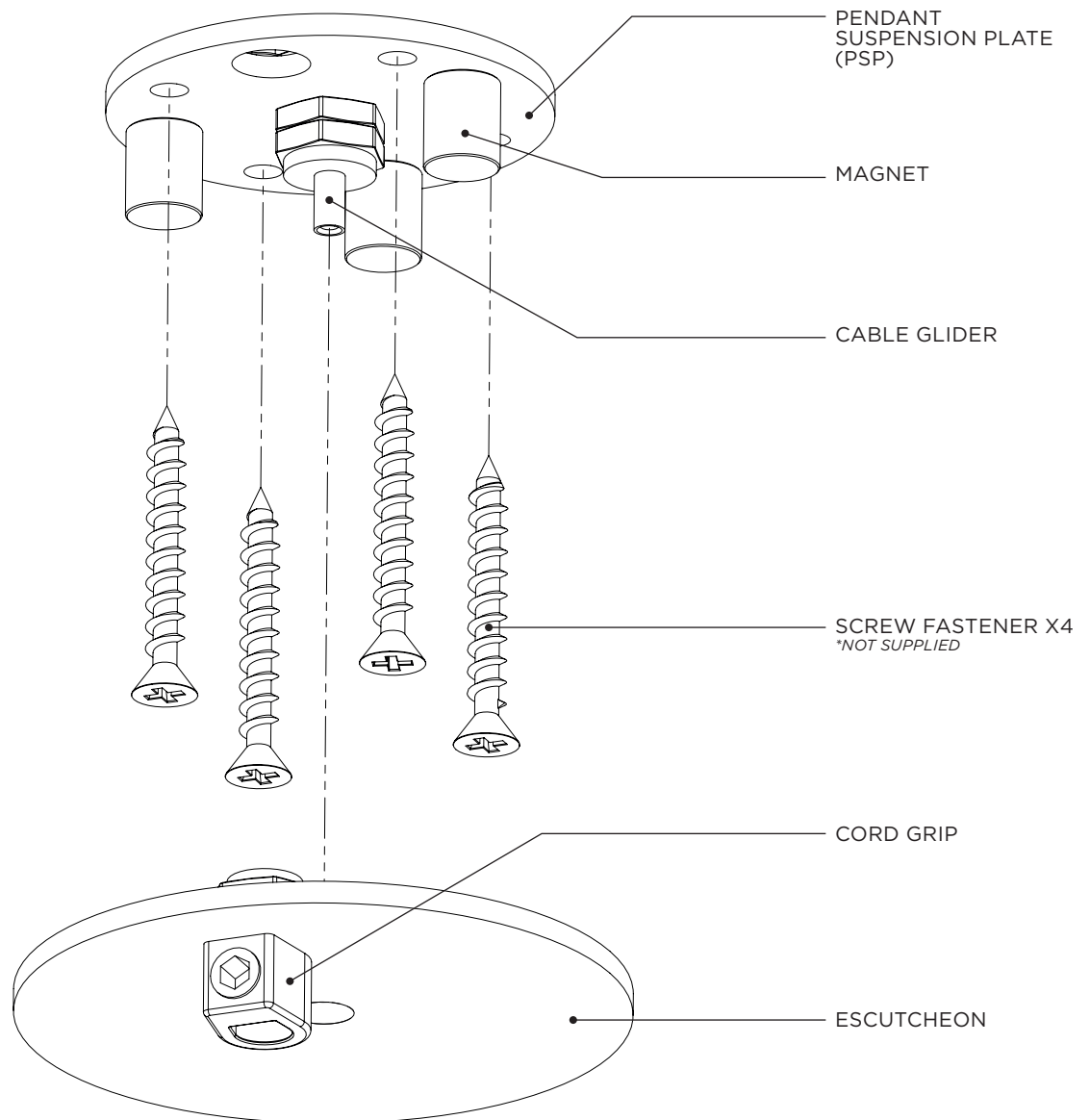


INSTALLATION GUIDE

CANOPY - ROUND FLUSH SMALL

SINGLE POINT SUSPENSION
RFS.1



INSTALLATION GUIDE

CANOPY - ROUND FLUSH SMALL

SINGLE POINT SUSPENSION
RFS.1



WARNING: SHOCK HAZARD

May result in serious injury or death.
ENSURE POWER IS OFF before commencing any work.



WARNING: ELECTRICAL

ALL ELECTRICAL connections must be made by a qualified electrician in accordance with the regulations and codes governing the area for which the CHRISTOPHER BOOTS Fixture is intended to be installed in. Failure to do so may result in serious harm or damage to property and life, at the owner's liability and expense.

CHRISTOPHER BOOTS will not be held liable for any damage caused from installation.



WARNING: STRUCTURAL

Ensure that the substrate is securely installed and is in accordance with local building regulations. Failure to do so may potentially result in serious harm or damage of property, at the owner's liability and expense.

CHRISTOPHER BOOTS will not be held liable for any damage caused from installation.



Refer to supplied WIRING DIAGRAM.

INSTALLATION GUIDE

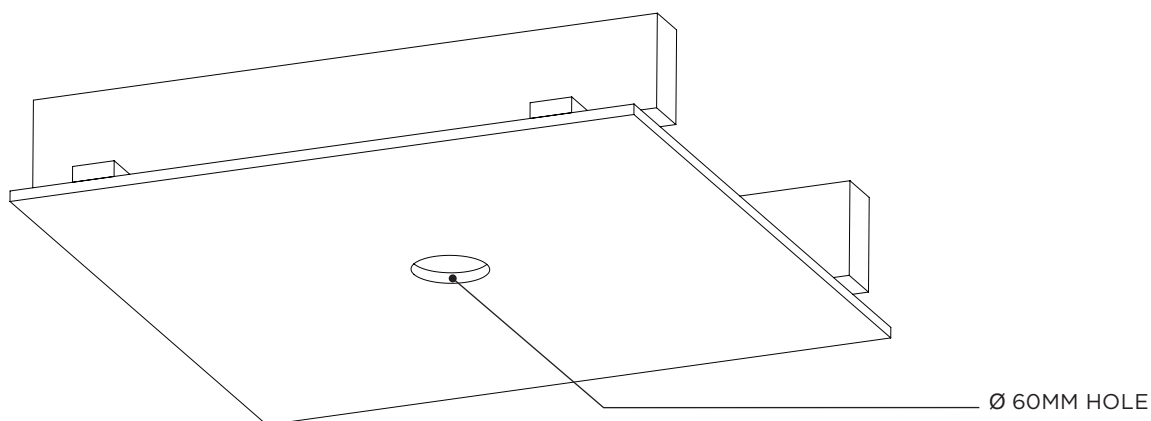
CANOPY - ROUND FLUSH SMALL

SINGLE POINT SUSPENSION
RFS.1

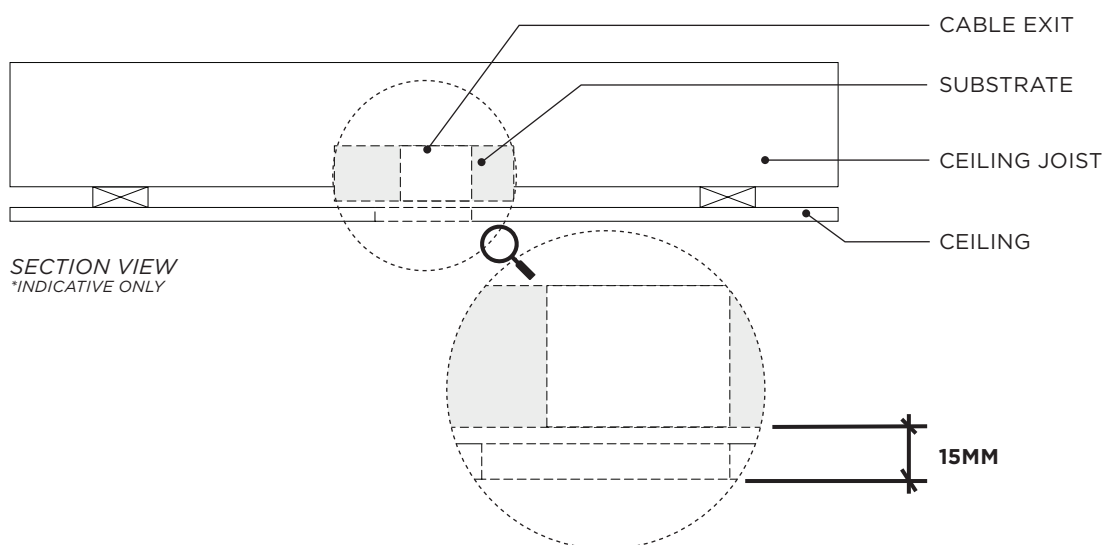
- 1 Wearing gloves, unpack the SMALL FLUSH CANOPY with care, ensuring not to scratch the surface of the ESCUTCHEON.

Separate the ESCUTCHEON from the PSP. These are connected via Magnets and can be pulled apart using moderate force.

- 2 Cut a $\varnothing 60\text{mm}$ hole in the ceiling for the PSP, central to the position of the canopy.



- 3 Installer to provide adequate load-bearing substrate, utilising ceiling joists where additional support is required. The mounting face of the substrate must be set back 15mm from the ceiling facade. For accurate placement, refer to the DRILLING TEMPLATE on the last page of this document.

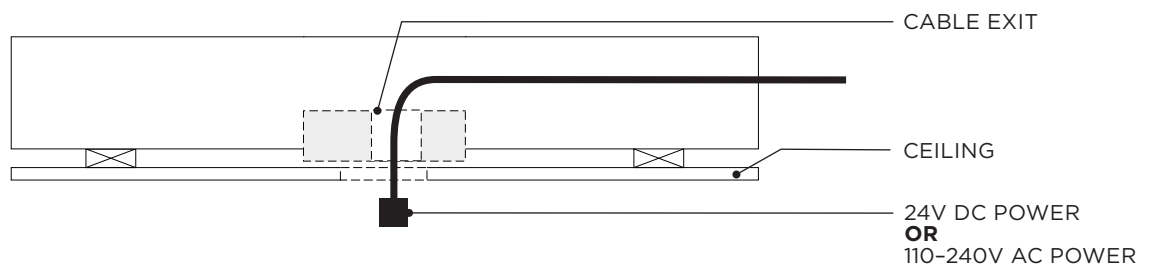


INSTALLATION GUIDE

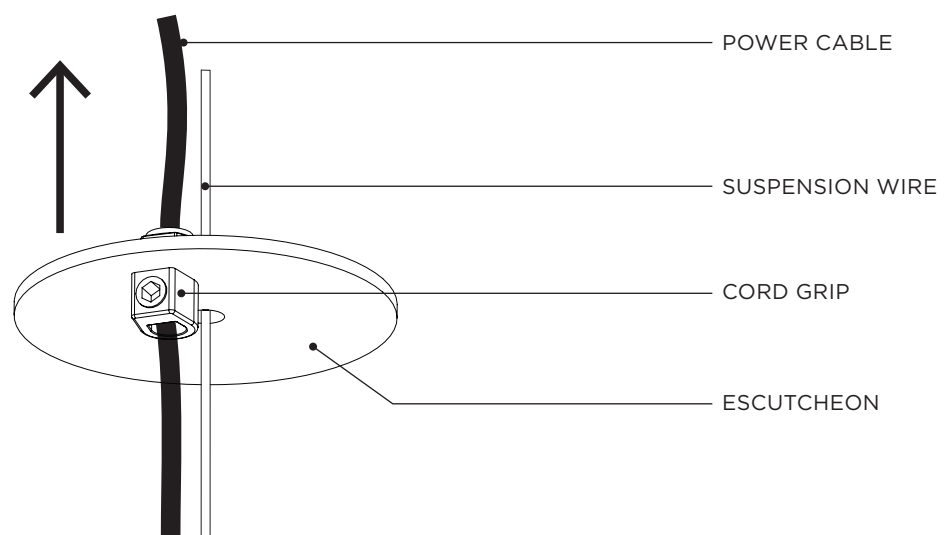
CANOPY - ROUND FLUSH SMALL

SINGLE POINT SUSPENSION
RFS.1

- 4** Depending on the voltage of the pendant, prepare either the remotely located 24V DC Power Supply OR the 110-240V AC cable for connection to the pendant.
Refer to supplied WIRING DIAGRAM →



- 5** From the pendant, feed the SUSPENSION WIRE through central hole in the ESCUTCHEON and POWER CABLE through the CORD GRIP as shown.

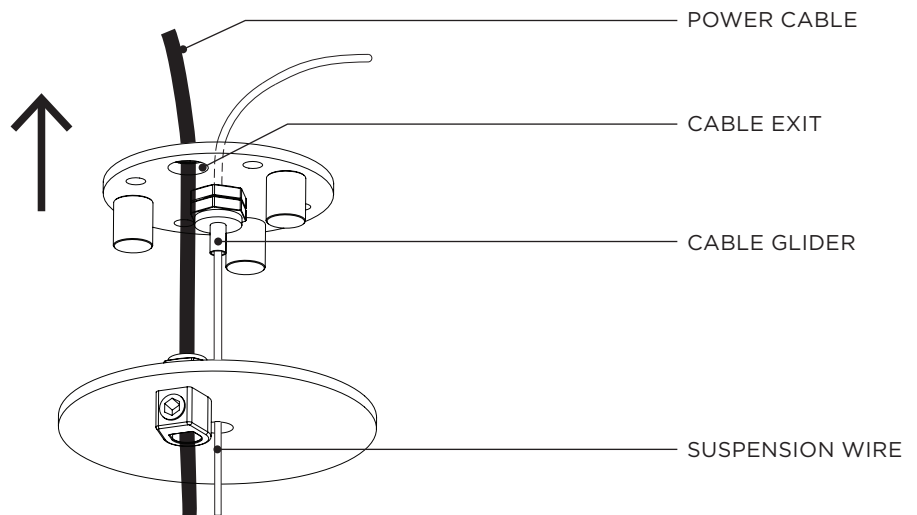


INSTALLATION GUIDE

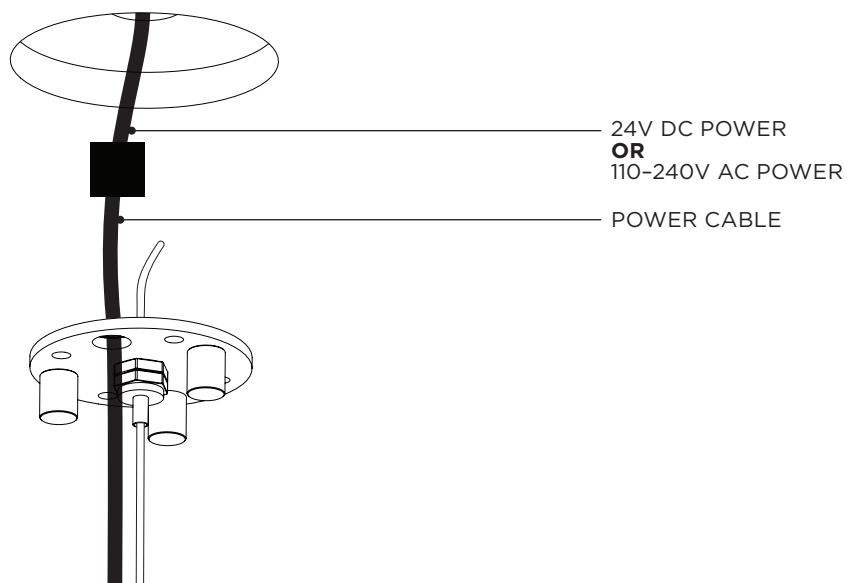
CANOPY - ROUND FLUSH SMALL

SINGLE POINT SUSPENSION
RFS.1

- 6** Feed the SUSPENSION WIRE through the CABLE GLIDER, followed by the POWER CABLE through the CABLE EXIT.



- 7** Connect the 24V DC or 110-240V AC POWER to the POWER CABLE. Refer to supplied WIRING DIAGRAM →

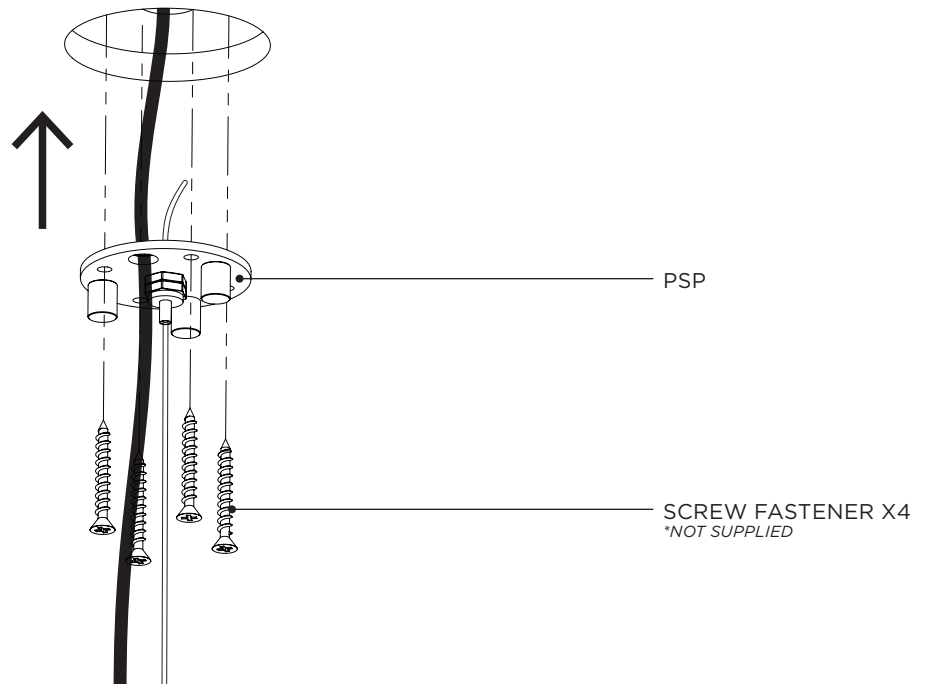


INSTALLATION GUIDE

CANOPY - ROUND FLUSH SMALL

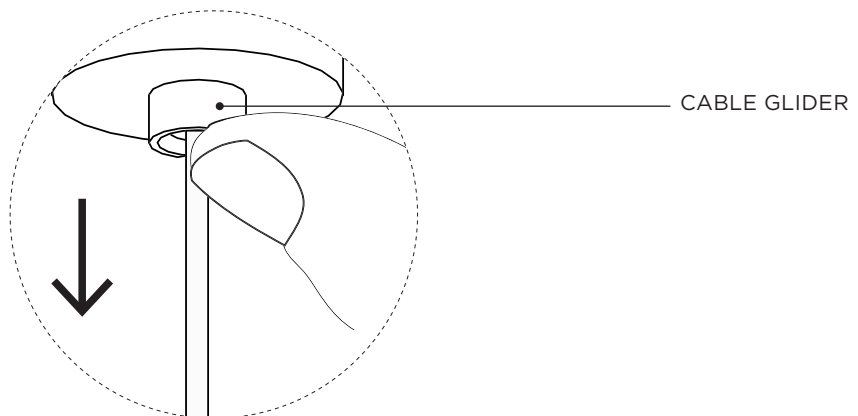
SINGLE POINT SUSPENSION
RFS.1

- 8** Attach the PSP to the prepared Substrate with appropriate fasteners.



- 9** Raise the PENDANT, feeding excess cable through the CABLE GLIDERS. Set into position by gently lowering the PENDANT.

While supporting the pendant make necessary adjustments; To lower, press the cable gliders gently allowing excess cable to slide downwards. To raise, gently feed the cables up through the cable gliders. When satisfied with arrangement, ensure that neither the PENDANT or SUSPENSION components are touching.

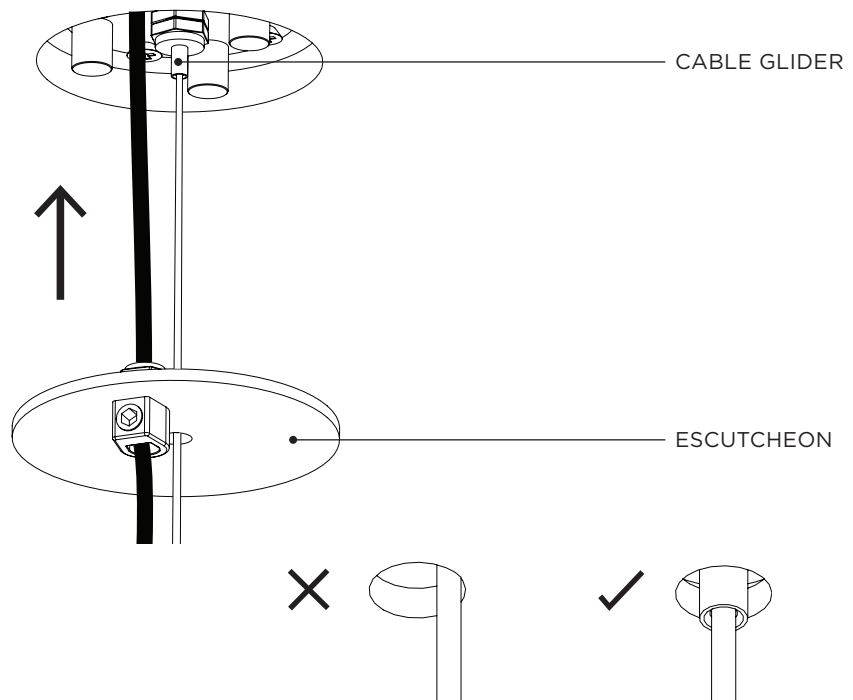


INSTALLATION GUIDE

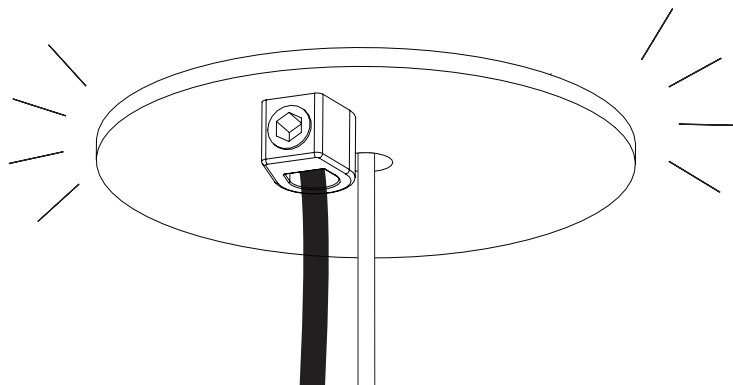
CANOPY - ROUND FLUSH SMALL

SINGLE POINT SUSPENSION
RFS.1

- 10** Carefully raise ESCUTCHEON to the ceiling until the Magnets engage. Ensure no contact between ESCUTCHEON and CABLE GLIDER, as this may release the suspension wire.



- 11** With the ESCUTCHEON in place, ensure the CORD GRIP is adequately tightened on to the POWER CABLE and make any necessary final adjustments to the PENDANT.



DRILLING TEMPLATE

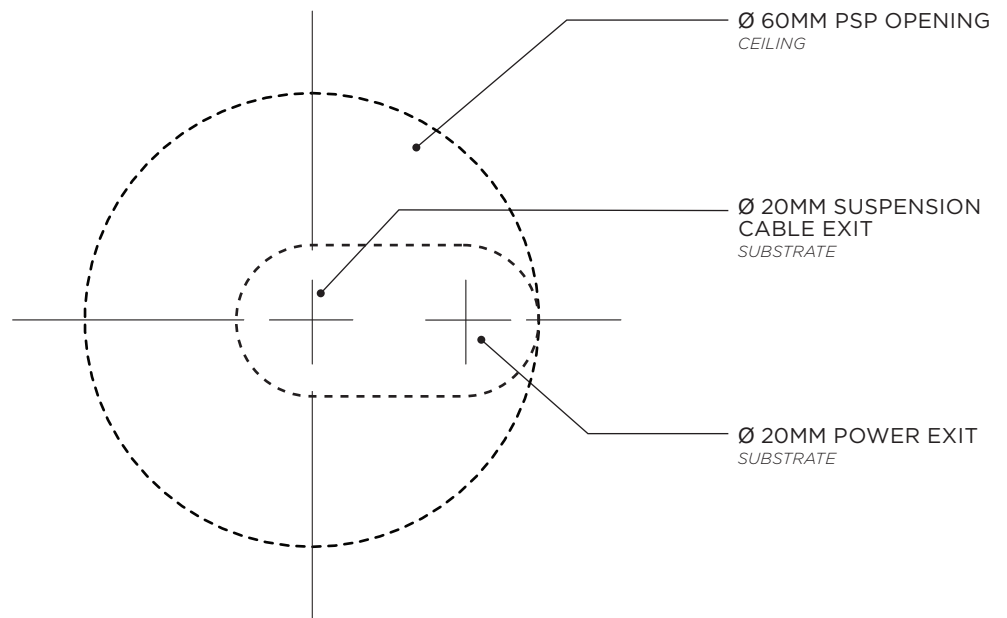
CANOPY - ROUND FLUSH SMALL

SINGLE POINT SUSPENSION
RFS.1

- 12 Conduct a final visual assessment of both the canopy and fixture to ensure all parts have been properly fitted and secured. Once satisfied that everything is in working order, remove all remaining protective material which will now complete the installation process.

FINISH

DRILLING TEMPLATE



MEASURE BEFORE CUTTING AS TEMPLATE MAY NOT BE TO SCALE

CHRISTOPHER BOOTS

+61 3 9417 6501
service@christopherboots.com
369 Gore St Fitzroy 3065 Victoria Australia
christopherboots.com

8

JUNE 2019
ALL RIGHTS RESERVED © 2019