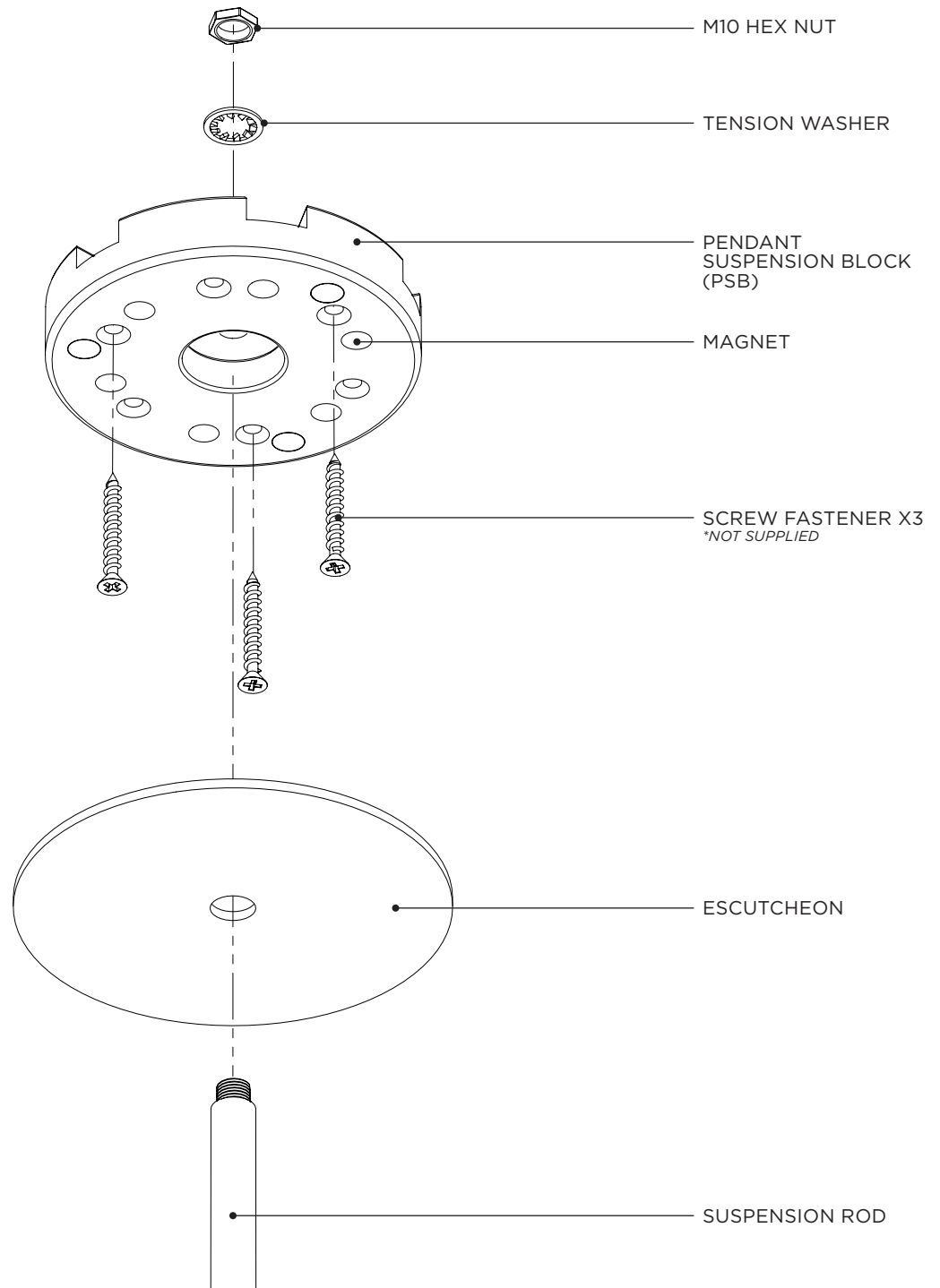


INSTALLATION GUIDE

CANOPY - ROUND FLUSH MEDIUM

ROD SUSPENSION
RFM.ROD



INSTALLATION GUIDE

CANOPY - ROUND FLUSH MEDIUM

ROD SUSPENSION
RFM.ROD



WARNING: SHOCK HAZARD

May result in serious injury or death.
ENSURE POWER IS OFF before commencing any work.



WARNING: ELECTRICAL

ALL ELECTRICAL connections must be made by a qualified electrician in accordance with the regulations and codes governing the area for which the CHRISTOPHER BOOTS Fixture is intended to be installed in. Failure to do so may result in serious harm or damage to property and life, at the owner's liability and expense.

CHRISTOPHER BOOTS will not be held liable for any damage caused from installation.



WARNING: STRUCTURAL

Ensure that the substrate is securely installed and is in accordance with local building regulations. Failure to do so may potentially result in serious harm or damage of property, at the owner's liability and expense.

CHRISTOPHER BOOTS will not be held liable for any damage caused from installation.



Refer to supplied WIRING DIAGRAM.

INSTALLATION GUIDE

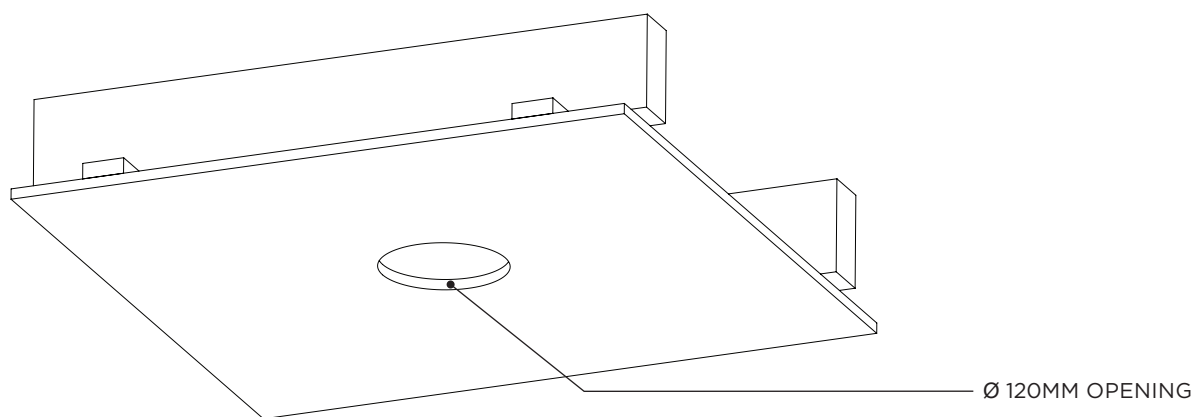
CANOPY - ROUND FLUSH MEDIUM

ROD SUSPENSION
RFM.ROD

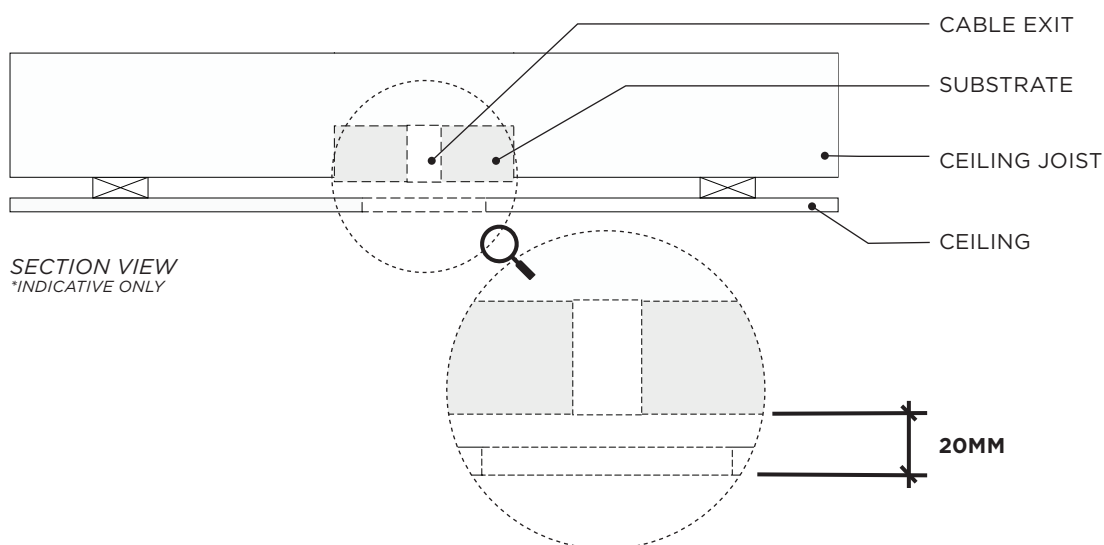
- 1 Wearing gloves, unpack the MEDIUM FLUSH CANOPY with care, ensuring not to scratch the surface of the ESCUTCHEON.

Separate the ESCUTCHEON from the PSM. These are connected via Magnets and can be pulled apart using moderate force.

- 2 Cut a $\varnothing 120\text{mm}$ hole in the ceiling for the PSB.



- 3 Installer to provide adequate load-bearing substrate, utilising ceiling joists where additional support is required. The mounting face of the substrate must be set back 20mm from the ceiling facade. For accurate placement of Cable Exits in the Substrate, use the PSB as a guide or refer to the provided template at the end of this document.

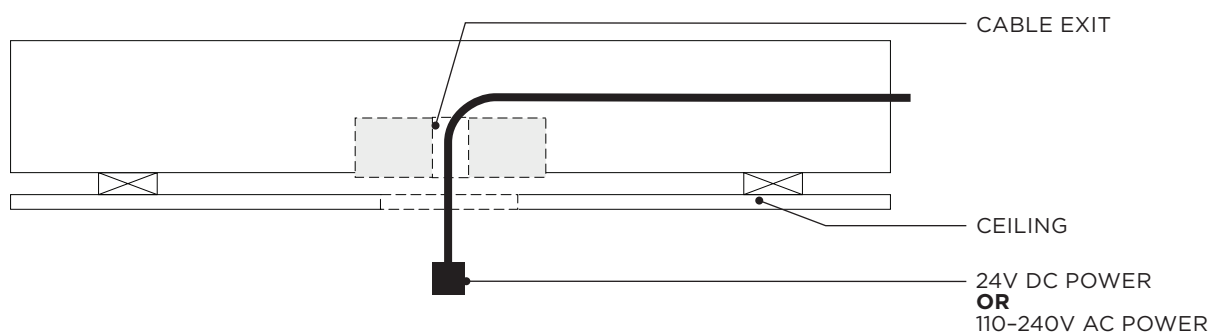


INSTALLATION GUIDE

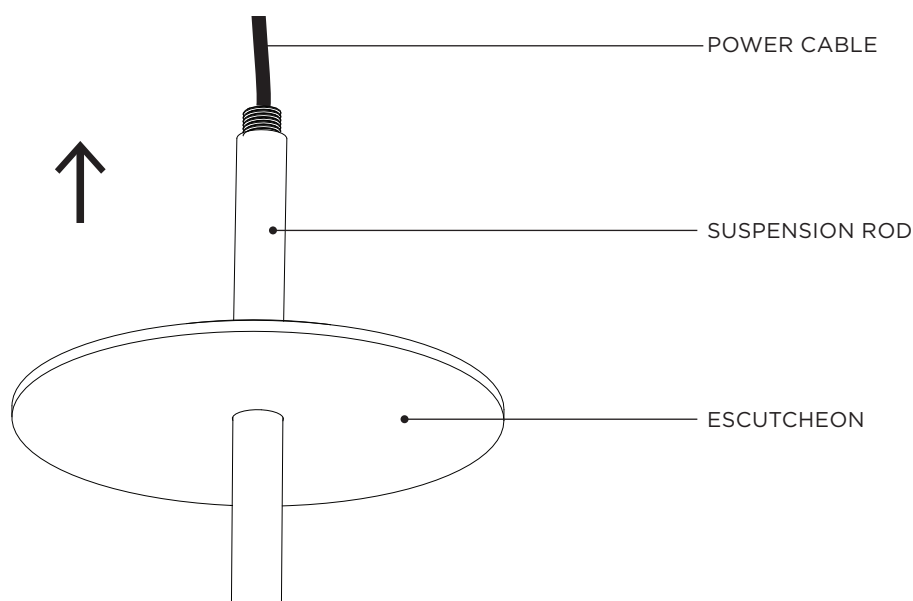
CANOPY - ROUND FLUSH MEDIUM

ROD SUSPENSION
RFM.ROD

- 4** Depending on the voltage of the pendant, prepare either the remotely located 24V Power Supply OR the 110–240V AC cable for connection to the pendant. Refer to supplied WIRING DIAGRAM →



- 5** From the pendant, feed the POWER CABLE & SUSPENSION ROD through the central hole in the ESCUTCHEON as shown ensuring not to scratch the suspension ROD.

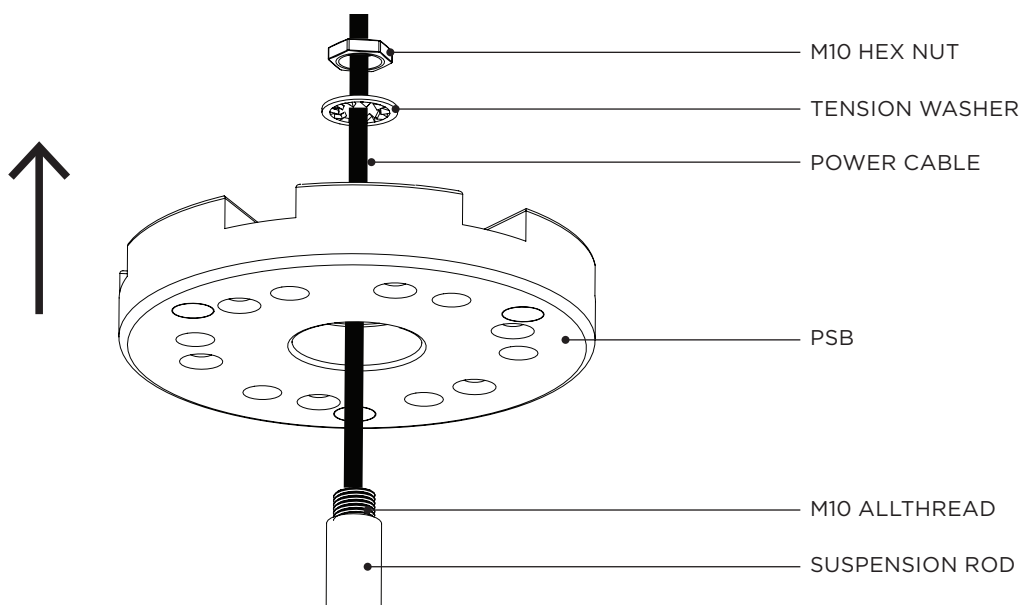


INSTALLATION GUIDE

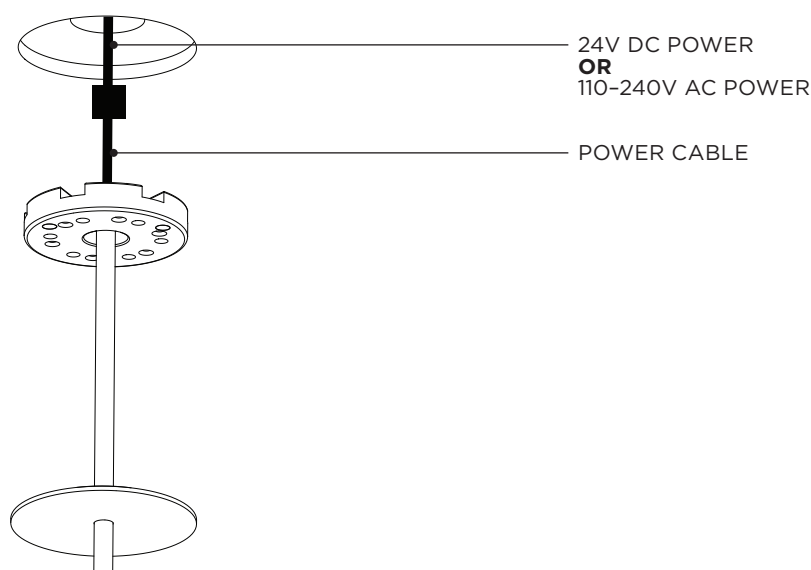
CANOPY - ROUND FLUSH MEDIUM

ROD SUSPENSION
RFM.ROD

- 6** Feed the POWER CABLE through the PSB and the provided TENSION WASHER & M10 HEX NUT, as shown.
Secure the components tightly to the threaded rod, finishing with the M10 HEX NUT.



- 7** Connect the 24V DC or 110-240V AC POWER to the POWER CABLE.
Refer to supplied WIRING DIAGRAM →

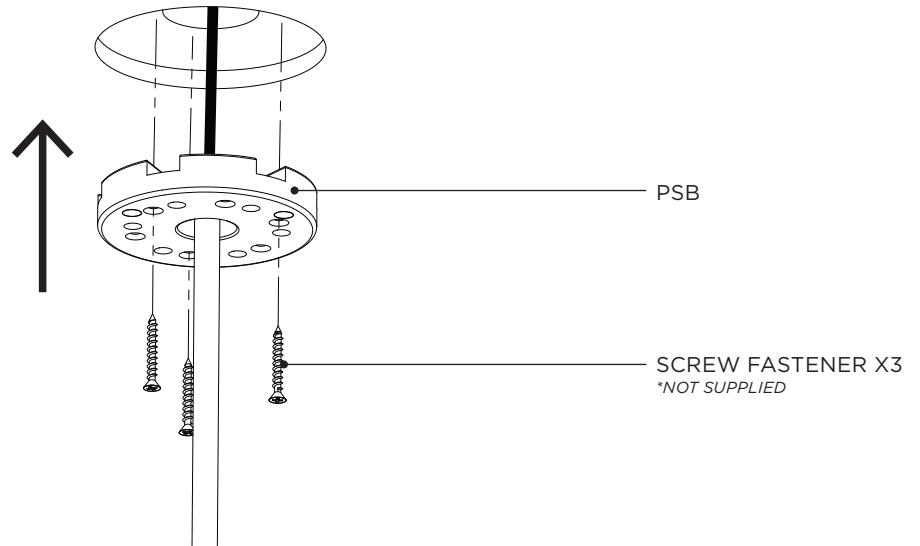


INSTALLATION GUIDE

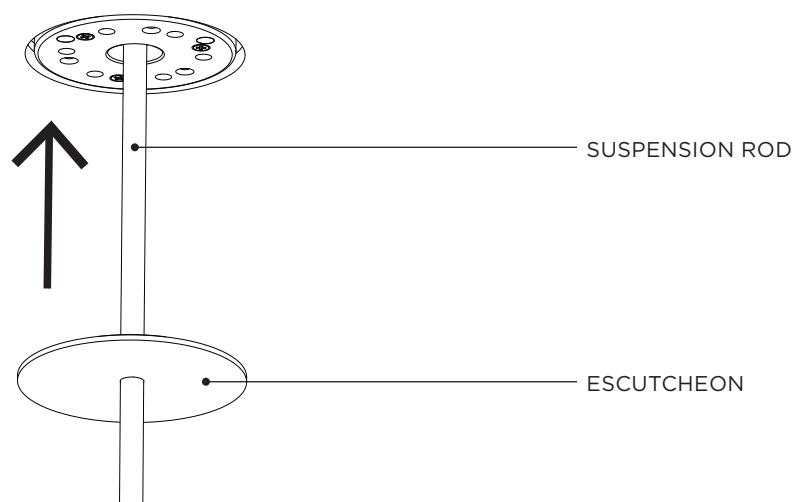
CANOPY - ROUND FLUSH MEDIUM

ROD SUSPENSION
RFM.ROD

- 8** Attach the PSB to the prepared substrate with appropriate Fasteners.



- 9** Carefully raise ESCUTCHEON to the ceiling until the Magnets engage. Ensure not to damage the SUSPENSION ROD as the ESCUTCHEON is being raised.

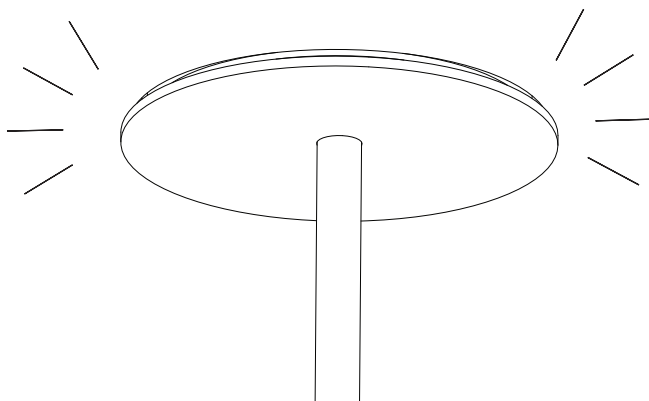


INSTALLATION GUIDE

CANOPY - ROUND FLUSH MEDIUM

ROD SUSPENSION
RFM.ROD

- 10 Conduct a final visual assessment of both the canopy and fixture to ensure all parts have been properly fitted and secured. Once satisfied that everything is in working order, remove all remaining protective material which will now complete the installation process.



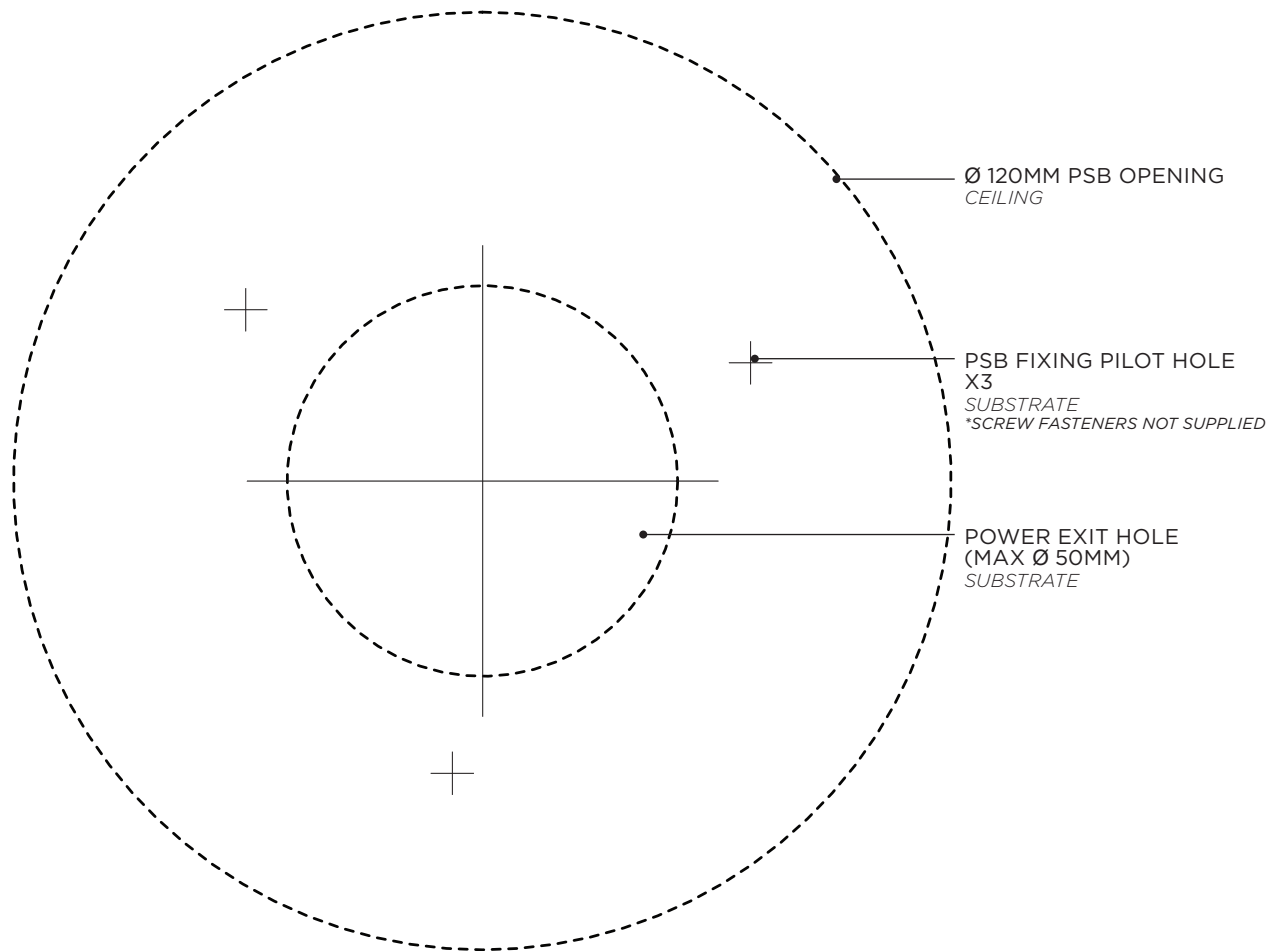
FINISH

INSTALLATION GUIDE

CANOPY - ROUND FLUSH MEDIUM

ROD SUSPENSION
RFM.ROD

..... DRILLING TEMPLATE



MEASURE BEFORE CUTTING AS TEMPLATE MAY NOT BE TO SCALE