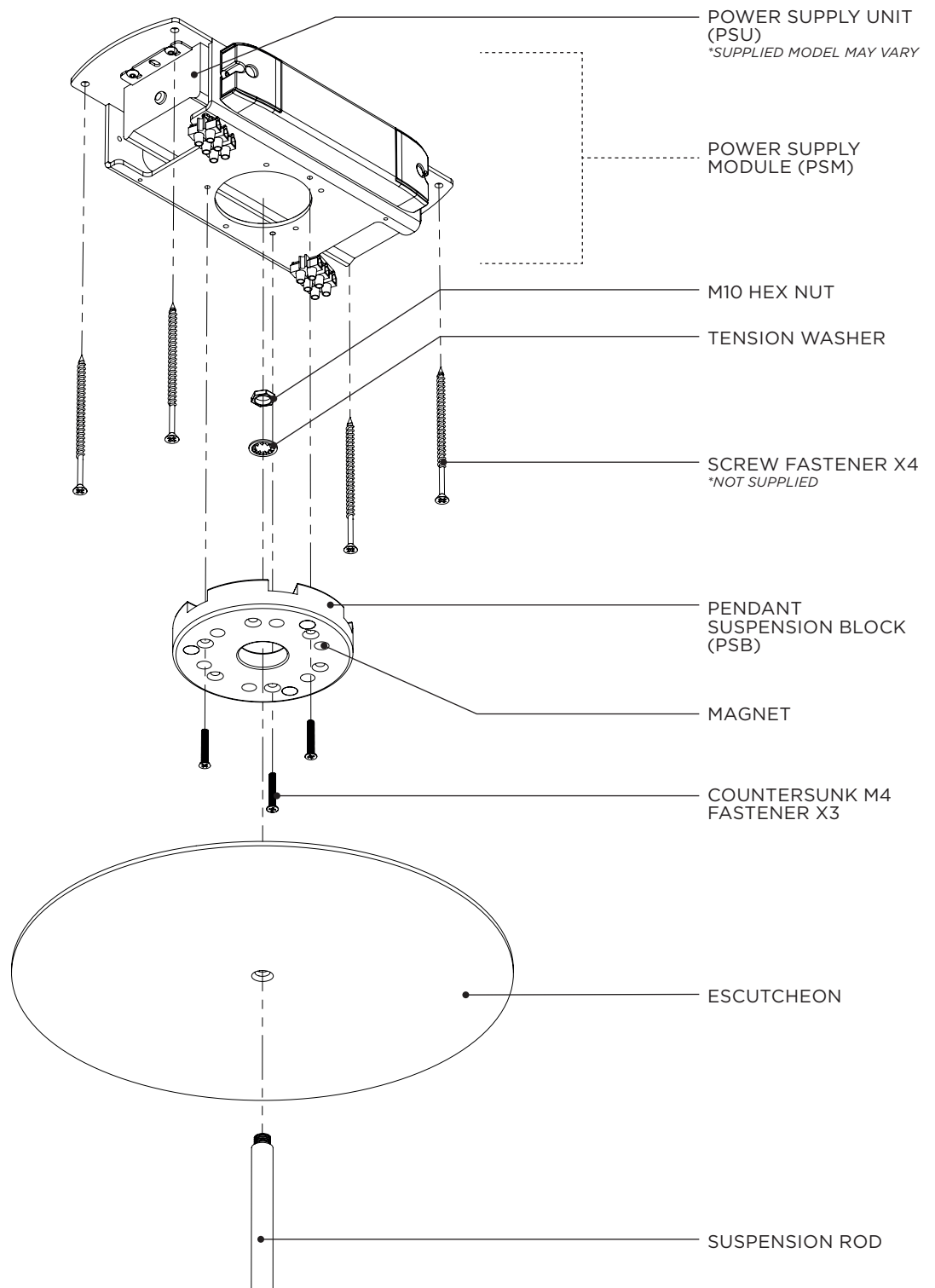


INSTALLATION GUIDE

CANOPY - ROUND FLUSH LARGE

ROD SUSPENSION
RFL.ROD



INSTALLATION GUIDE

CANOPY - ROUND FLUSH LARGE

ROD SUSPENSION
RFL.ROD



WARNING: SHOCK HAZARD

May result in serious injury or death.
ENSURE POWER IS OFF before commencing any work.



WARNING: ELECTRICAL

ALL ELECTRICAL connections must be made by a qualified electrician in accordance with the regulations and codes governing the area for which the CHRISTOPHER BOOTS Fixture is intended to be installed in. Failure to do so may result in serious harm or damage to property and life, at the owner's liability and expense.

CHRISTOPHER BOOTS will not be held liable for any damage caused from installation.



WARNING: STRUCTURAL

Ensure that the substrate is securely installed and is in accordance with local building regulations. Failure to do so may potentially result in serious harm or damage of property, at the owner's liability and expense.

CHRISTOPHER BOOTS will not be held liable for any damage caused from installation.



Refer to supplied WIRING DIAGRAM.

INSTALLATION GUIDE

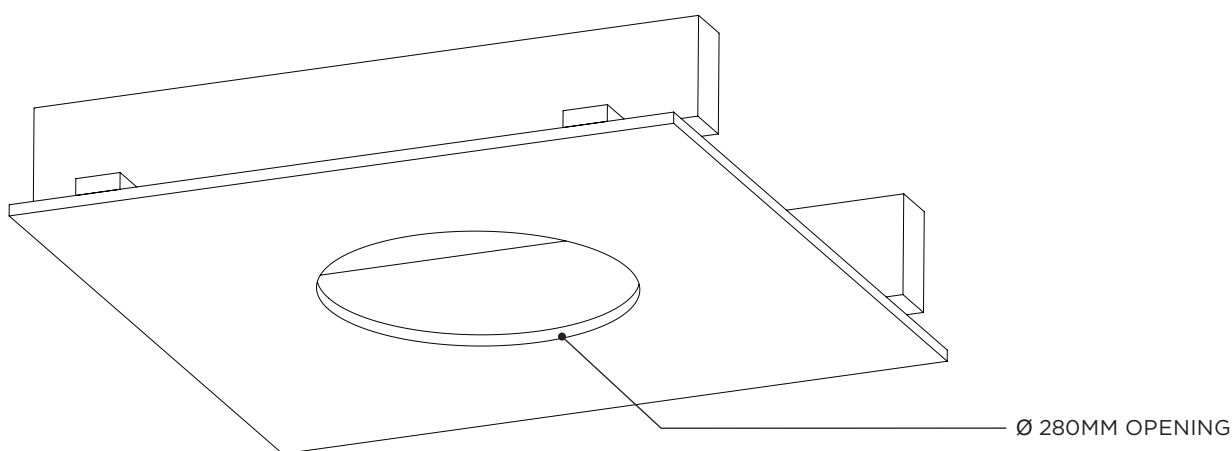
CANOPY - ROUND FLUSH LARGE

ROD SUSPENSION
RFL.ROD

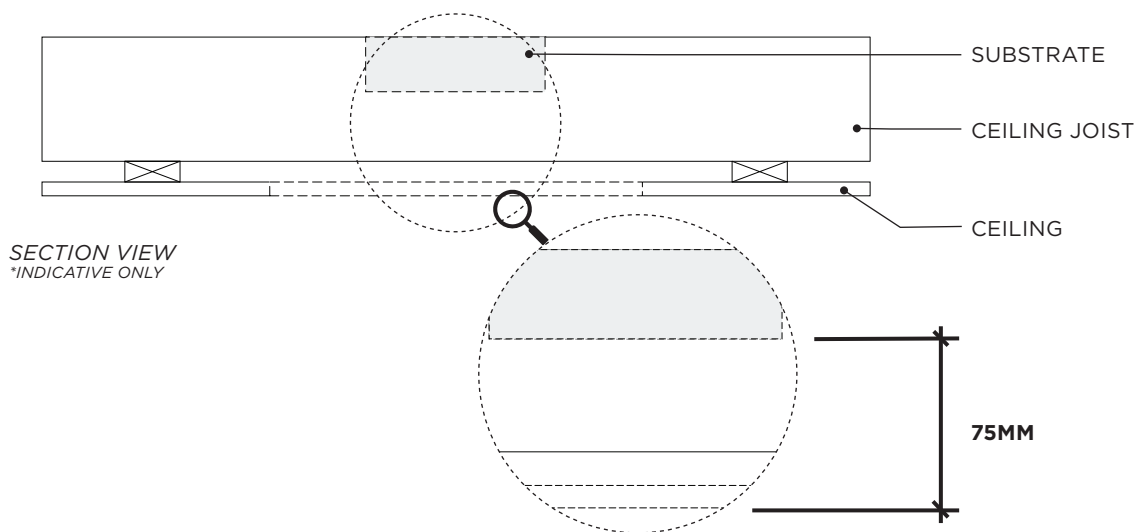
- 1 Wearing gloves, unpack the LARGE FLUSH CANOPY with care, ensuring not to scratch the delicate surface of the ESCUTCHEON.

Separate the ESCUTCHEON from PSM. These are connected via Magnets and can be pulled apart using moderate force.

- 2 Cut a $\varnothing 280\text{mm}$ hole in the ceiling for the PSB.



- 3 Installer to provide adequate load-bearing substrate, utilising ceiling joists where additional support is required. The mounting face of the substrate must be set back 75mm from the ceiling facade.

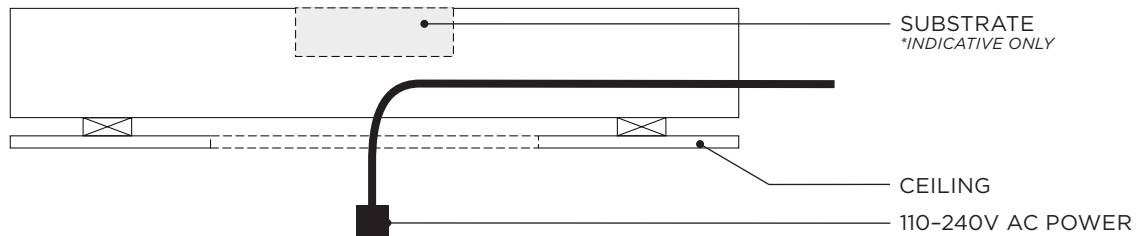


INSTALLATION GUIDE

CANOPY - ROUND FLUSH LARGE

ROD SUSPENSION
RFL.ROD

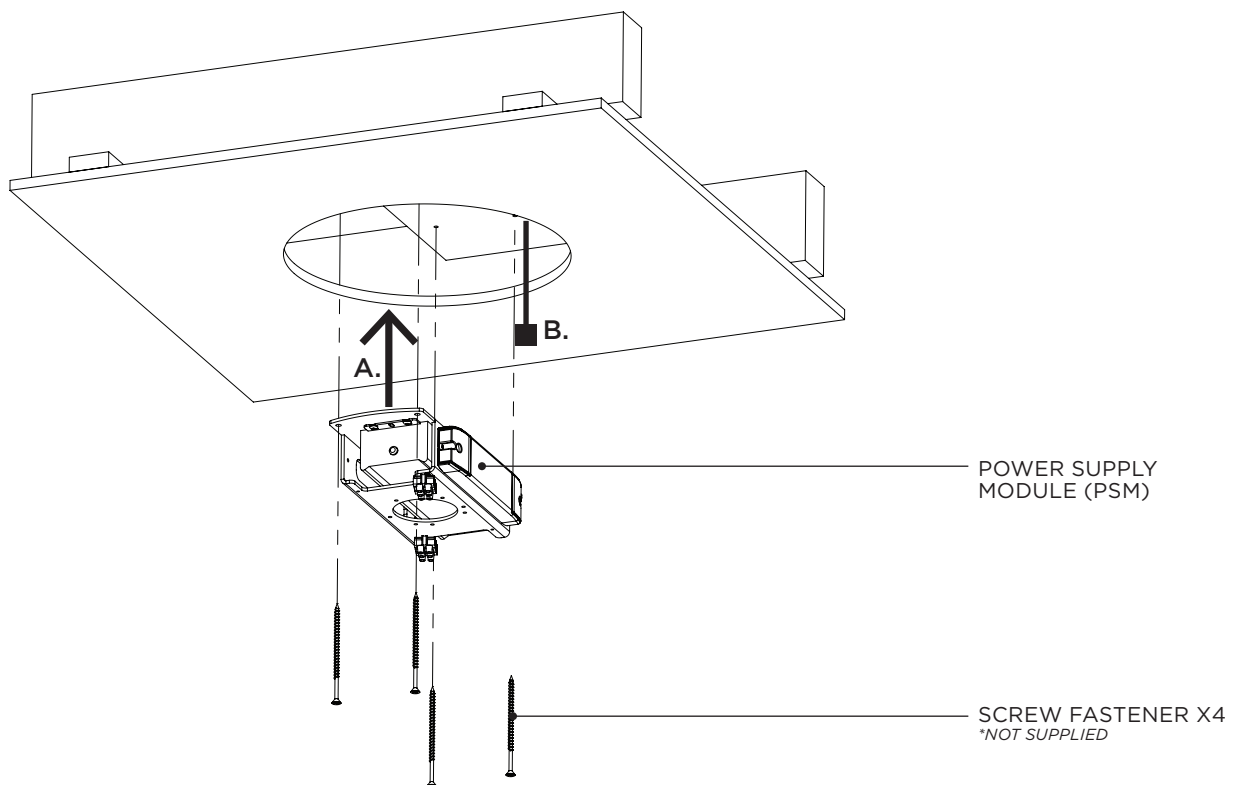
- 4** Prepare the 110-240V AC Power to be connected to the PSU.



- 5** A. Attach the PSM to Substrate with appropriate Fasteners.
B. Connect the 110-240V AC Power to the PSU.
Refer to supplied WIRING DIAGRAM →



Remove the PSB from the PSM to allow for better access for the following steps.

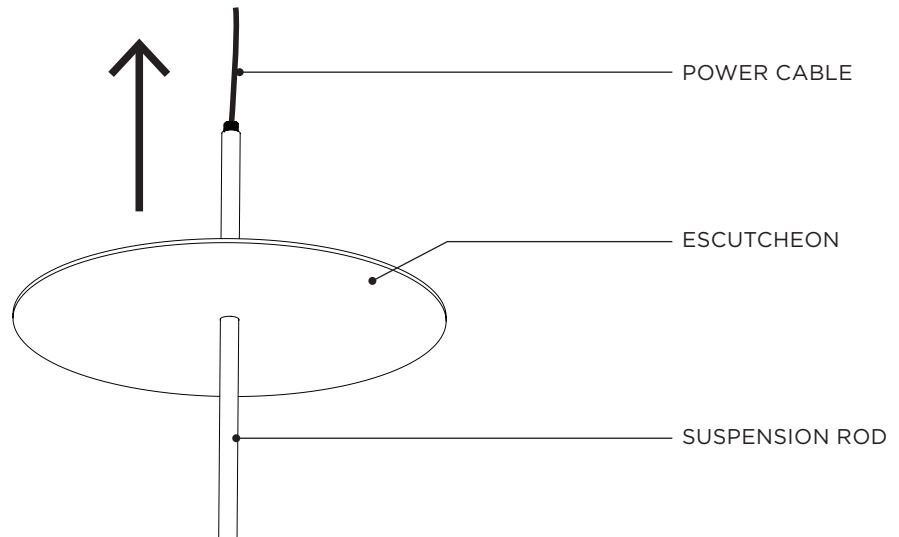


INSTALLATION GUIDE

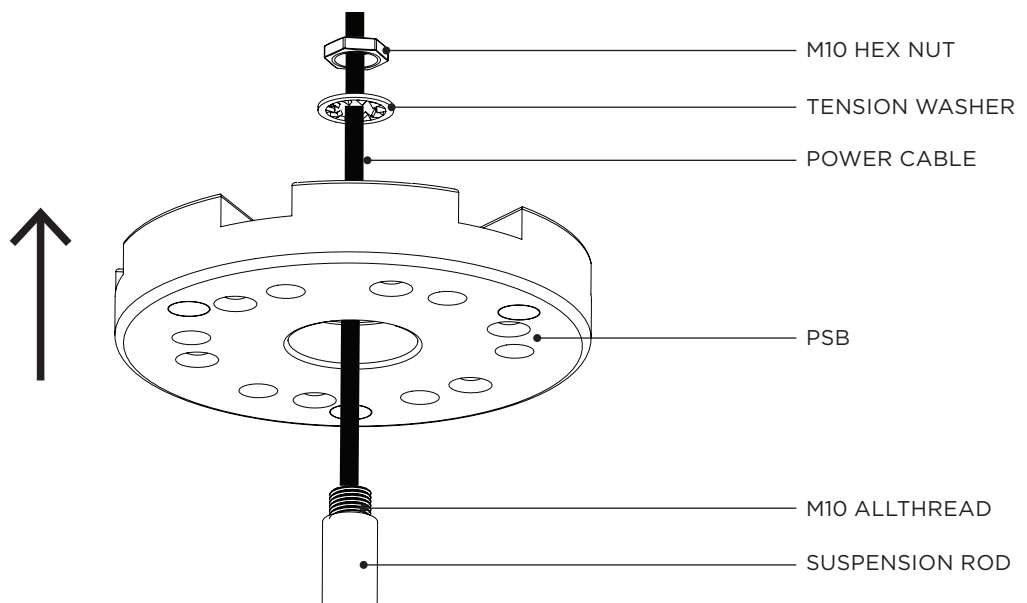
CANOPY - ROUND FLUSH LARGE

ROD SUSPENSION
RFL.ROD

- 6** From the pendant, feed the POWER CABLE & SUSPENSION ROD through the central hole in the ESCUTCHEON as shown. Take care ensuring not to scratch the the SUSPENSION ROD.



- 7** Feed the POWER CABLE through the PSB and the provided TENSION WASHER & M10 HEX NUT, as shown. Secure the components tightly to the threaded rod, finishing with the M10 HEX NUT.

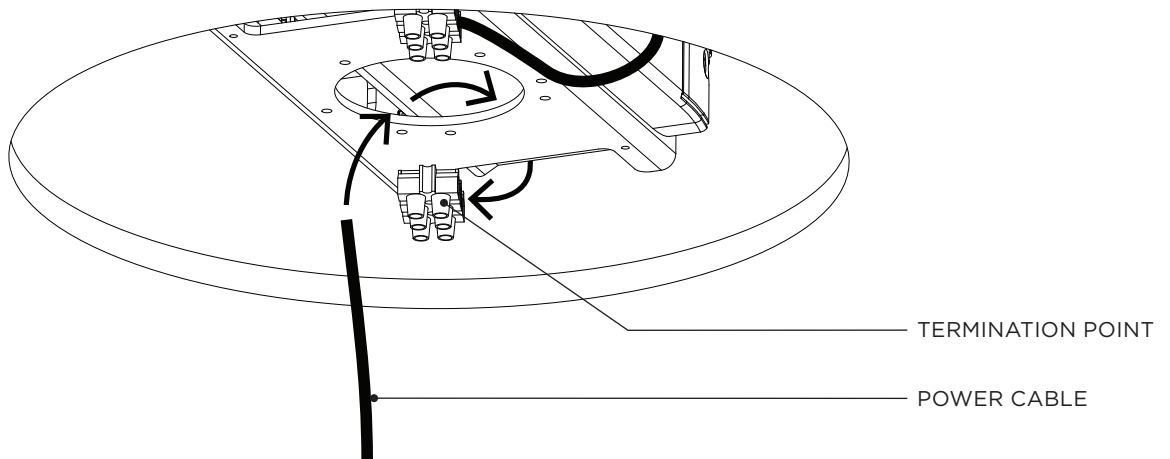


INSTALLATION GUIDE

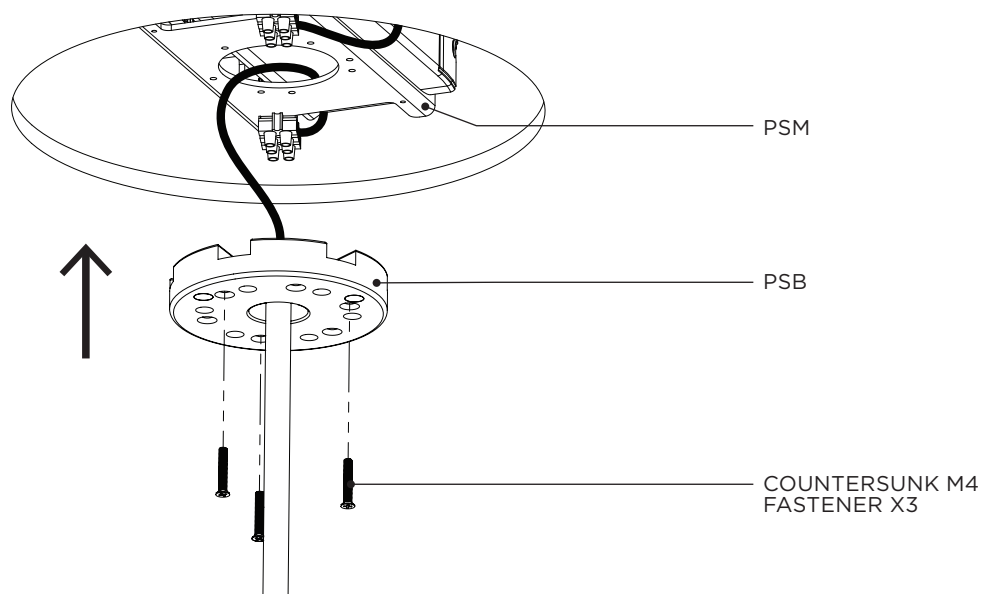
CANOPY - ROUND FLUSH LARGE

ROD SUSPENSION
RFL.ROD

- 8** Feed the POWER CABLE through the central hole in the PSM and connect to the correct TERMINATION POINT. Refer to supplied WIRING DIAGRAM →



- 9** Attach the PSB to the PSM with the 3 provided COUNTERSUNK M4 FASTENERS.

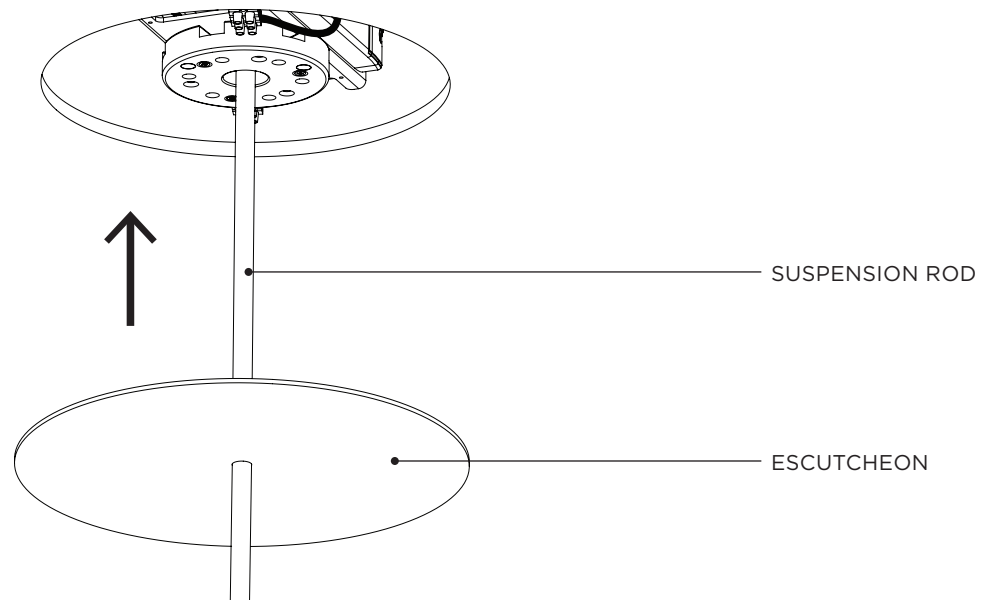


INSTALLATION GUIDE

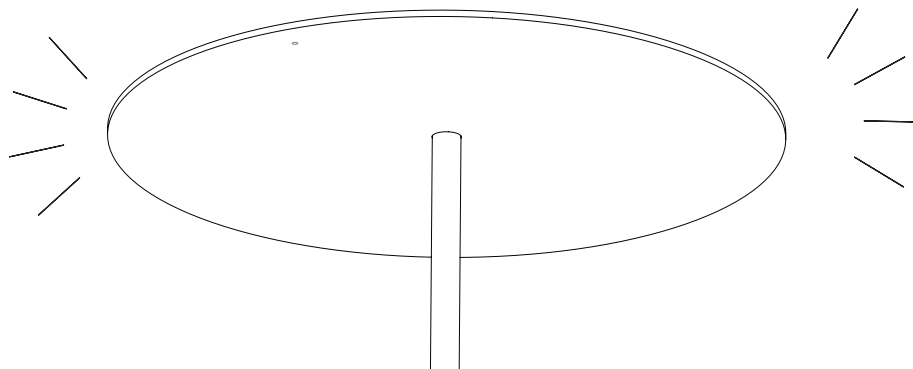
CANOPY - ROUND FLUSH LARGE

ROD SUSPENSION
RFL.ROD

- 10** Carefully raise ESCUTCHEON to the ceiling until the Magnets engage. Ensure not to damage the SUSPENSION ROD as the ESCUTCHEON is being raised.



- 11** Conduct a final visual assessment of both the canopy and fixture to ensure all parts have been properly fitted and secured. Once satisfied that everything is in working order, remove all remaining protective material which will now complete the installation process.



FINISH