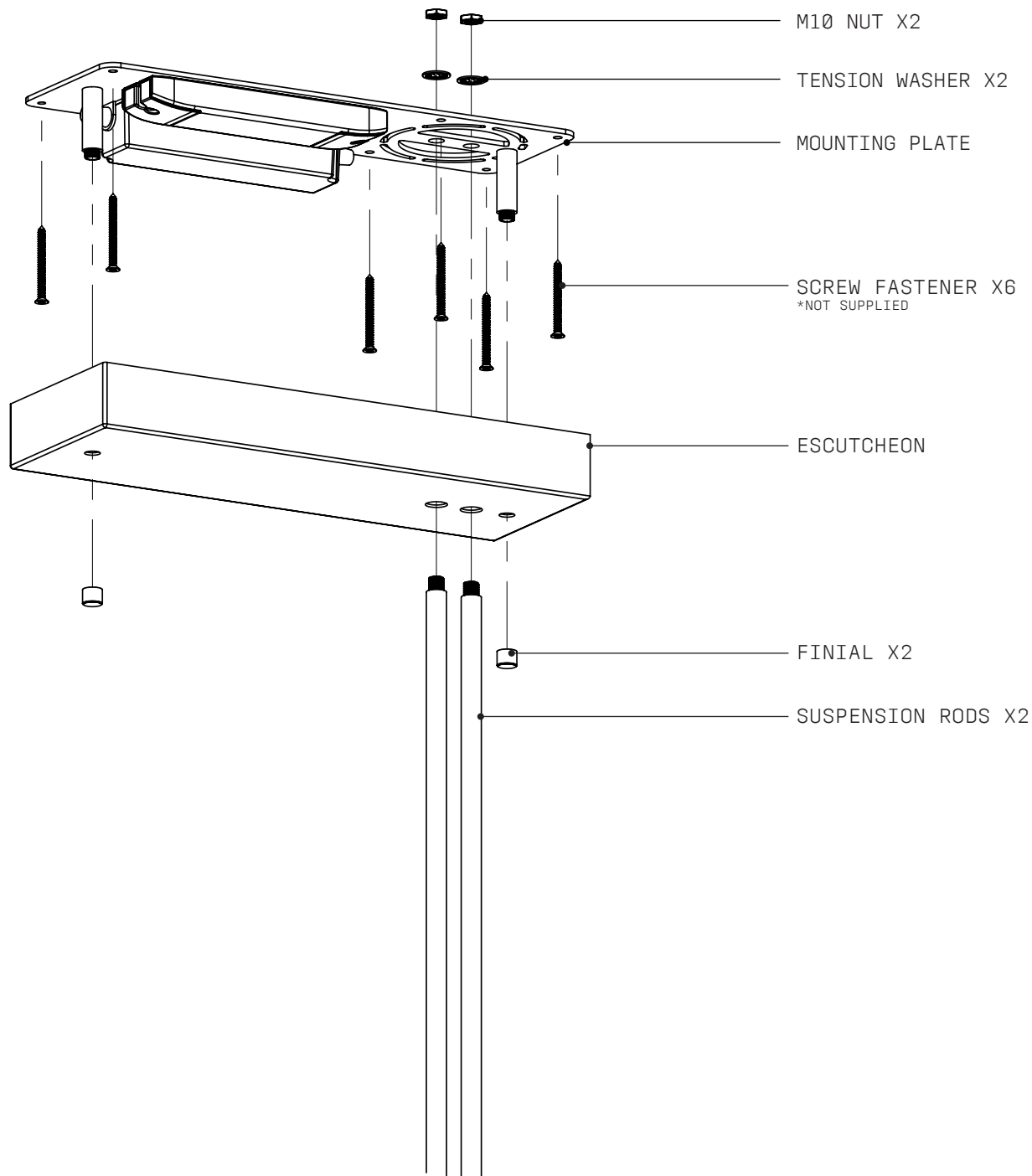


# ABACUS SURFACE SMALL CANOPY





## **WARNING: SHOCK HAZARD**

May result in serious injury or death.  
ENSURE POWER IS OFF before commencing any work.



## **WARNING: ELECTRICAL**

ALL ELECTRICAL connections must be made by a qualified electrician in accordance with the regulations and codes governing the area for which the CHRISTOPHER BOOTS Fixture is intended to be installed in. Failure to do so may result in serious harm or damage to property and life, at the owner's liability and expense.

CHRISTOPHER BOOTS will not be held liable for any damage caused from installation.



## **WARNING: STRUCTURAL**

Ensure that the substrate is securely installed and is in accordance with local building regulations. Failure to do so may potentially result in serious harm or damage of property, at the owner's liability and expense.

CHRISTOPHER BOOTS will not be held liable for any damage caused from installation.

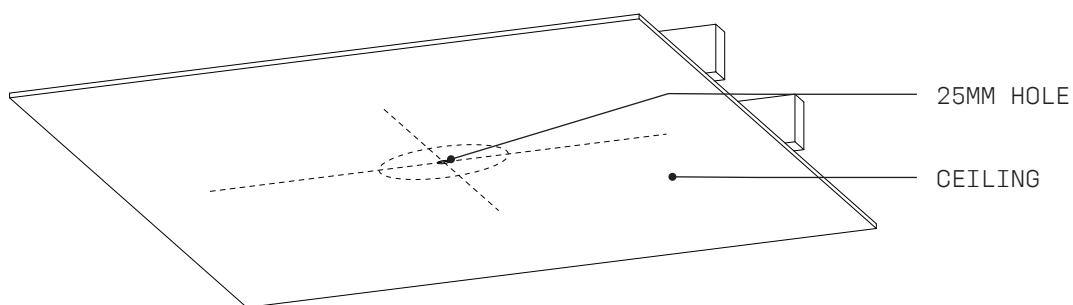


Refer to supplied WIRING DIAGRAM.

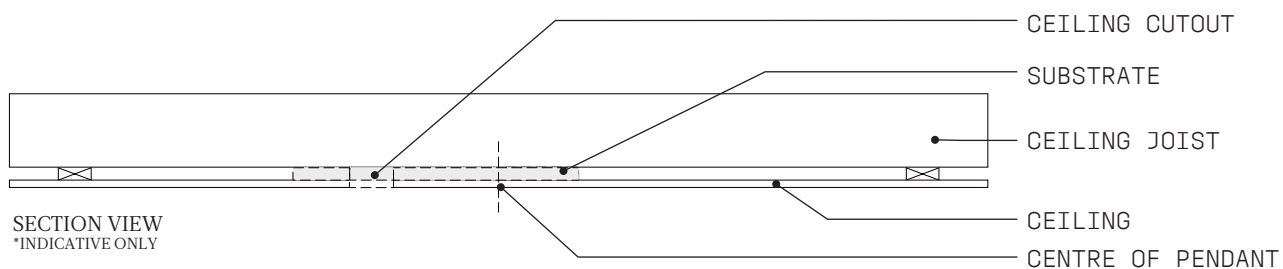
- 1 Wearing gloves, unpack the ABACUS 900 with care ensuring not to scratch the delicate surface.

Separate the MOUNTING PLATE from the other components.

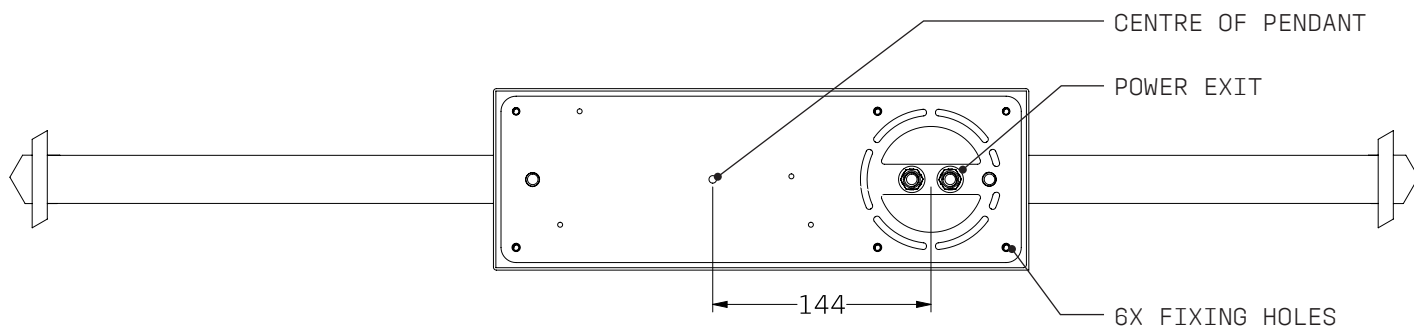
Prepare a Ø25mm hole on the ceiling central to the Pendants final hanging position.



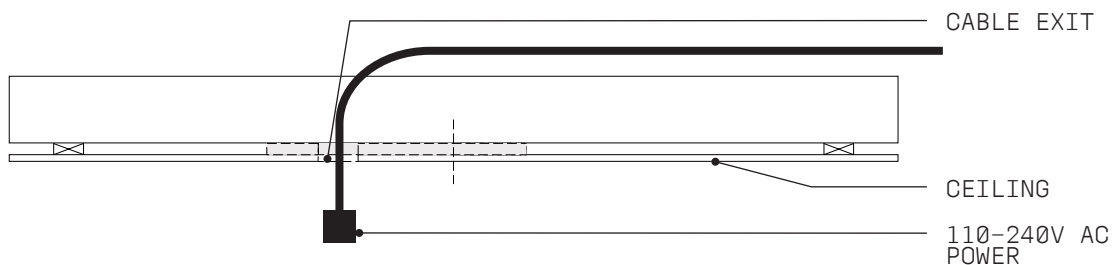
- 2 Installer to provide adequate load-bearing substrate, utilising ceiling joist where additional support is required. For accurate placement of CEILING CUTOUT in the Substrate, use the MOUNTING PLATE as a guide.



DRILLING GUIDE

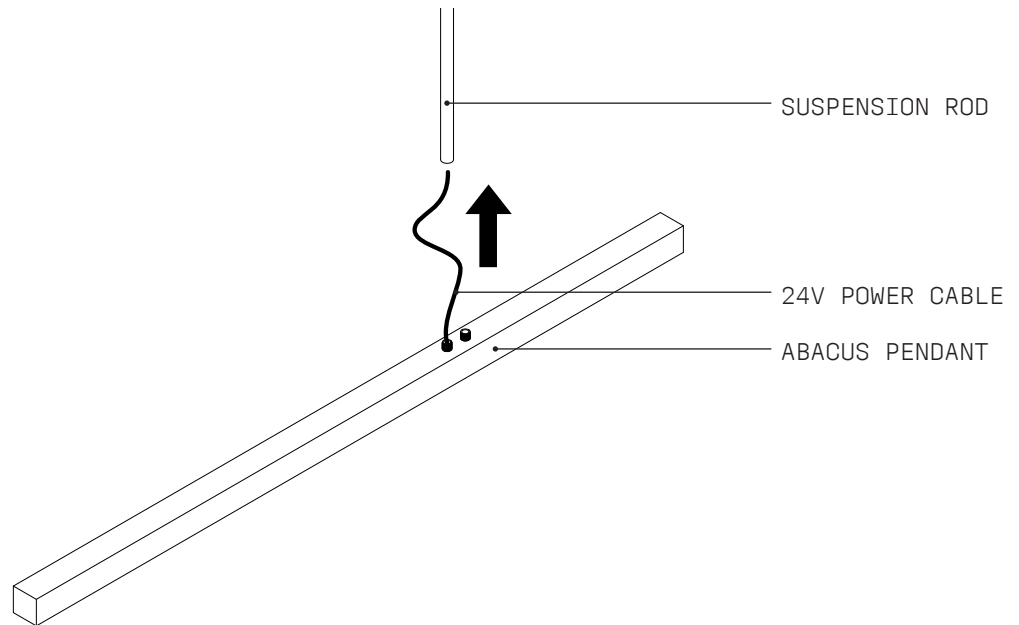


3 Prepare the 110-240V AC Power to be connected to the POWER SUPPLY UNIT.

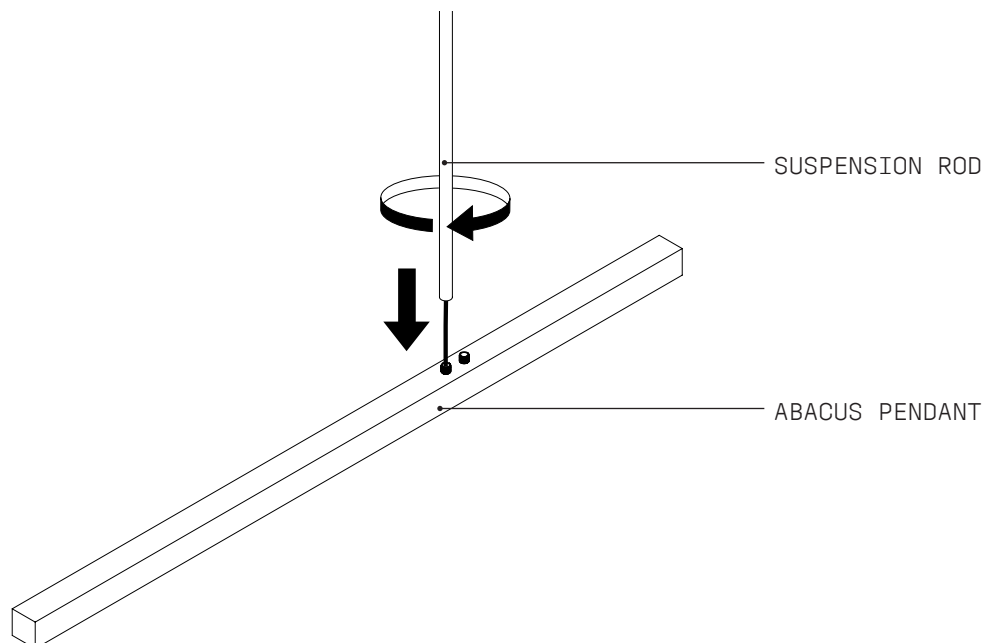




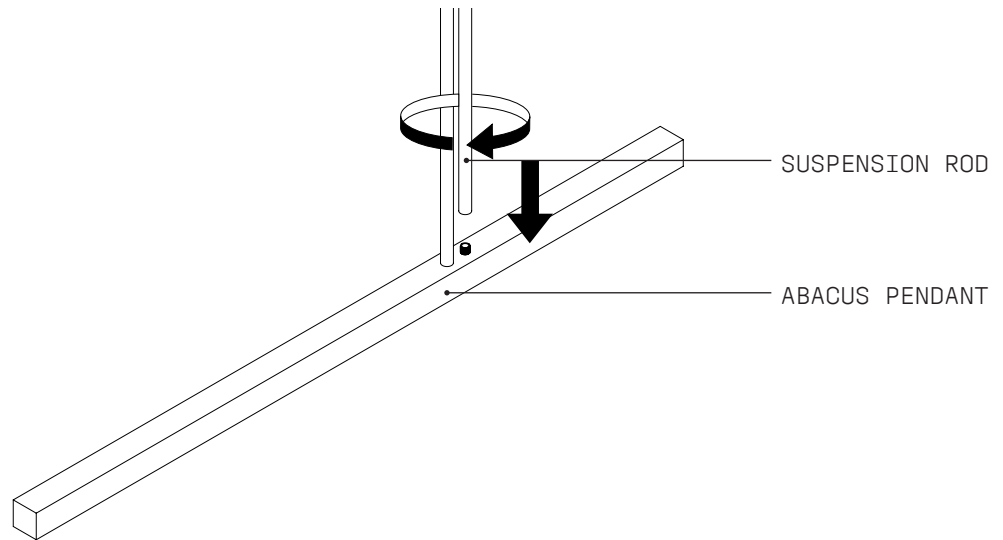
- 4 Wearing gloves, unpackage the ABACUS 900 with care.  
— Do not to scratch the delicate surface of the PENDANT.
  
- 5 Begin by passing the 24V POWER CABLE through SUSPENSION ROD.



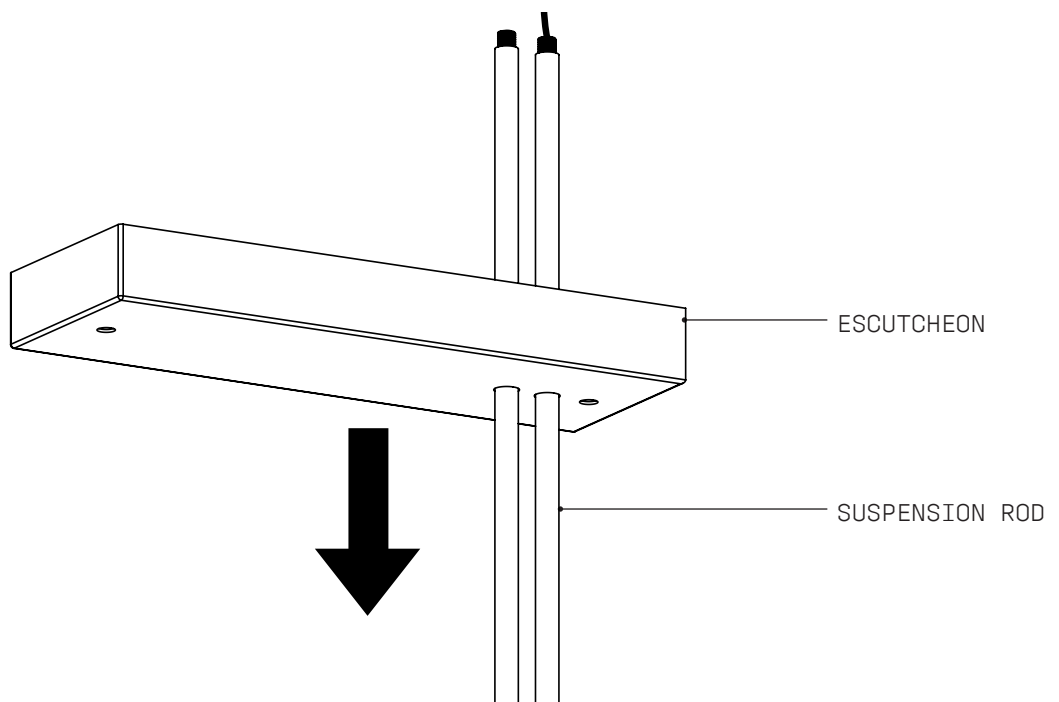
- 6 Tighten SUSPENSION ROD on the ABACUS PENDANT.



- 7 Tighten other SUSPENSION ROD onto the ABACUS PENDANT

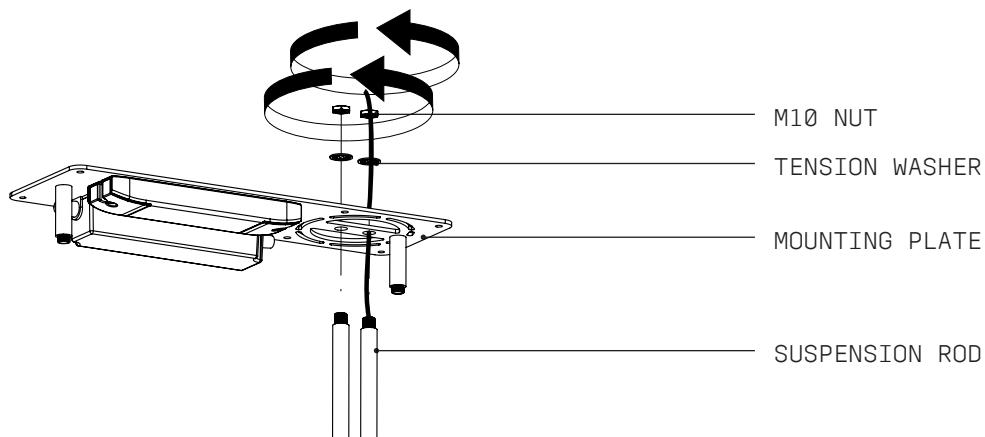


- 8 Carefully lower the ESCUTCHEON onto the 2 SUSPENSION RODS. Ensure not to damage the SUSPENSION RODS as the ESCUTCHEON is being lowered.

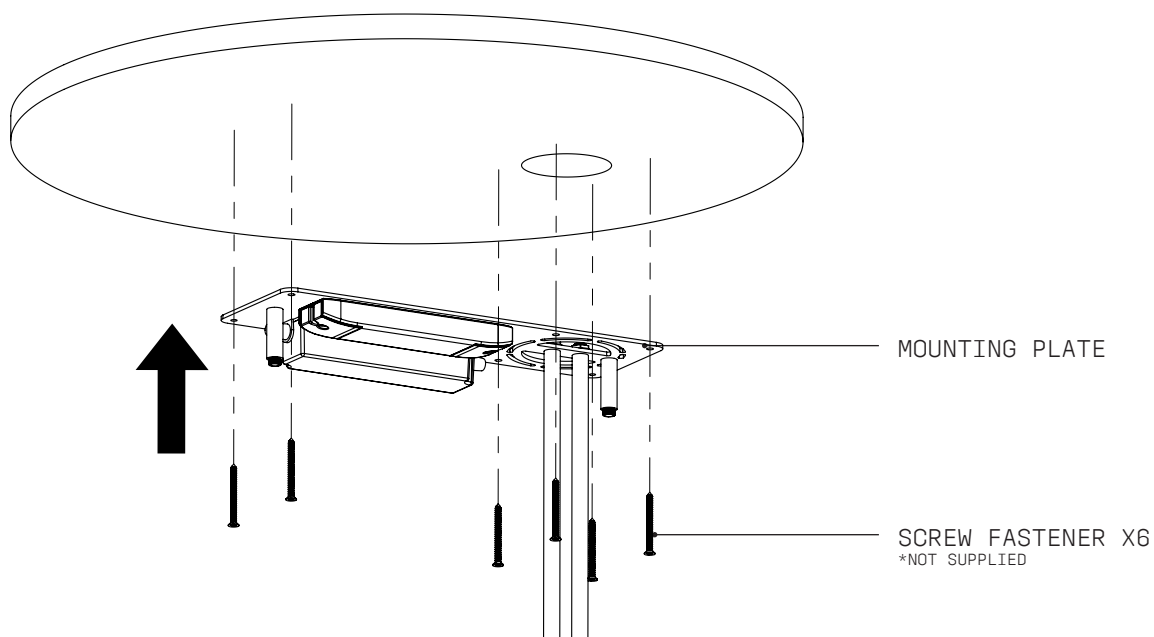


- 9 Place MOUNTING PLATE on to both SUSPENSION RODS ensuring the POWER SUPPLY is pointing towards the centre of the Pendant.

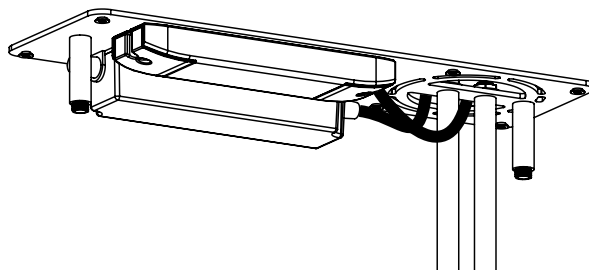
Tightly fasten both TENSION WASHERS and M10 NUTS onto SUSPENSION RODS



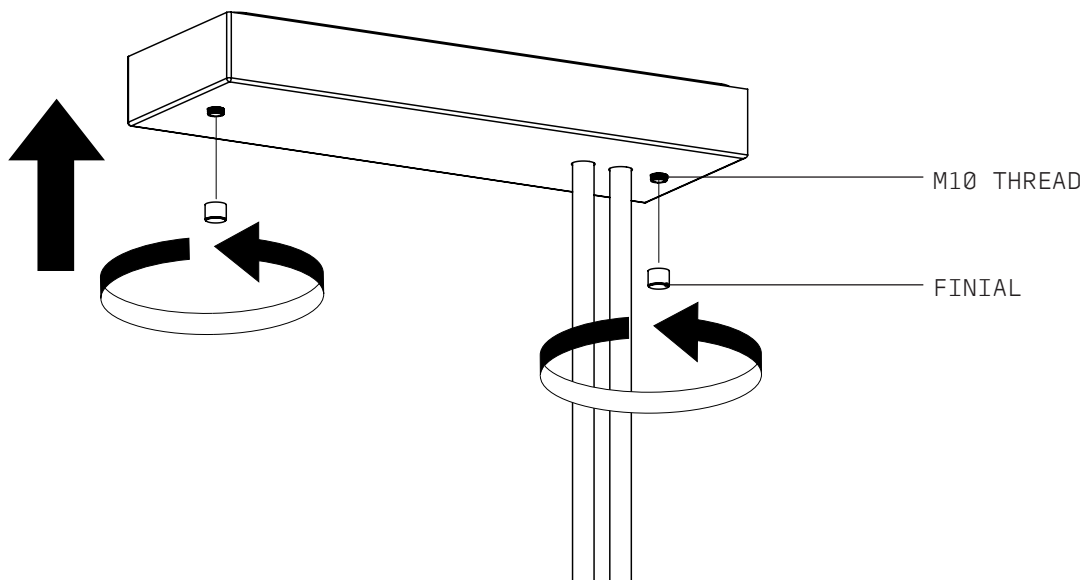
- 10 Attach the MOUNTING PLATE to the prepared Substrate with appropriate Fasteners.



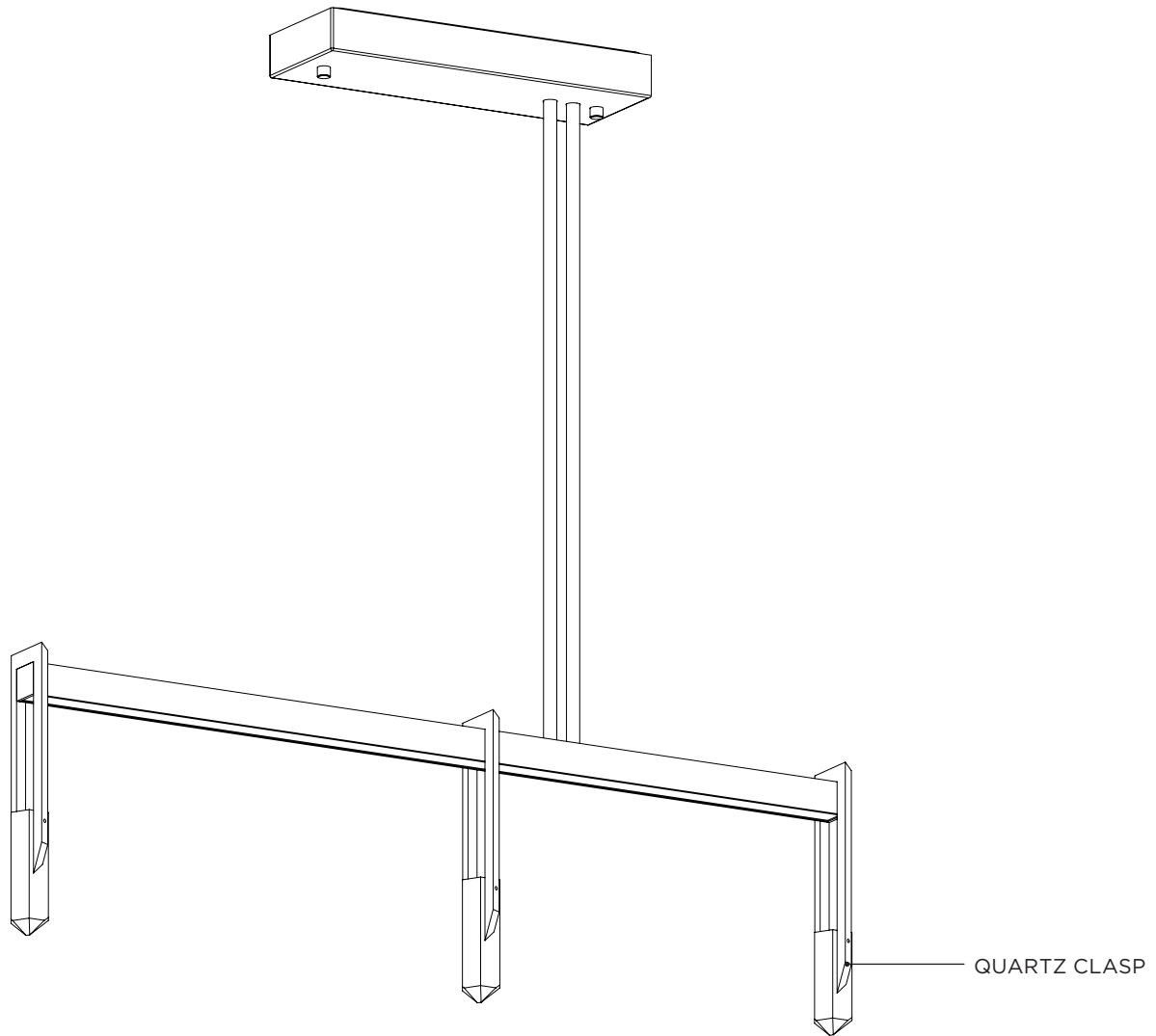
- 11 — A. Connect the 110–240V AC Power to the POWER SUPPLY UNIT.  
 B. Connect the POWER CABLE from the PENDANT to the POWER SUPPLY UNIT.  
 Refer to supplied WIRING DIAGRAM →



- 12 — Carefully raise ESCUTCHEON to the ceiling until the 2 M10 threads are exposed and tighten a FINIAL onto each thread.  
 Ensure not to damage the SUSPENSION ROD as the ESCUTCHEON is being raised.

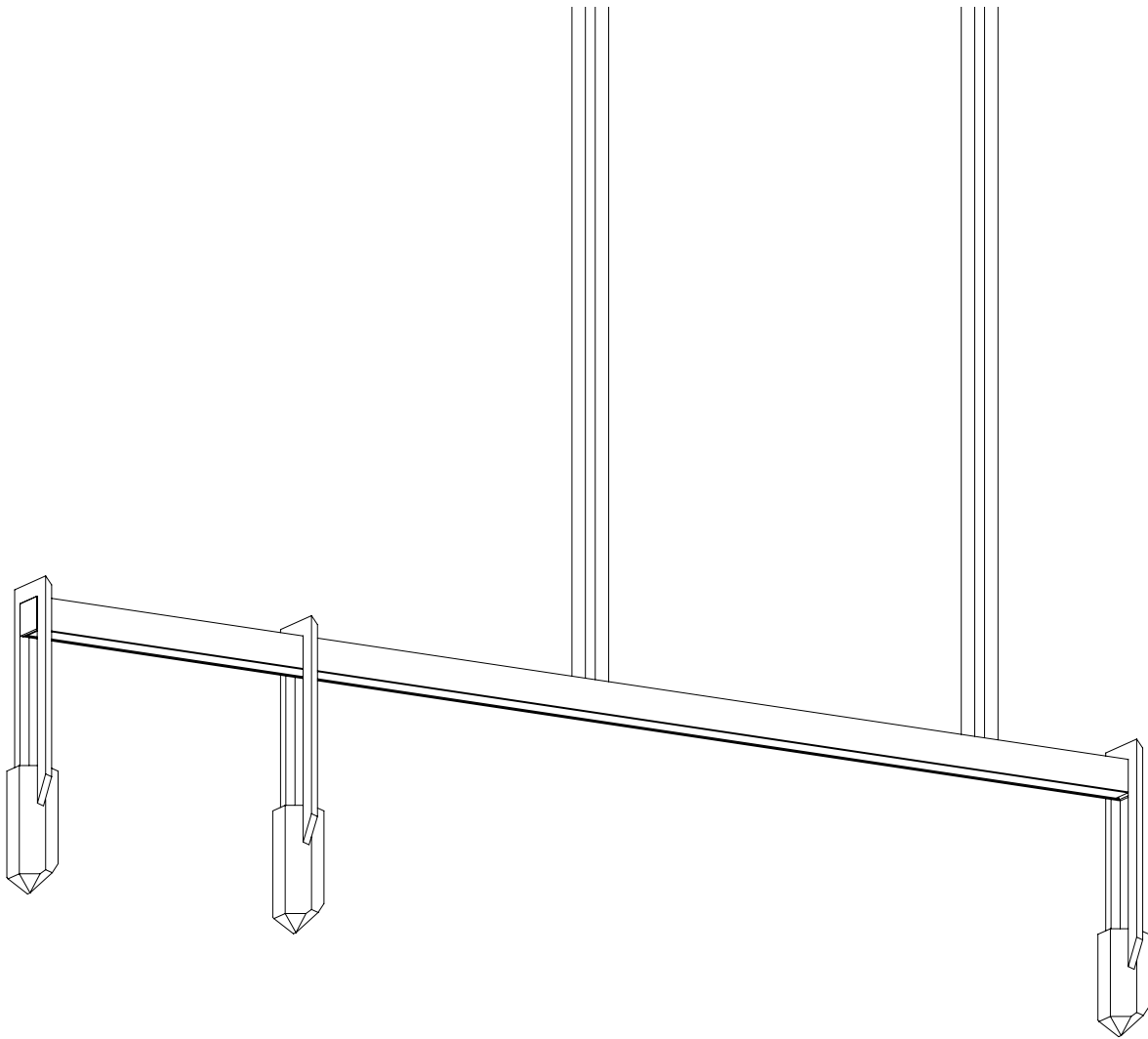


- 13 — Conduct a final visual assessment of both the canopy and pendant to ensure all parts have been properly fitted and secured. Once satisfied that everything is in working order, carefully place QUARTZ CLASPS onto the pendant which will now complete the installation process.



# ABACUS SURFACE MEDIUM CANOPY

LSM.ABA - ABA.1200 ABA.1500





## **WARNING: SHOCK HAZARD**

May result in serious injury or death.  
ENSURE POWER IS OFF before commencing any work.



## **WARNING: ELECTRICAL**

ALL ELECTRICAL connections must be made by a qualified electrician in accordance with the regulations and codes governing the area for which the CHRISTOPHER BOOTS Fixture is intended to be installed in. Failure to do so may result in serious harm or damage to property and life, at the owner's liability and expense.

CHRISTOPHER BOOTS will not be held liable for any damage caused from installation.



## **WARNING: STRUCTURAL**

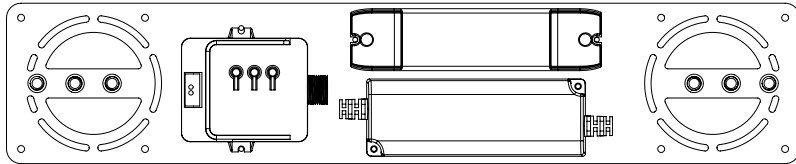
Ensure that the substrate is securely installed and is in accordance with local building regulations. Failure to do so may potentially result in serious harm or damage of property, at the owner's liability and expense.

CHRISTOPHER BOOTS will not be held liable for any damage caused from installation.

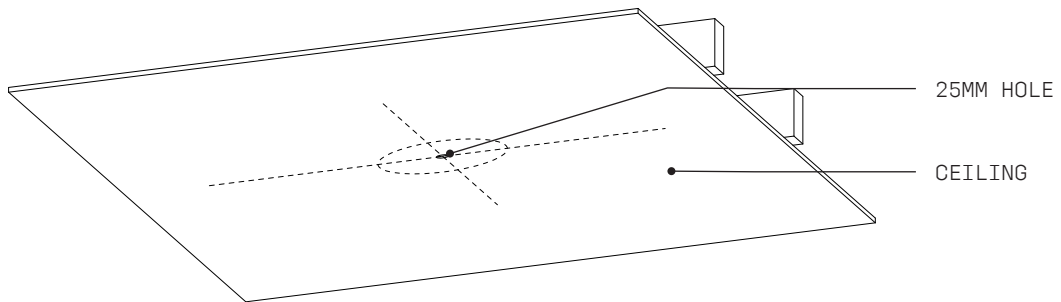


Refer to supplied WIRING DIAGRAM.

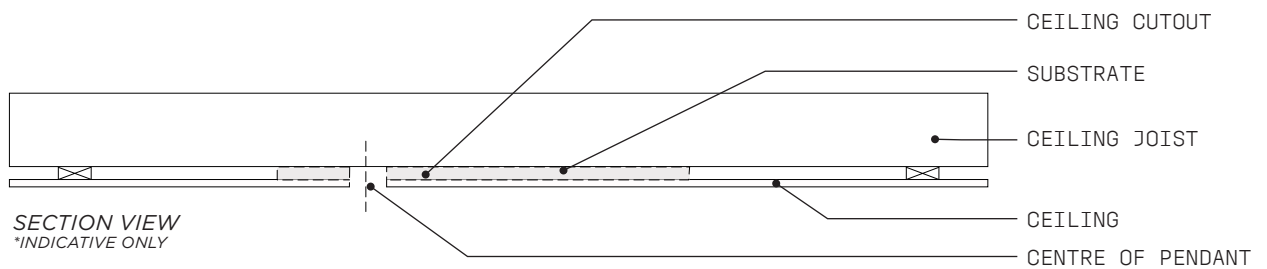
- 1 Wearing gloves, unpack the ABACUS with care ensuring not to scratch the delicate surface.  
 Separate the MOUNTING PLATE from the other components.



- 2 Prepare a Ø25mm hole on the ceiling central to the Pendants final hanging position.

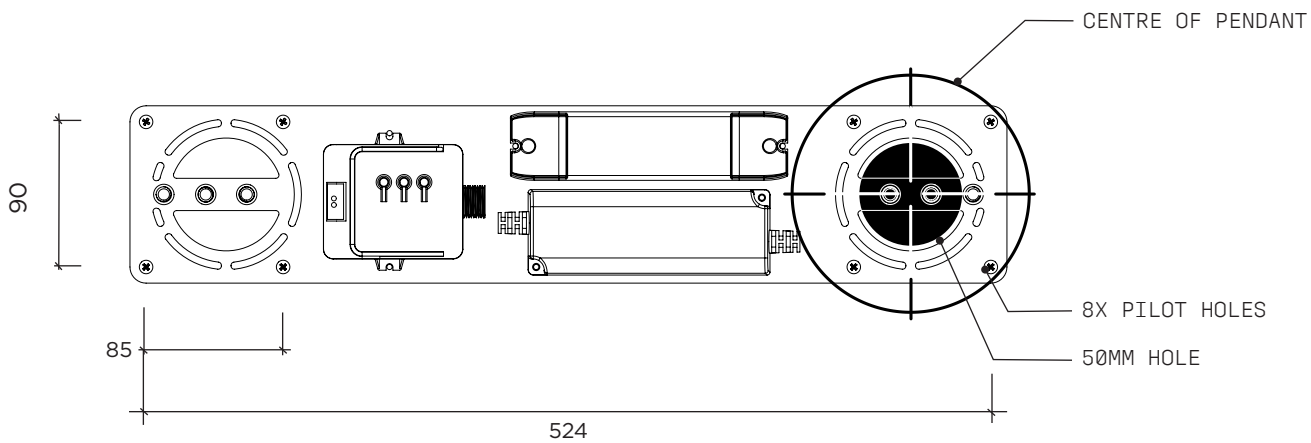


- 3 Installer to provide adequate load-bearing substrate, utilising ceiling joist where additional support is required. For accurate placement of CEILING CUTOUT in the Substrate, use the MOUNTING PLATE as a guide. DRILLING GUIDE on next page.

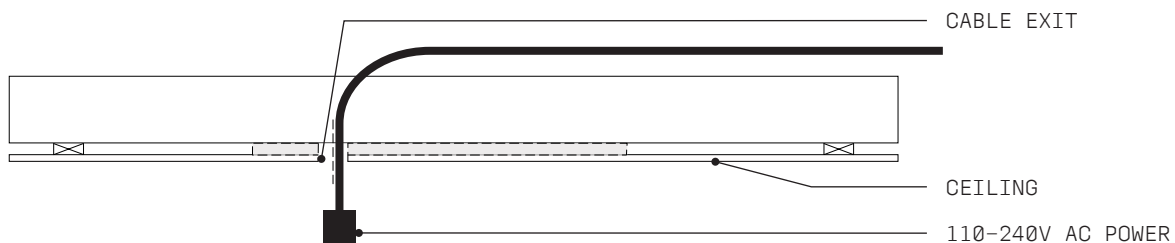




DRILLING GUIDE

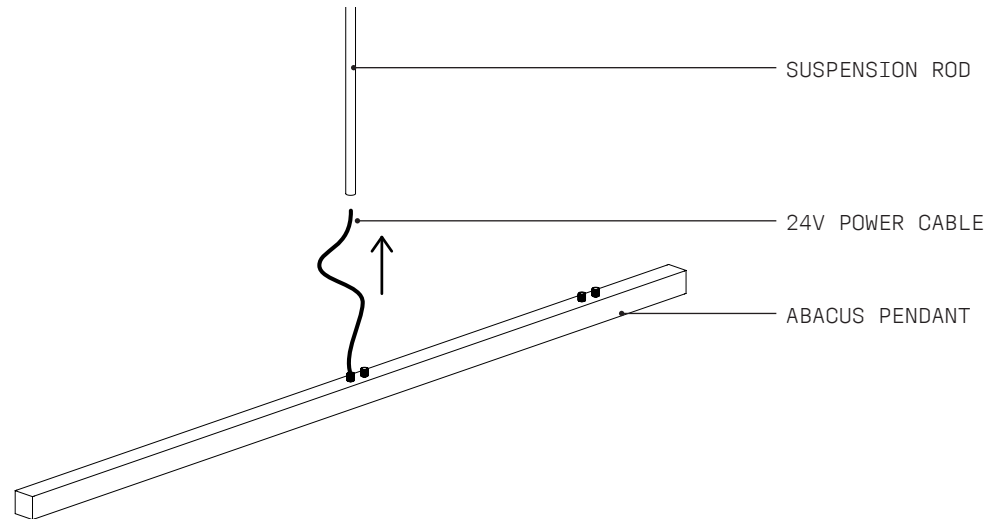


- 4 Prepare the 110-240V AC Power to be connected to the POWER SUPPLY UNIT.

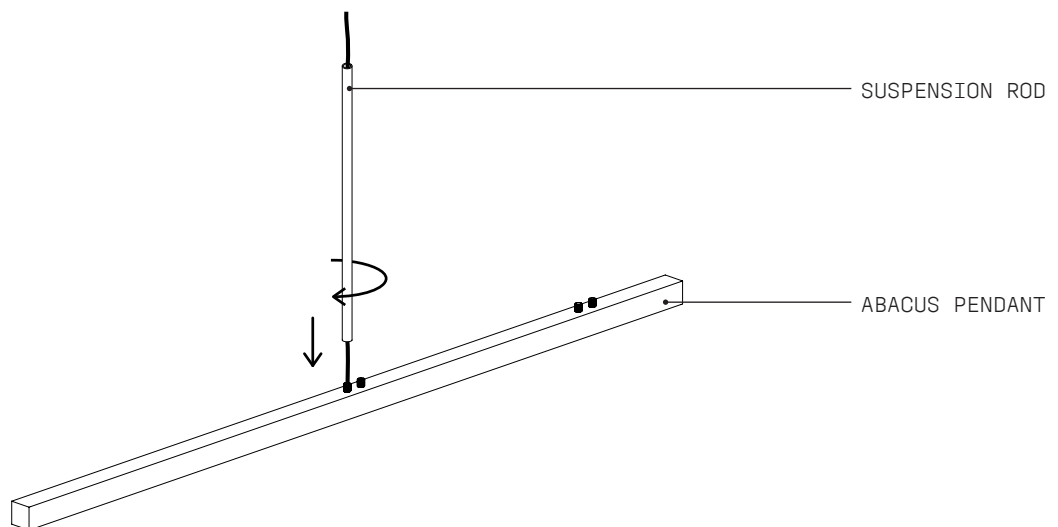


- 5 Wearing gloves, unpackage the ABACUS PENDANT with care.  
— Do not to scratch the delicate surface of the PENDANT.

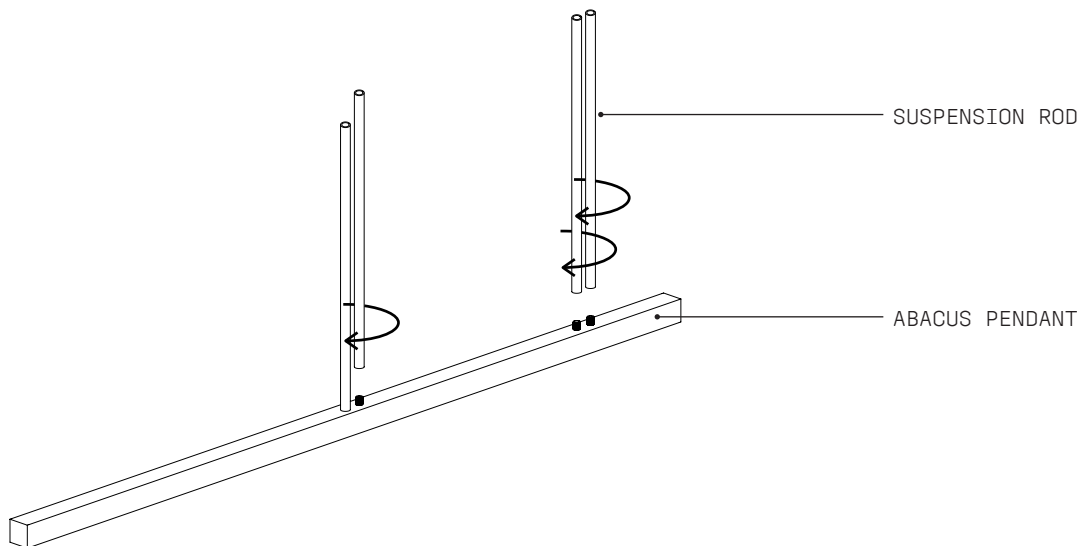
Begin by passing the 24V POWER CABLE through SUSPENSION ROD.



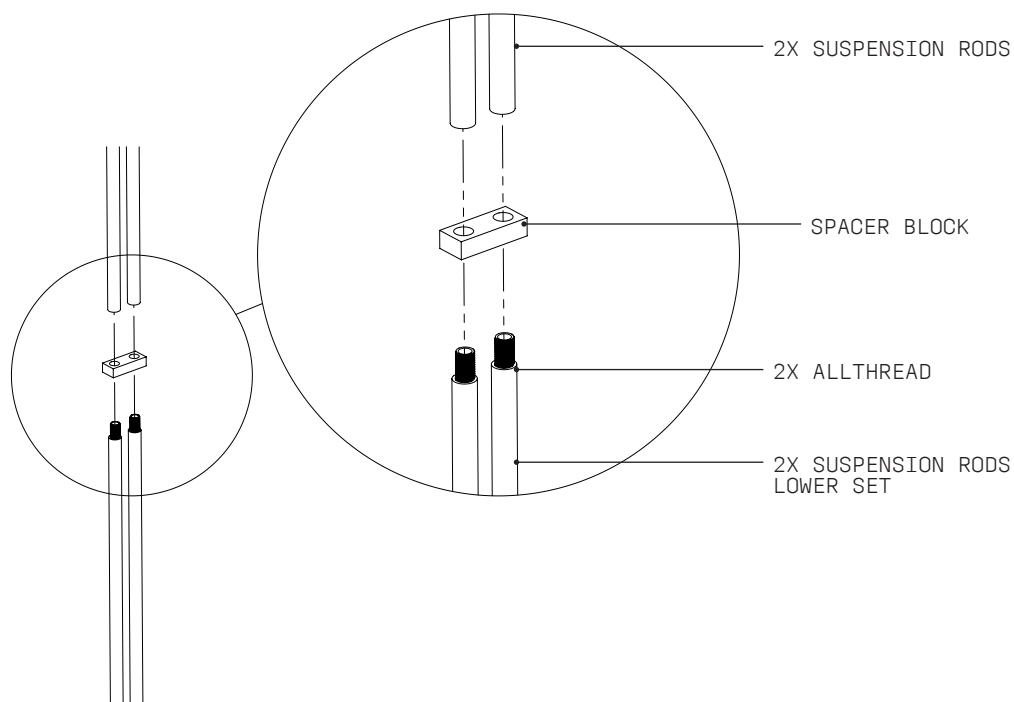
- 6 Tighten SUSPENSION ROD on the ABACUS PENDANT.



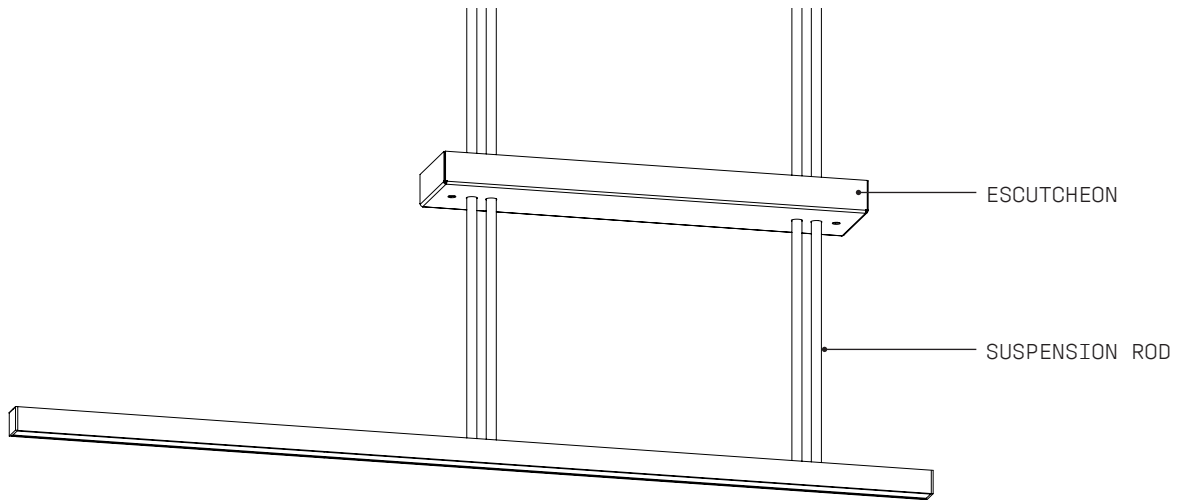
7 Tighten other SUSPENSION RODS onto the ABACUS PENDANT



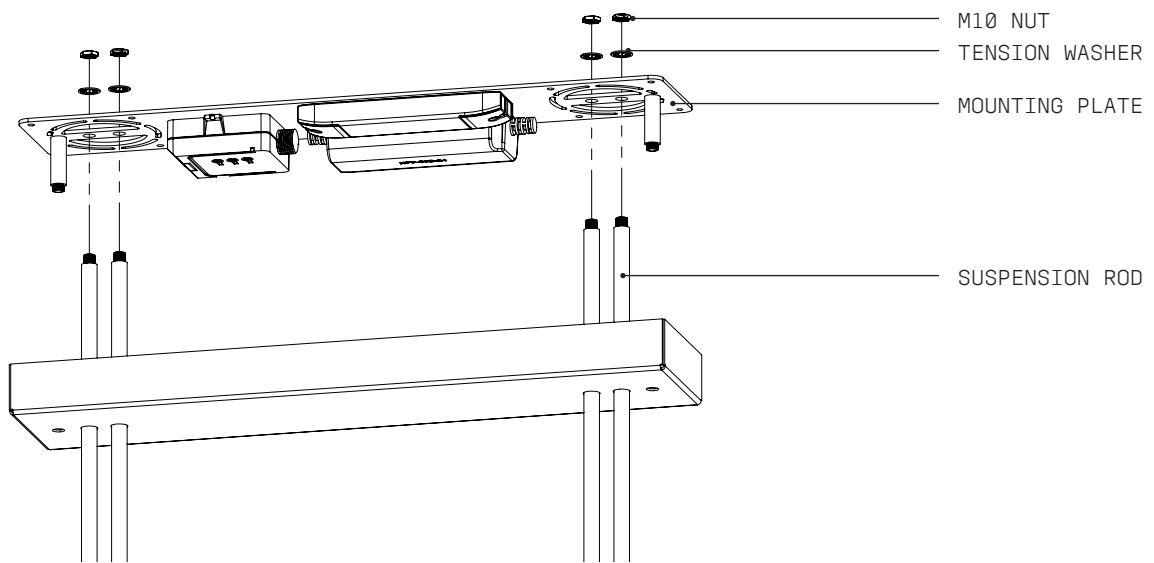
8 If your ABACUS PENDANT requires extra rods to extend the total drop, locate the spacer block on 2 allthreads and tighten next set of rods onto lower set.



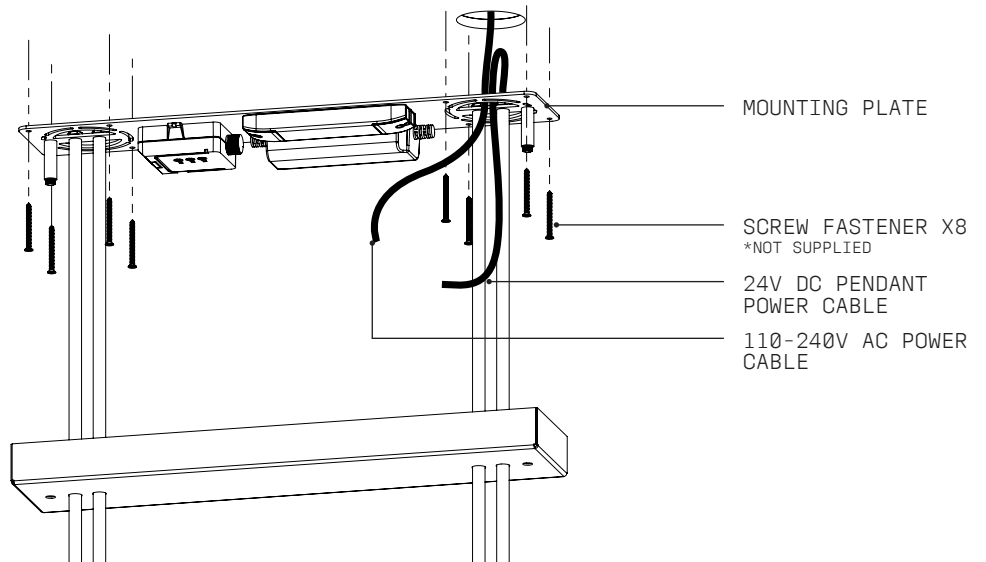
- 9 Carefully lower the ESCUTCHEON onto the 4 SUSPENSION RODS. Ensure not to damage the SUSPENSION RODS as the ESCUTCHEON is being lowered.



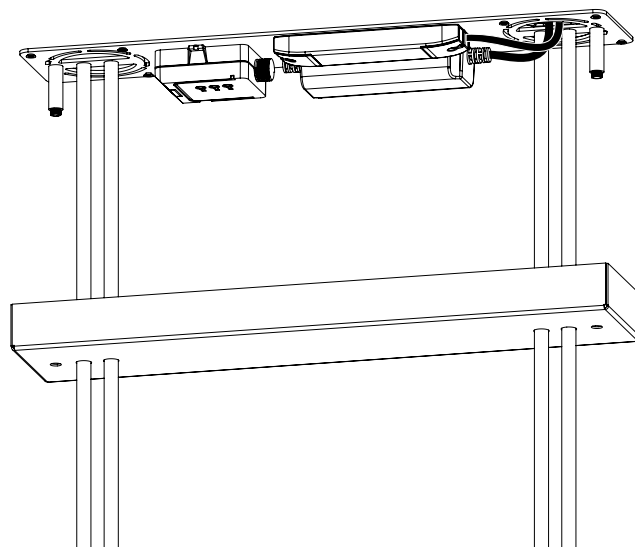
- 10 Place MOUNTING PLATE onto ALL SUSPENSION RODS.  
Tightly fasten ALL TENSION WASHERS and M10 NUTS onto SUSPENSION RODS



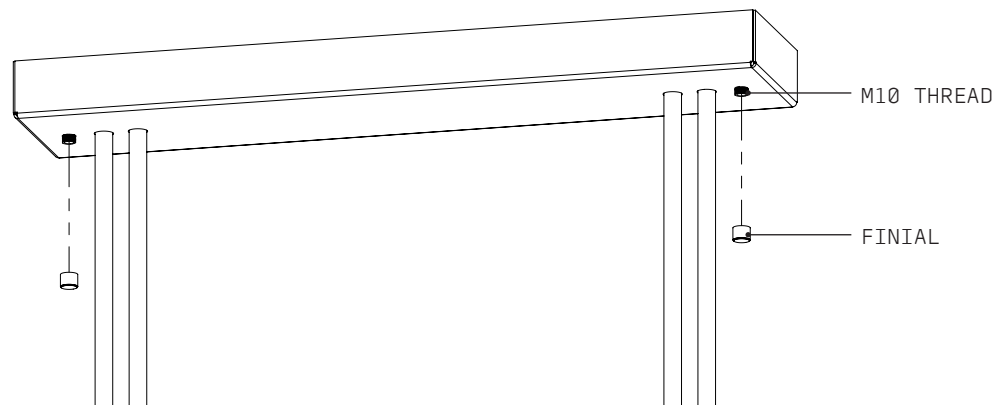
- 11 Attach the MOUNTING PLATE to the prepared Substrate with appropriate Fasteners.



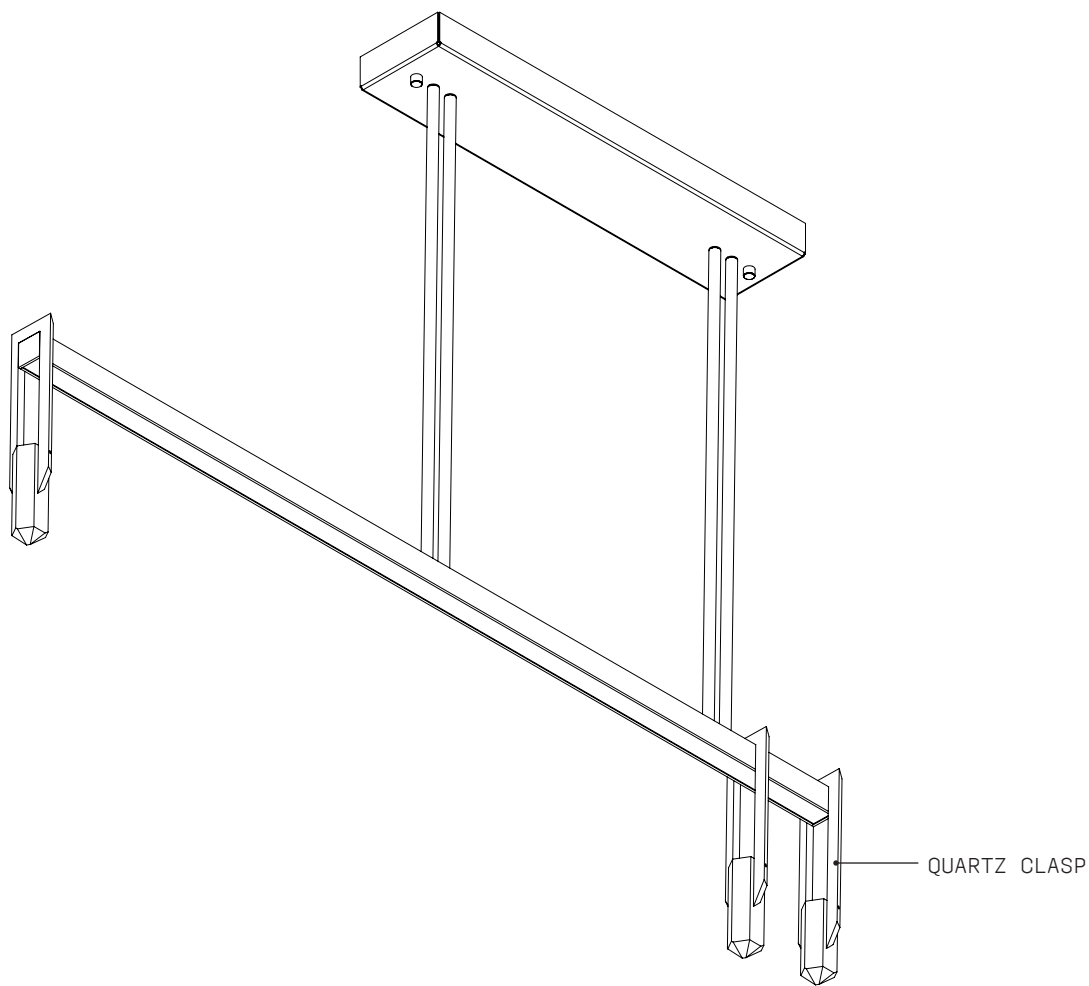
- 12 Connect the 110-240V AC Power to the POWER SUPPLY UNIT.  
Connect the POWER CABLE from the PENDANT to the POWER SUPPLY UNIT.  
Refer to supplied WIRING DIAGRAM →



- 13 Carefully raise ESCUTCHEON to the ceiling until the 5x M10 threads are exposed and tighten a FINIAL onto each thread.  
— Ensure not to damage the SUSPENSION ROD as the ESCUTCHEON is being raised.

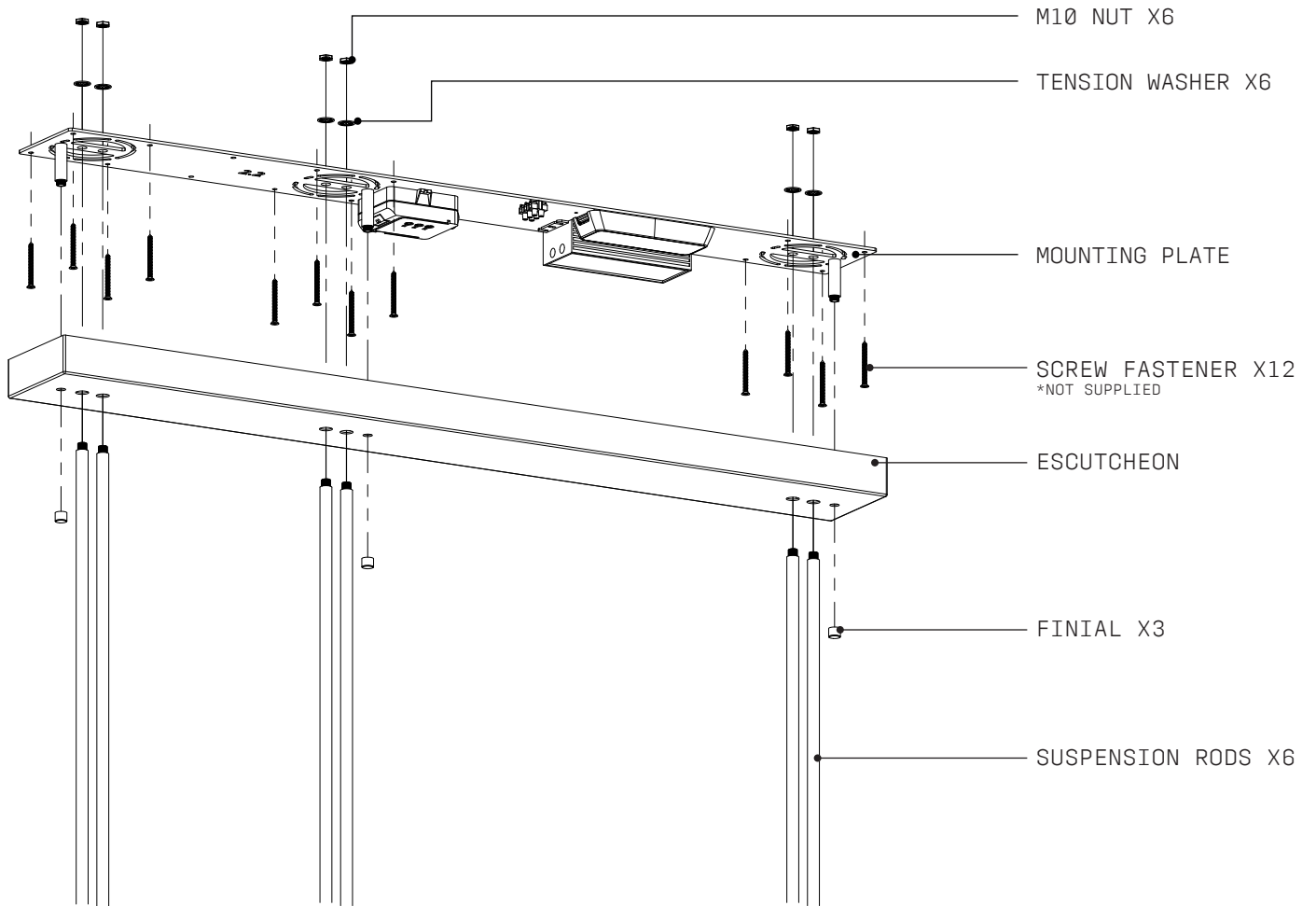


- 12 — Conduct a final visual assessment of both the canopy and pendant to ensure all parts have been properly fitted and secured. Once satisfied that everything is in working order, carefully place QUARTZ CLASPS onto the pendant which will now complete the installation process.



FINISH

# ABACUS SURFACE LARGE 1800 CANOPY



## WARNING

ALL ELECTRICAL CONNECTIONS MUST BE MADE BY A QUALIFIED ELECTRICIAN IN ACCORDANCE WITH THE REGULATIONS AND CODES GOVERNING THE AREA FOR WHICH THE CHRISTOPHER BOOTS FIXTURE IS INTENDED TO BE INSTALLED IN. FAILURE TO DO SO MAY RESULT IN SERIOUS HARM OR DAMAGE TO PROPERTY AND LIFE, AT THE OWNER'S LIABILITY AND EXPENSE. CHRISTOPHER BOOTS WILL NOT BE HELD LIABLE FOR ANY DAMAGE CAUSED FROM INSTALLATION.







## **WARNING: SHOCK HAZARD**

May result in serious injury or death.  
ENSURE POWER IS OFF before commencing any work.



## **WARNING: ELECTRICAL**

ALL ELECTRICAL connections must be made by a qualified electrician in accordance with the regulations and codes governing the area for which the CHRISTOPHER BOOTS Fixture is intended to be installed in. Failure to do so may result in serious harm or damage to property and life, at the owner's liability and expense.

CHRISTOPHER BOOTS will not be held liable for any damage caused from installation.



## **WARNING: STRUCTURAL**

Ensure that the substrate is securely installed and is in accordance with local building regulations. Failure to do so may potentially result in serious harm or damage of property, at the owner's liability and expense.

CHRISTOPHER BOOTS will not be held liable for any damage caused from installation.

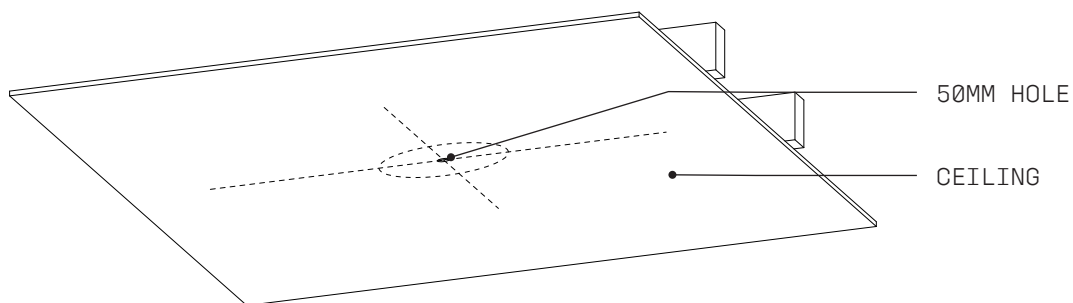


Refer to supplied WIRING DIAGRAM.

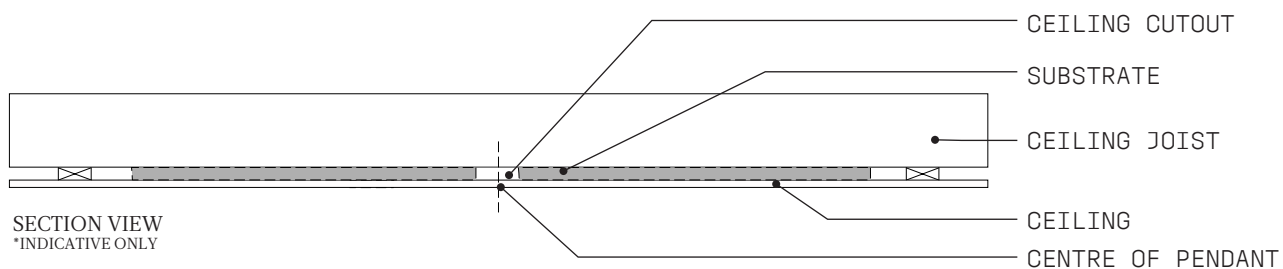
- 1 Wearing gloves, unpack the ABACUS with care ensuring not to scratch the delicate surface.

Separate the MOUNTING PLATE from the other components.

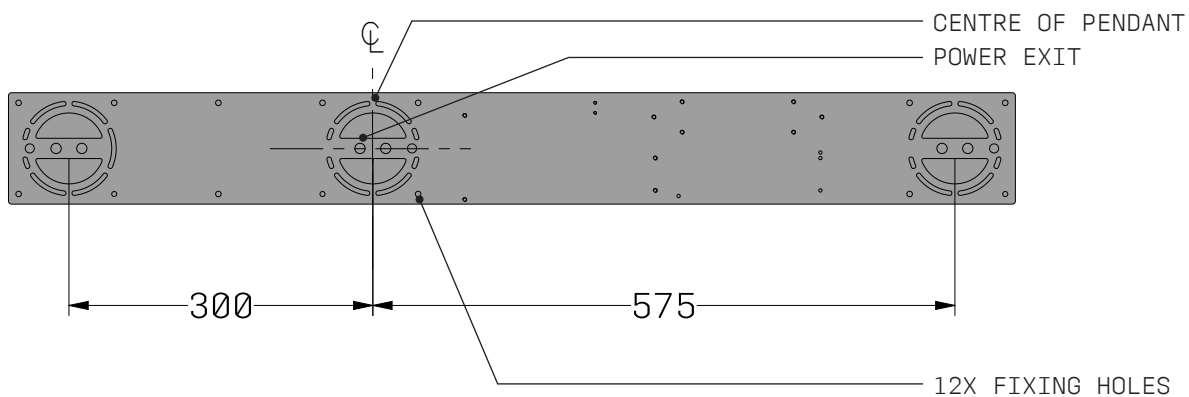
Prepare a Ø50mm hole on the ceiling central to the Pendants final hanging position.



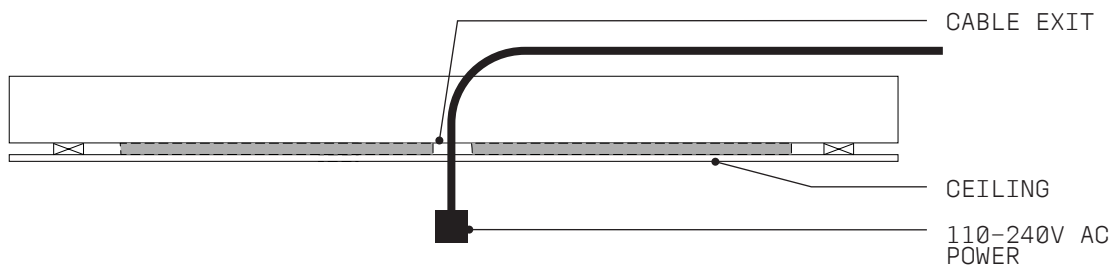
- 2 Installer to provide adequate load-bearing substrate, utilising ceiling joist where additional support is required. For accurate placement of CEILING CUTOUT in the Substrate, use the MOUNTING PLATE as a guide.



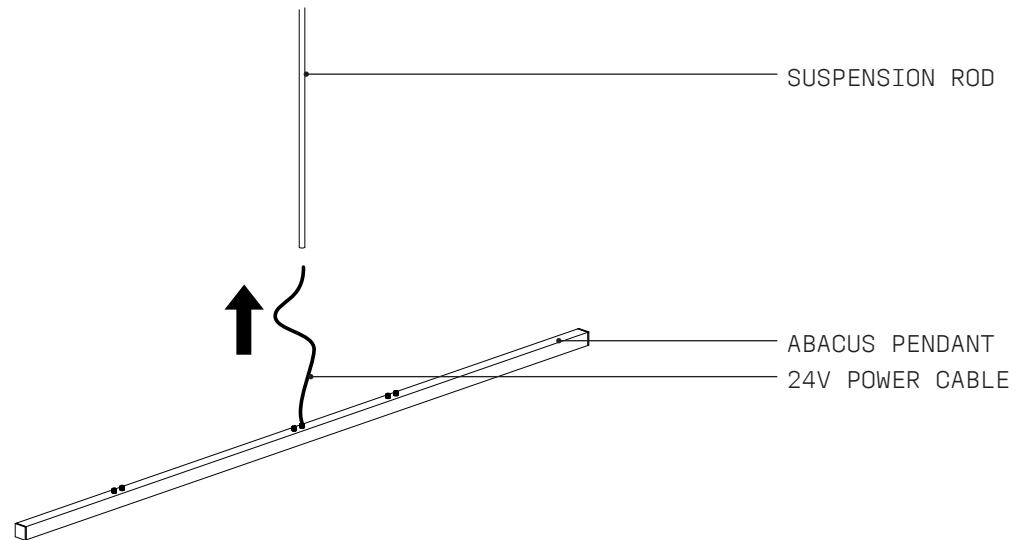
DRILLING GUIDE



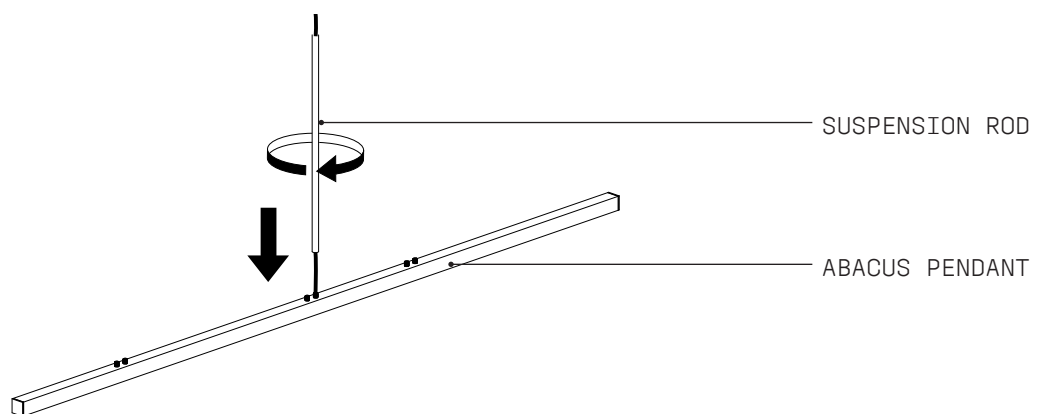
- 3 Prepare the 110-240V AC Power to be connected to the POWER SUPPLY UNIT.



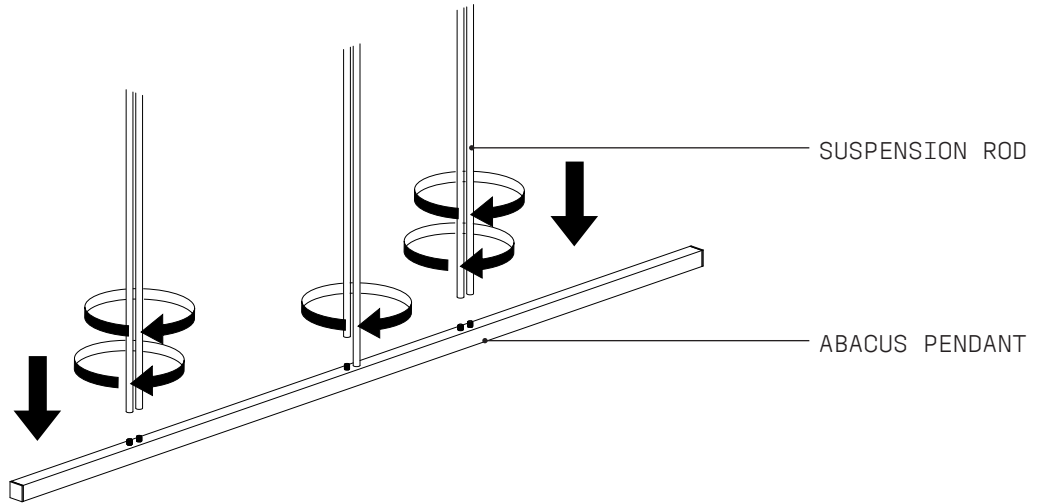
- 4 Wearing gloves, unpackage the ABACUS with care.  
— Do not to scratch the delicate surface of the PENDANT.
  
- 5 Begin by passing the 24V POWER CABLE through SUSPENSION ROD.



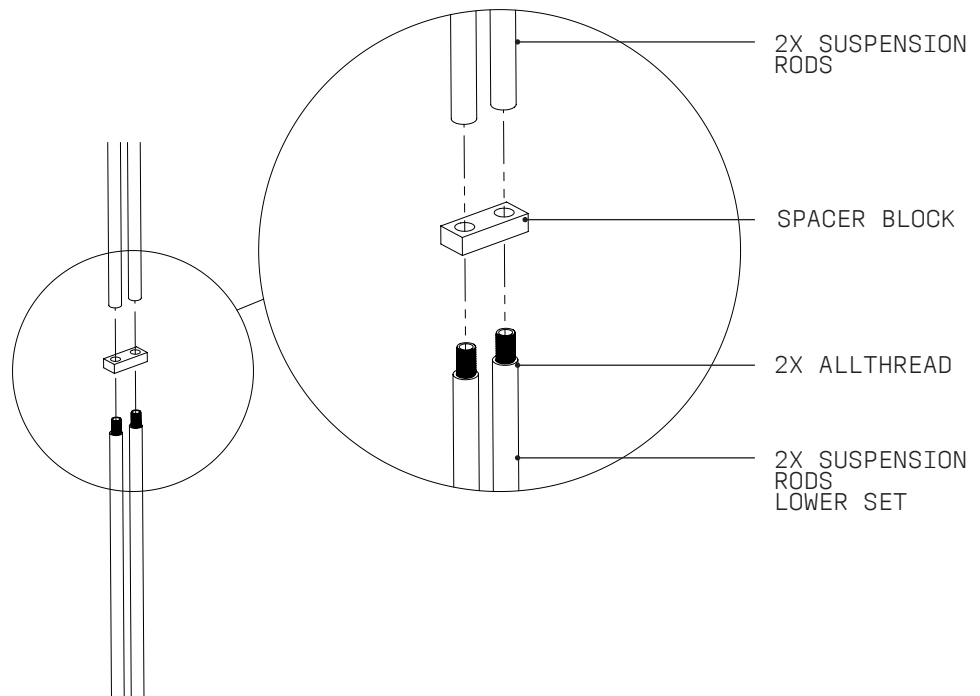
- 6 Tighten SUSPENSION ROD on the ABACUS PENDANT.



7 Tighten remaining SUSPENSION RODS onto the ABACUS PENDANT



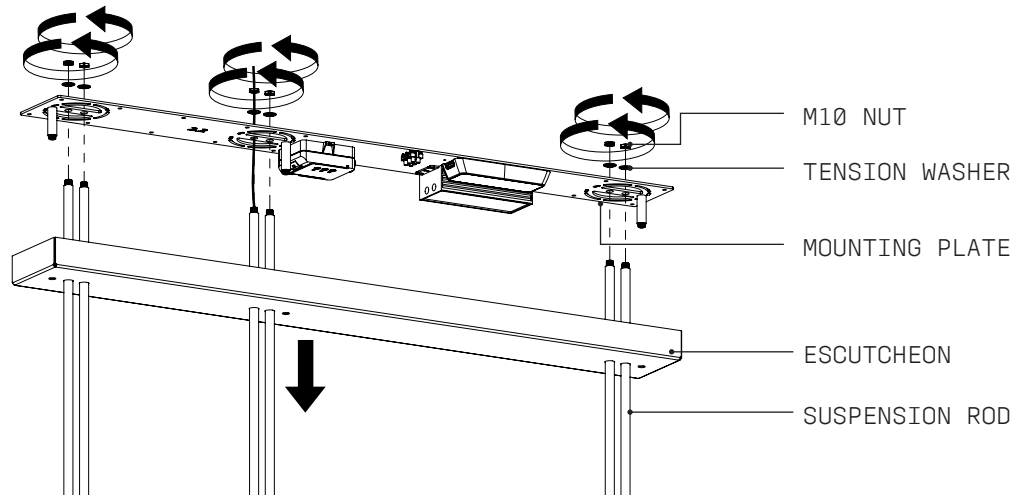
8 If your ABACUS PENDANT requires extra rods to extend the total drop, locate the spacer block on 2 allthreads and tighten next set of rods onto lower set.



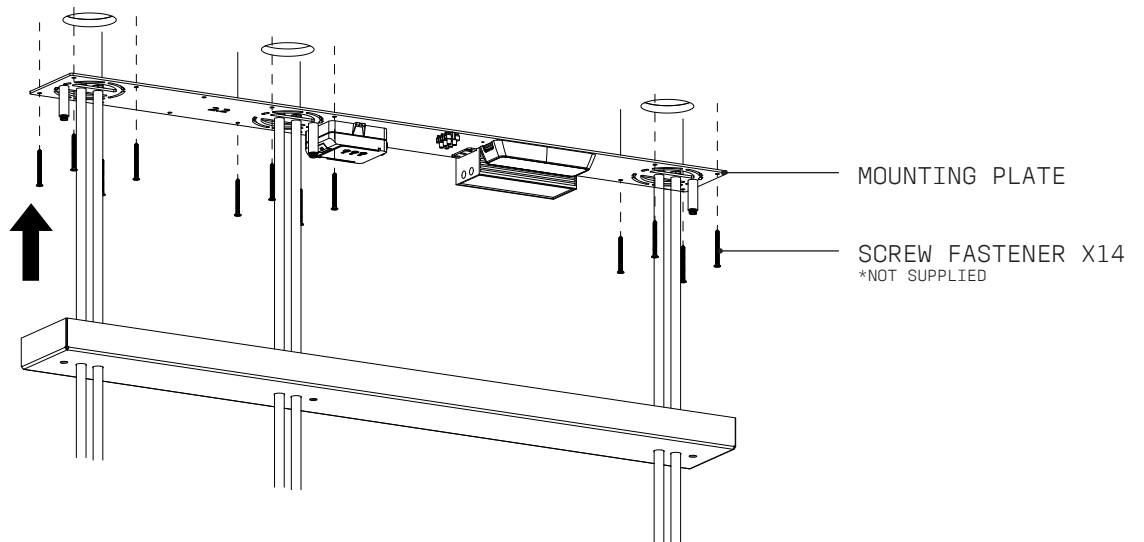
- 9  
 — Carefully lower the ESCUTCHEON onto the 6 SUSPENSION RODS. Ensure not to damage the SUSPENSION RODS as the ESCUTCHEON is being lowered.

Place MOUNTING PLATE on to both SUSPENSION RODS ensuring the POWER SUPPLY is pointing towards the centre of the Pendant.

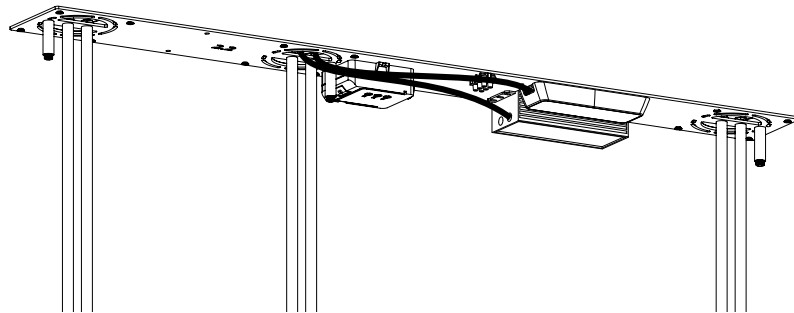
Tightly fasten both TENSION WASHERS and M10 NUTS onto SUSPENSION RODS



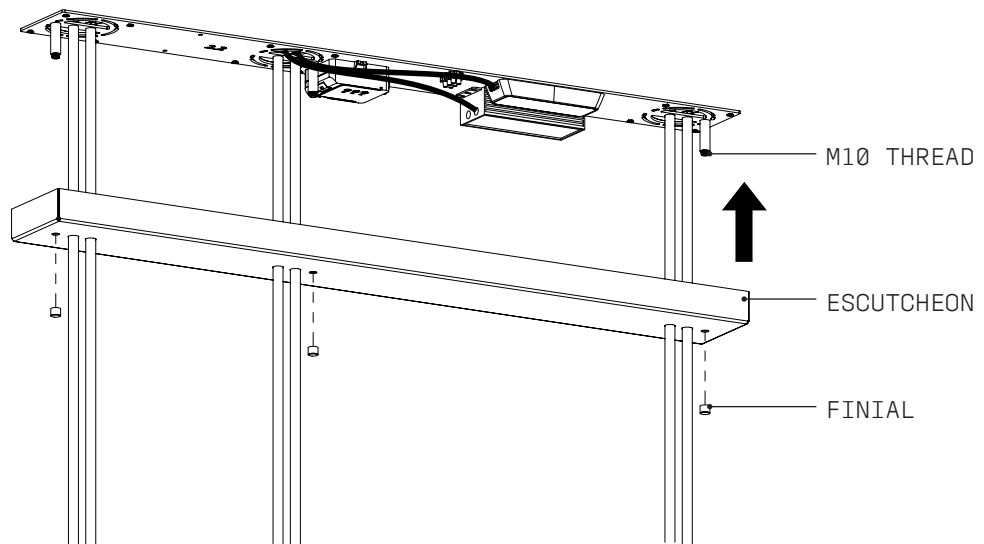
- 10  
 — Attach the MOUNTING PLATE to the prepared Substrate with appropriate Fasteners.



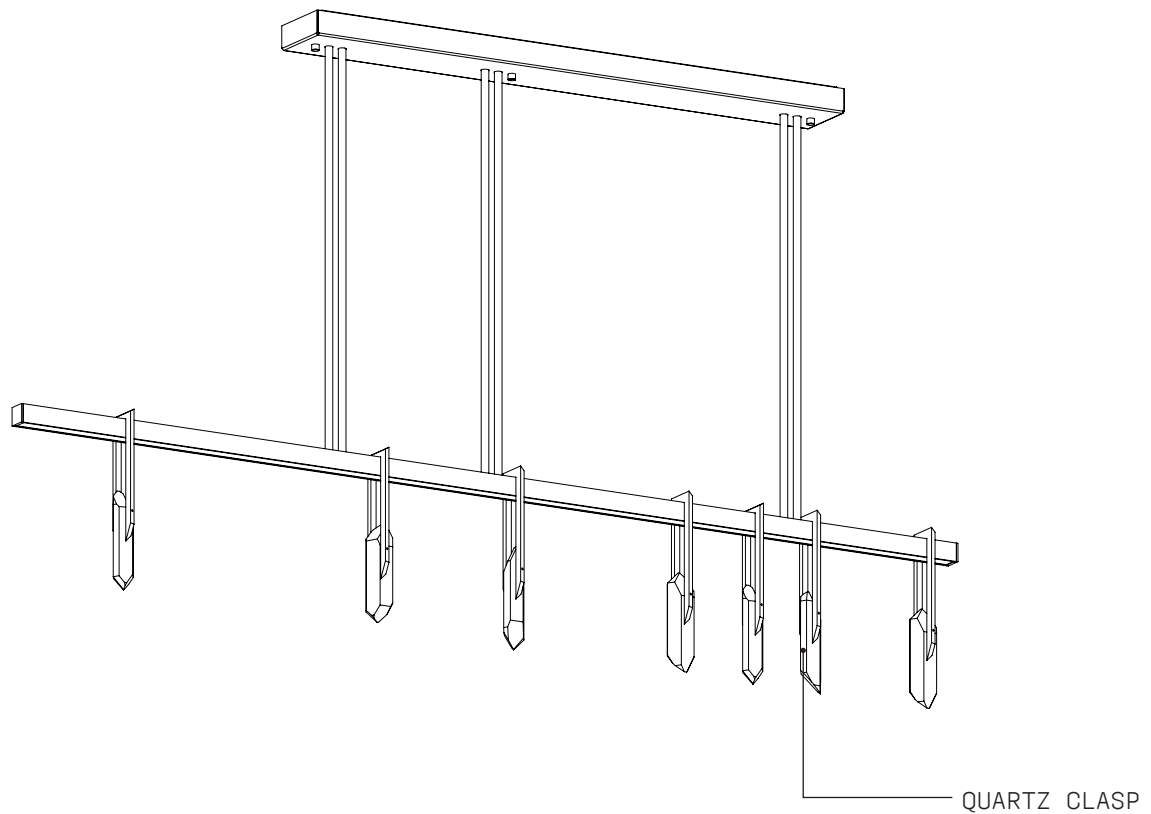
- 11 — A. Connect the 110–240V AC Power to the POWER SUPPLY UNIT.  
 B. Connect the POWER CABLE from the PENDANT to the POWER SUPPLY UNIT.  
 Refer to supplied WIRING DIAGRAM →



- 12 — Carefully raise ESCUTCHEON to the ceiling until the 2 M10 threads are exposed and tighten a FINIAL onto each thread.  
 Ensure not to damage the SUSPENSION ROD as the ESCUTCHEON is being raised.

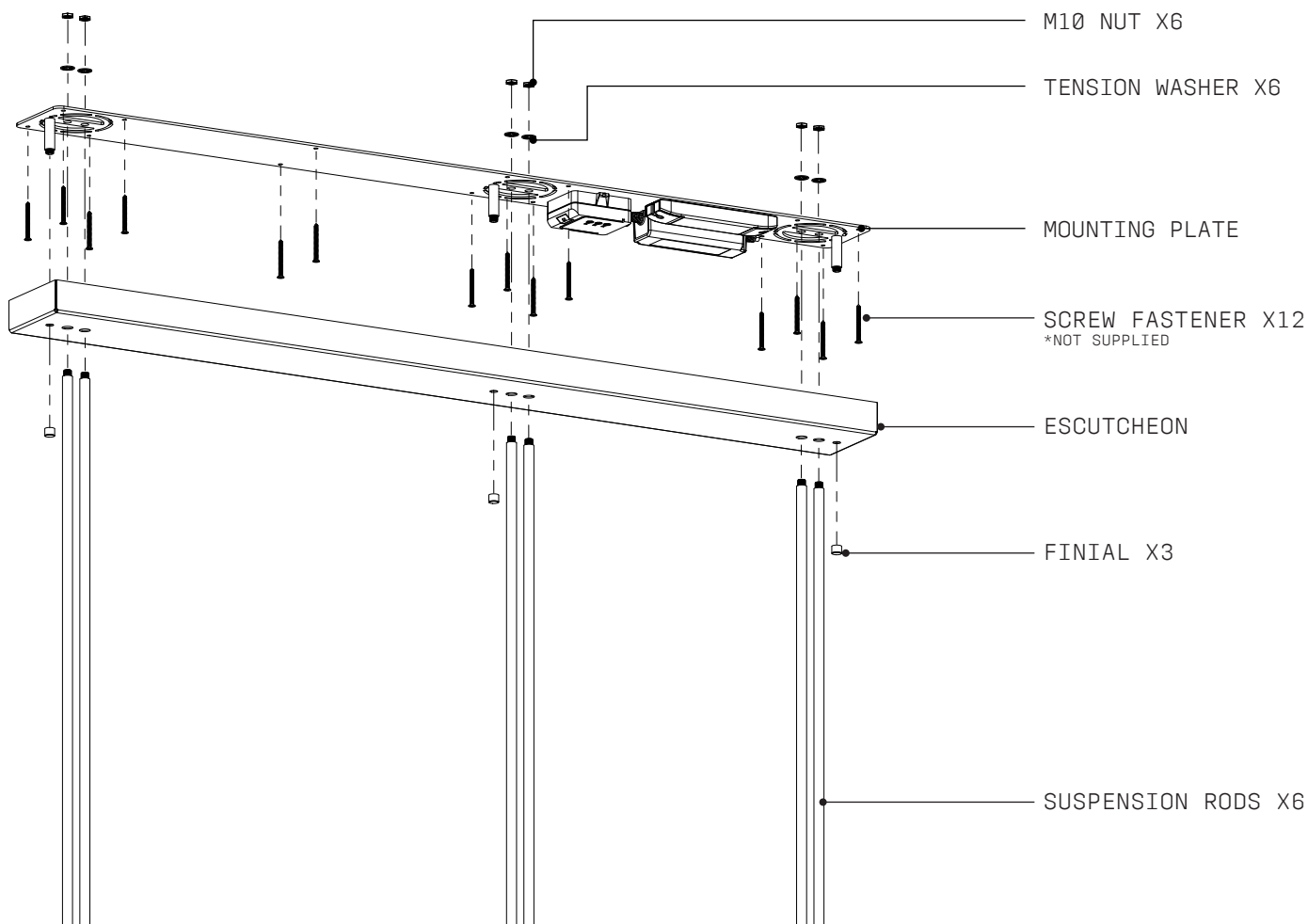


- 13 — Conduct a final visual assessment of both the canopy and pendant to ensure all parts have been properly fitted and secured. Once satisfied that everything is in working order, carefully place QUARTZ CLASPS onto the pendant which will now complete the installation process.





# ABACUS SURFACE LARGE CANOPY





## **WARNING: SHOCK HAZARD**

May result in serious injury or death.  
ENSURE POWER IS OFF before commencing any work.



## **WARNING: ELECTRICAL**

ALL ELECTRICAL connections must be made by a qualified electrician in accordance with the regulations and codes governing the area for which the CHRISTOPHER BOOTS Fixture is intended to be installed in. Failure to do so may result in serious harm or damage to property and life, at the owner's liability and expense.

CHRISTOPHER BOOTS will not be held liable for any damage caused from installation.



## **WARNING: STRUCTURAL**

Ensure that the substrate is securely installed and is in accordance with local building regulations. Failure to do so may potentially result in serious harm or damage of property, at the owner's liability and expense.

CHRISTOPHER BOOTS will not be held liable for any damage caused from installation.

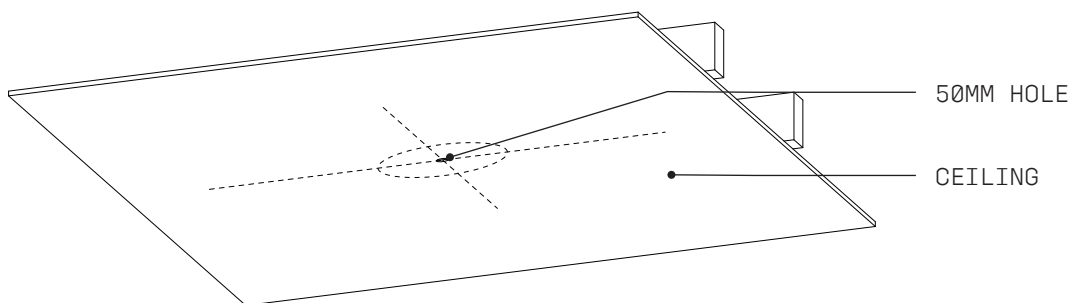


Refer to supplied WIRING DIAGRAM.

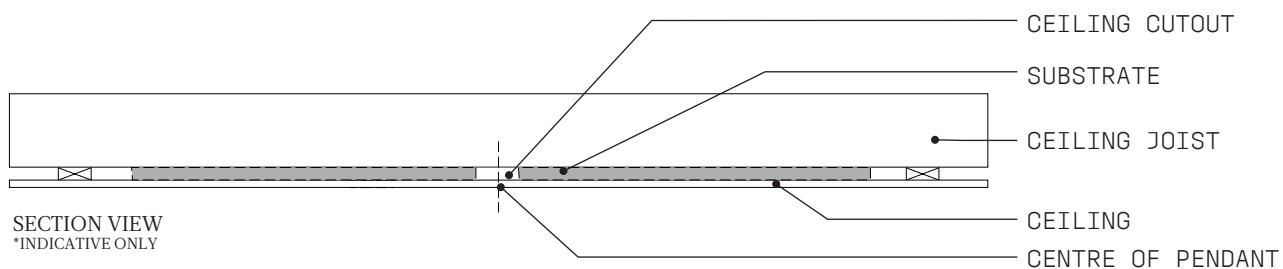
- 1 Wearing gloves, unpack the ABACUS with care ensuring not to scratch the delicate surface.

Separate the MOUNTING PLATE from the other components.

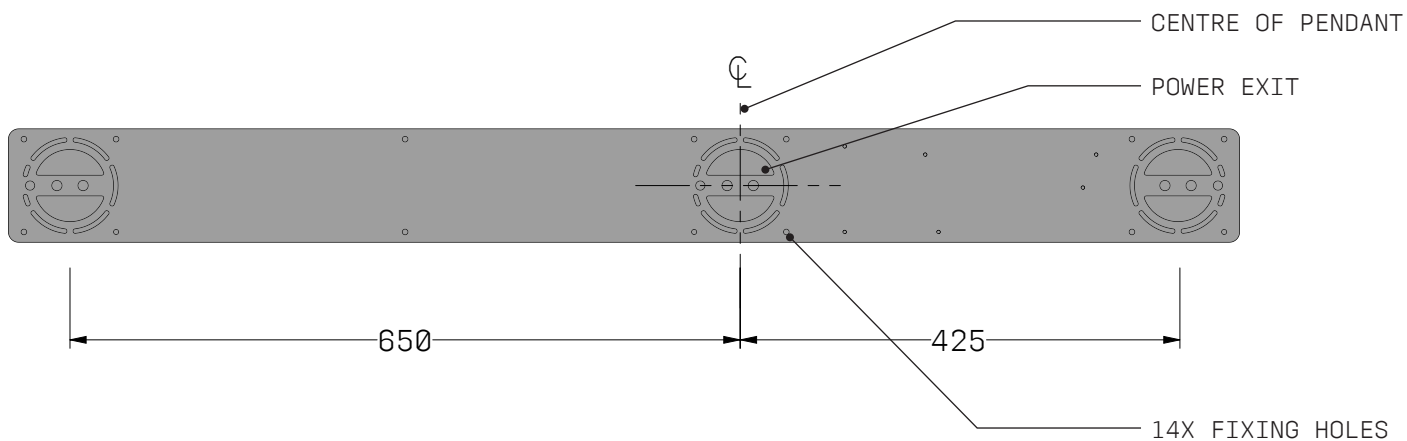
Prepare a Ø50mm hole on the ceiling central to the Pendants final hanging position.



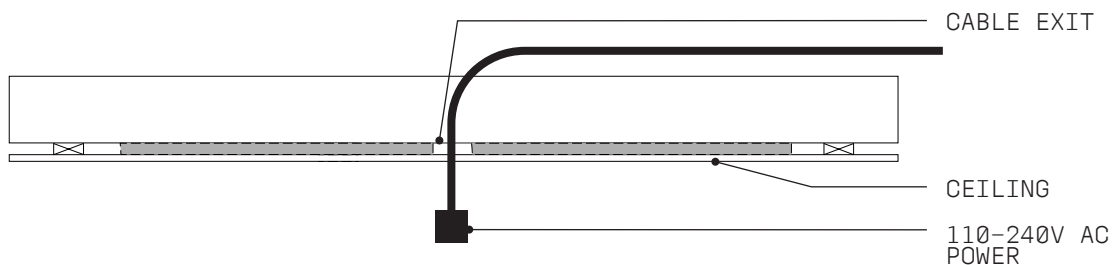
- 2 Installer to provide adequate load-bearing substrate, utilising ceiling joist where additional support is required. For accurate placement of CEILING CUTOUT in the Substrate, use the MOUNTING PLATE as a guide.



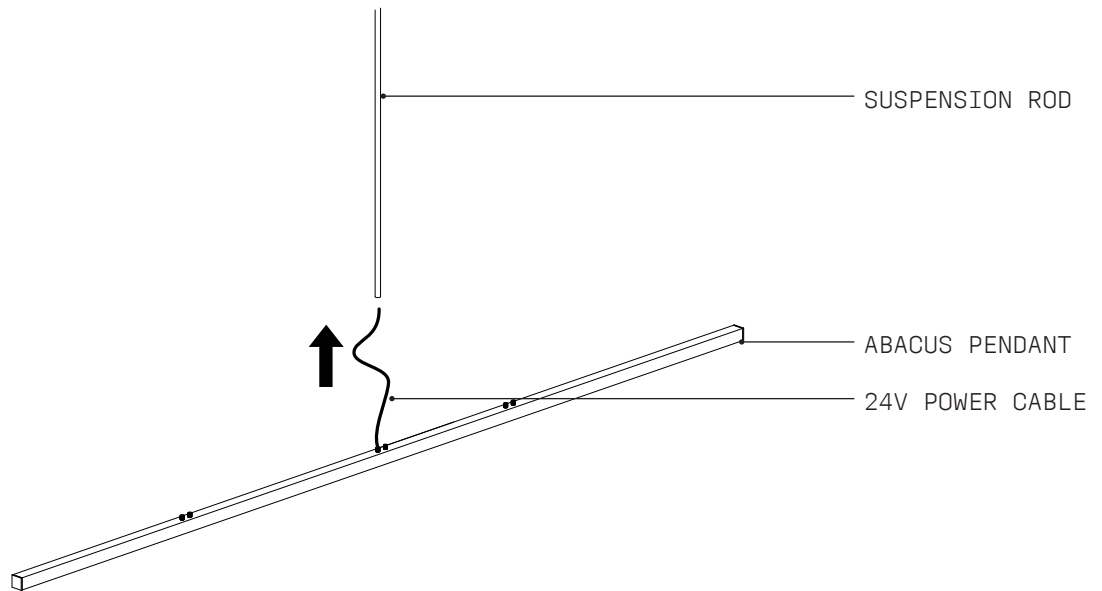
DRILLING GUIDE



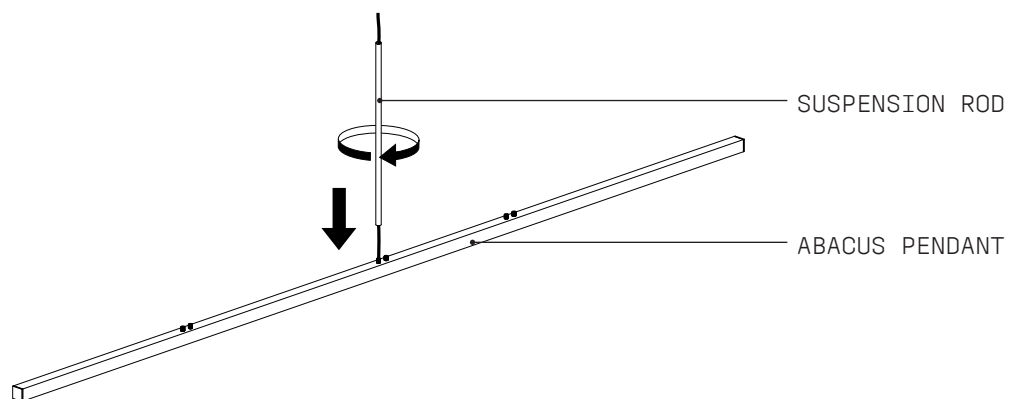
3 Prepare the 110-240V AC Power to be connected to the POWER SUPPLY UNIT.



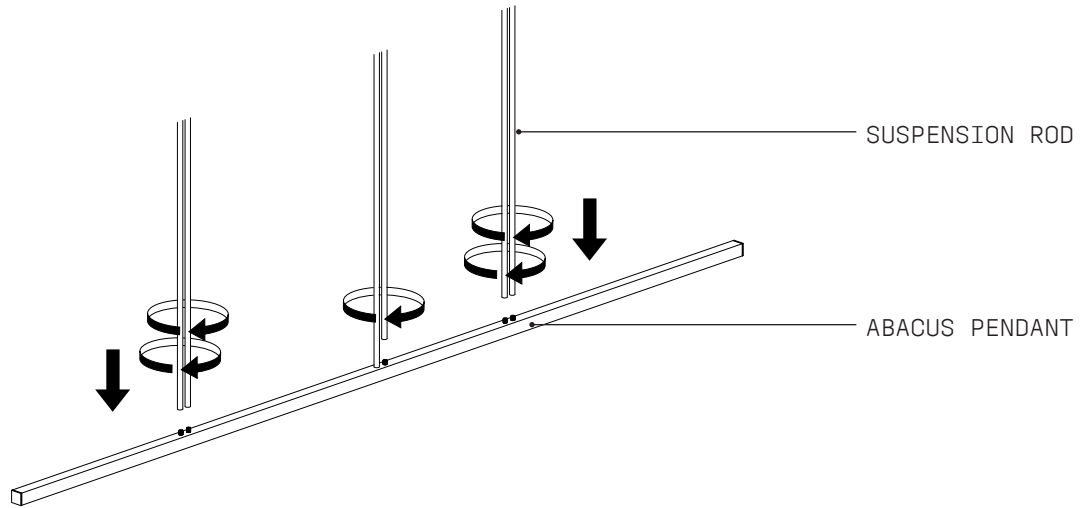
- 4 Wearing gloves, unpackage the ABACUS with care.  
 — Do not to scratch the delicate surface of the PENDANT.
  
- 5 Begin by passing the 24V POWER CABLE through SUSPENSION ROD.



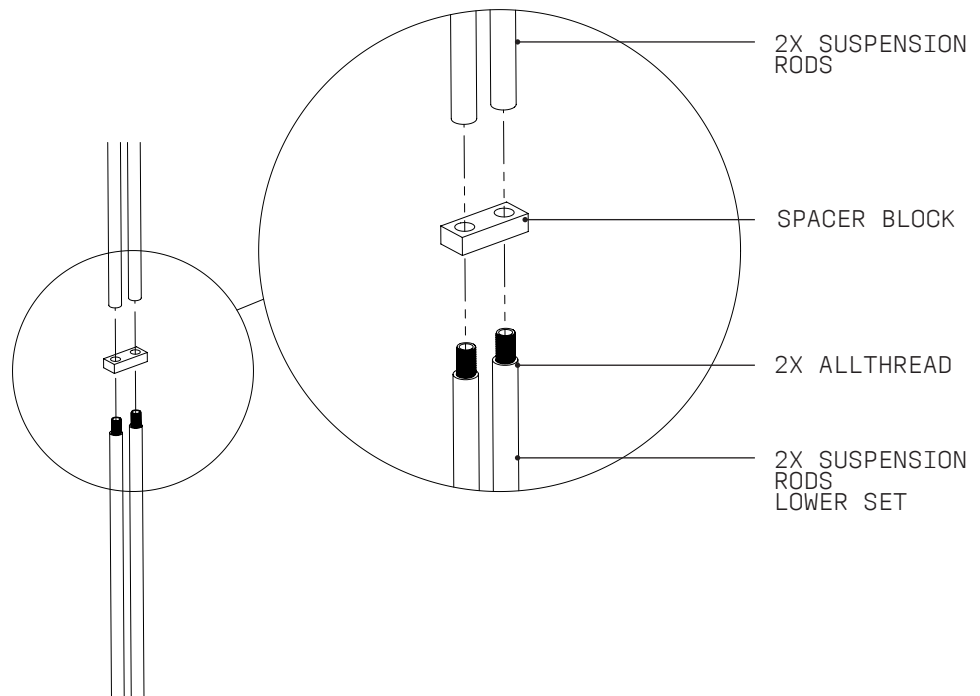
- 6 Tighten SUSPENSION ROD on the ABACUS PENDANT.



7 Tighten remaining SUSPENSION RODS onto the ABACUS PENDANT



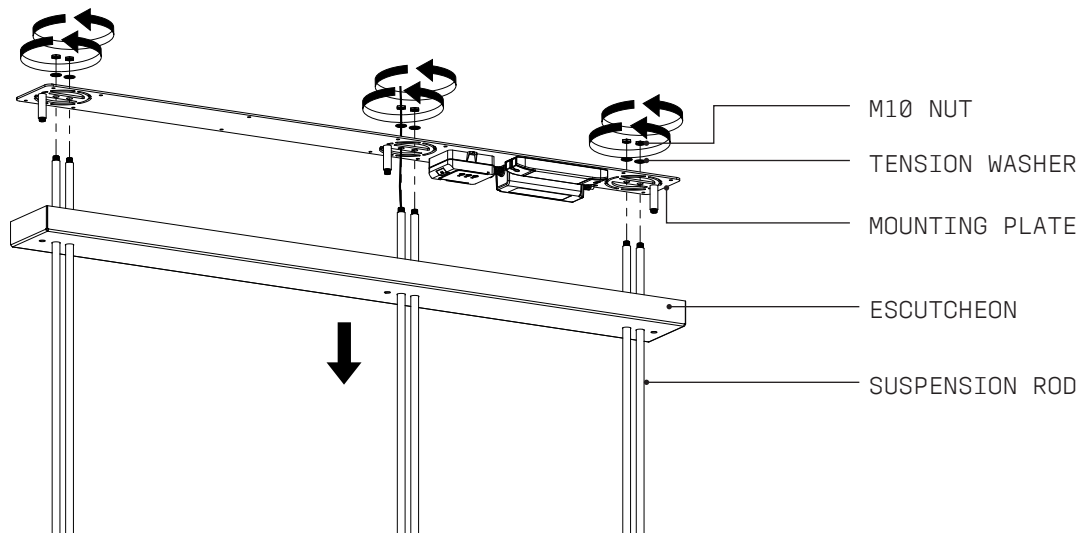
8 If your ABACUS PENDANT requires extra rods to extend the total drop, locate the spacer block on 2 allthreads and tighten next set of rods onto lower set.



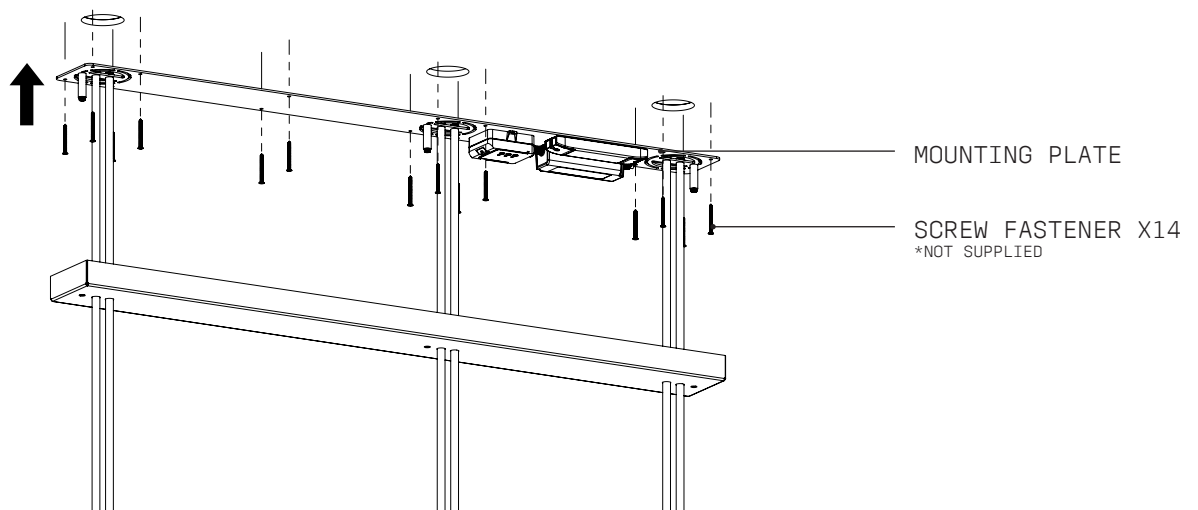
- 9 Carefully lower the ESCUTCHEON onto the 6 SUSPENSION RODS. Ensure not to damage the SUSPENSION RODS as the ESCUTCHEON is being lowered.

Place MOUNTING PLATE on to both SUSPENSION RODS ensuring the POWER SUPPLY is pointing towards the centre of the Pendant.

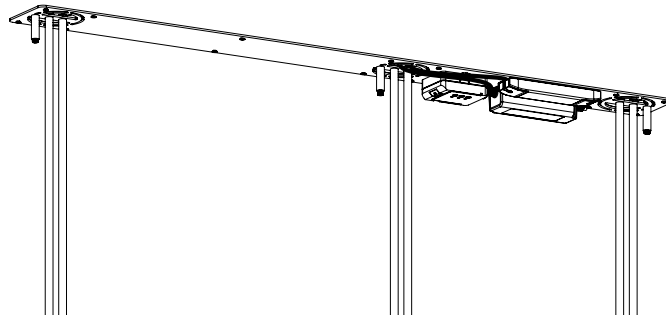
Tightly fasten both TENSION WASHERS and M10 NUTS onto SUSPENSION RODS



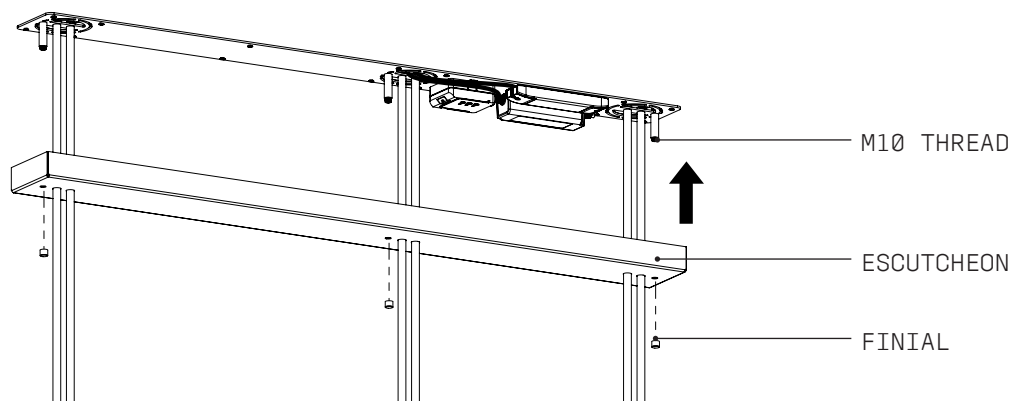
- 10 Attach the MOUNTING PLATE to the prepared Substrate with appropriate Fasteners.



- 11 — A. Connect the 110–240V AC Power to the POWER SUPPLY UNIT.  
 B. Connect the POWER CABLE from the PENDANT to the POWER SUPPLY UNIT.  
 Refer to supplied WIRING DIAGRAM →



- 12 — Carefully raise ESCUTCHEON to the ceiling until the 2 M10 threads are exposed and tighten a FINIAL onto each thread.  
 Ensure not to damage the SUSPENSION ROD as the ESCUTCHEON is being raised.





- 13 — Conduct a final visual assessment of both the canopy and pendant to ensure all parts have been properly fitted and secured. Once satisfied that everything is in working order, carefully place QUARTZ CLASPS onto the pendant which will now complete the installation process.

