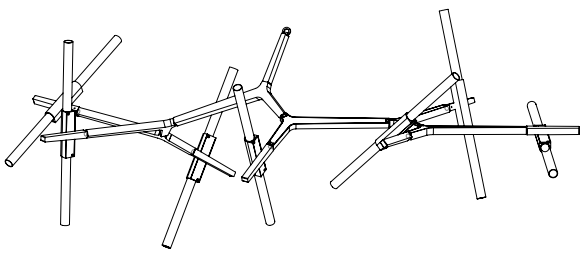

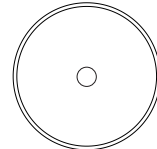



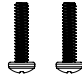


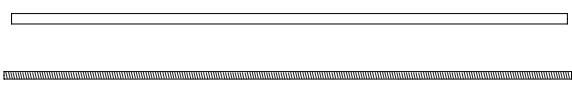




## CONTENTS

### Agnes 14 Chandelier

		<b>Crossbar</b> 	<b>Canopy</b> 
		<b>3-32 Allen Key</b> 	<b>Wire Connectors (2)</b> 
<b>1/4 IPS Nipple</b> 	<b>#8-32 Screws (2)</b> 	<b>Hangstraight</b> 	<b>Hook (2)</b> 
<b>Stem and Threaded Tube</b> 		<b>Bulbs (14)</b> 	<b>Glass Diffusers (14)</b> 

## SAFETY INFORMATION

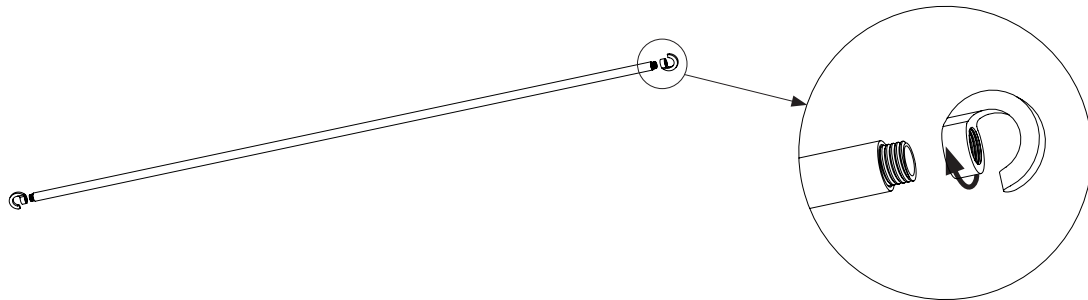
Only one light bulb per socket.  
 Only suitable for direct mounting on non-combustible surfaces.  
 Under no circumstances can this fixture be mounted on normally flammable surfaces.  
 Suitable for dry, indoor use only.  
 Maximum ambient temperatures: 25° C

## CEILING INSTALLATION | AGNES

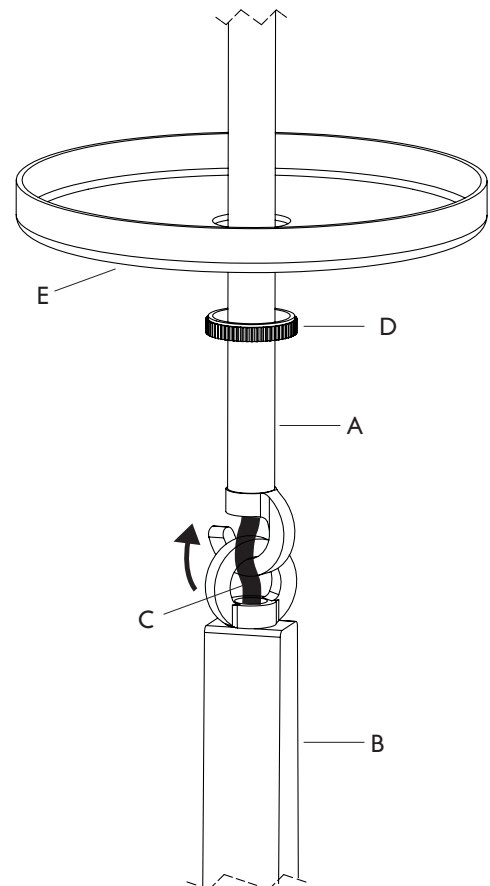
---

*Note: Please contact a licensed electrician.*  
*Note: Do not use bulbs that exceed 25 watts.*

01. To customize the length of the provided 36-inch stem, you may cut to desired length. Then cut the inner all-thread tube to the same length plus 1/2 inch to allow room for threading. Thread the hooks back on to either end of the stem.

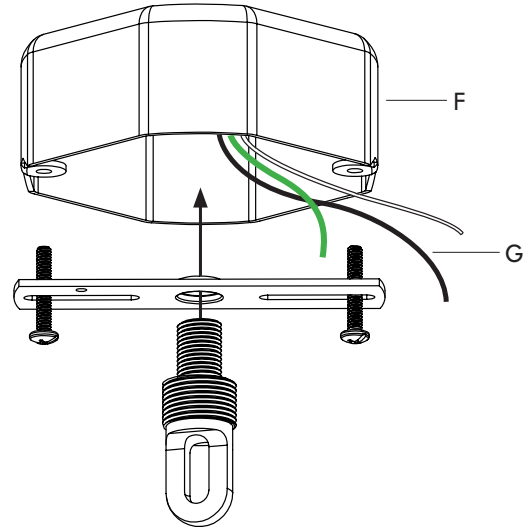


02. Attach the stem (A) to the lighting fixture (B) using the hook and loop. Feed the black lead wire (C) up from the fixture through the stem.
03. Slide the hangstraight nut (D) and then the canopy (E) onto the stem.

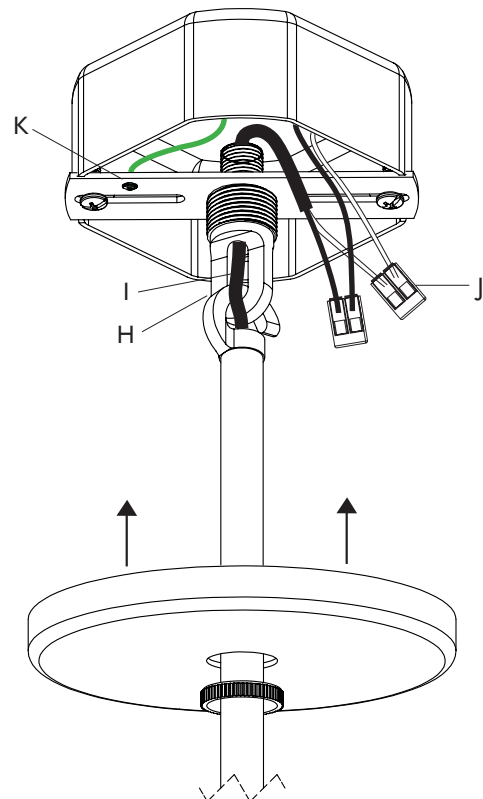


## CEILING INSTALLATION | AGNES

04. Install the crossbar using #8-32 screws to junction box (F). It is recommended to pull the main wires out so they are accessible while making the main connection later (G).
05. Once the crossbar is secure, screw the 1/4 IPS nipple into the hangstraight and then into the crossbar.



06. Carefully lift the fixture and secure the opposite hook on the stem to the hangstraight loop (H). Note that the hangstraight nut and canopy are not attached at this point and hang below the junction box connection. This will allow you to make the lead connections.



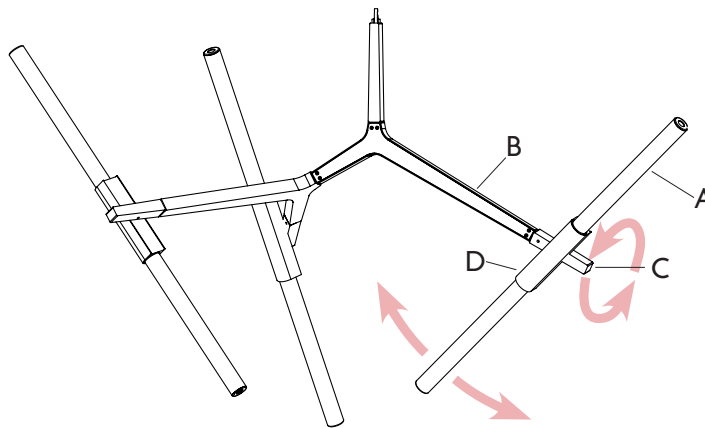
07. Once the fixture is secured to the hangstraight, guide the lead from the stem through the hangstraight into the junction box (I). Strip the wires and make the connections to the leads in the ceiling (J). Attach the green ground wire to the crossbar with the ground screw (K).
08. Tuck the connected wires into the junction box and raise the canopy and hangstraight nut. Thread the nut onto the hangstraight, tightening the canopy flush to the ceiling.

## ROTATING THE TIPS | AGNES

---

*Note: Make sure to power off fixture and allow bulbs and metal arms to cool.*

01. To change angle of the glass (A), hold fixture steady by gripping the Y Body (B) with one hand, and carefully rotate the Tip (C) with the other. The tip rotates up to 270°.
02. For further adjustment, hold the tip steady with one hand and carefully twist the cup (D) with the other. The cup rotates up to 90°.



## CHANGING THE BULBS | AGNES

---

*Note: Make sure to power off fixture and allow bulbs and metal arms to cool.*

01. Carefully unscrew glass (A) from metal cups (D) in counterclockwise direction.
02. Pull the bulb out of the socket and replace.

