

SkLO

Twin 2.0

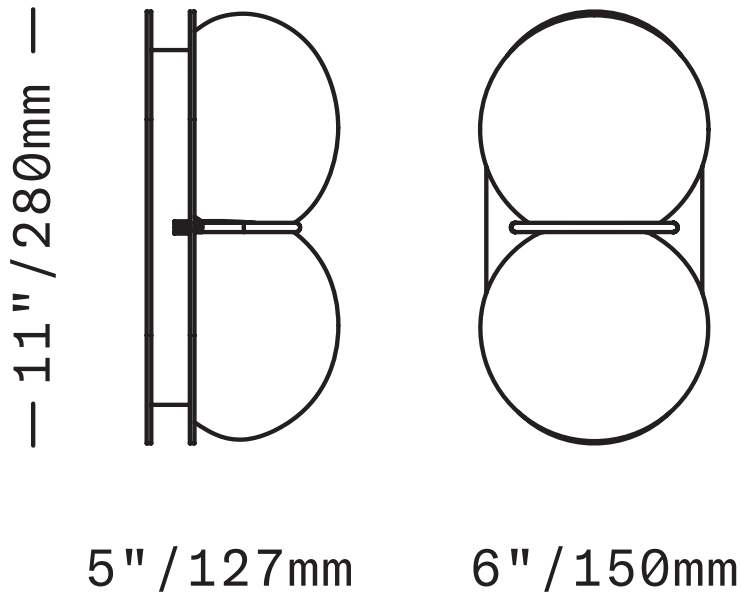
SCONCE/CEILING

twentieth

sales@twentieth.net

323.904.1200

www.twentieth.net



The Twin 2.0 Sconce/Ceiling features a two-tone diffuser of handblown Czech glass made up of two flattened spherical shapes in two colors which are melded together while hot on the glass blowing pipe.

The glass is held to a solid brass canopy by a brass band that sits between the two spheres. Each sphere is lit from within by its bulb, one in each sphere.

UL listed suitable for dry and damp locations (US & Canada)

Sockets 120V G9 20W Max

LED bulbs included

Requires recessed electrical box for installation

Fixture weight (approximate): 10lbs/4.5kg

All glass dimensions are approximate – handblown glass dimensions vary by nature and intent

Made in the Czech Republic

LTM08 [---][--]

Glass colors

Twin 2.0 Sconce/Ceiling

- Blue Palette [PBL]
- Mint Green Palette [MGR]
- Oyster Palette [OST]
- Pastel Pink Palette [PPK]
- White Palette [WHT]

Metal finishes

- Dark Oxidized [DX]
- Brushed Brass [BB]
- Brushed Nickel [BN]
- Polished Nickel [PN]

