



ARBOUR

LINEAR PENDANT

A continual timber solid, formed to unite space and celebrate the beauty of the natural. Arbour is a linear timber light which creates the perfect downward luminosity. Created by the divergence of two curves that flow along and around the product.

Solid American Walnut, Rock Maple, American Oak or Black Stained marries perfectly with the hand polished champagne anodised elements.

AVAILABLE FINISHES



ROCK MAPLE
SOLID TIMBER



AMERICAN WALNUT
SOLID TIMBER



AMERICAN OAK
SOLID TIMBER

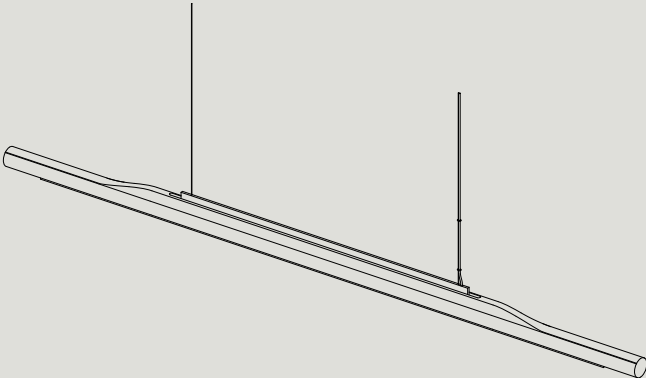


BLACK STAINED
SOLID TIMBER

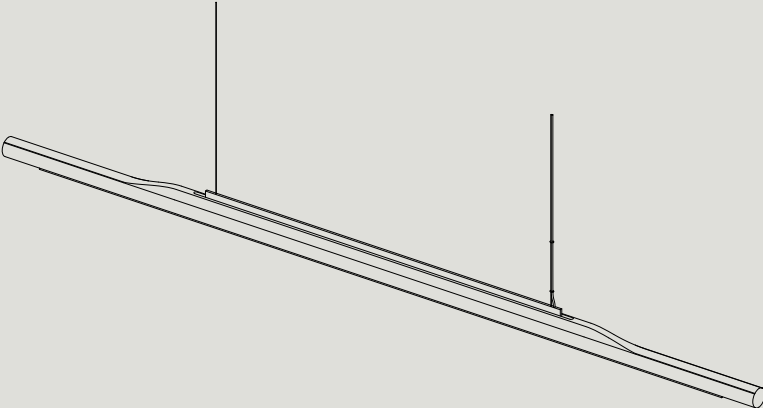
TECHNICAL

MATERIAL	SOLID TIMBER, ANODISED ALUMINIUM	CERTIFICATION	AU/NZ AS/NZS 60598.1, 60598.2.1 EU EN 60598.1, 60598.2.1 US/CAN Testing available upon request.
LAMPING	HIGH-OUTPUT 24V COMMERCIAL GRADE LED STRIP WITH EXTERNAL DRIVER. 3000K WARM WHITE, CRI>80, DIMMABLE CONSUMPTION: 14.64W/METRE OUTPUT LUMINANCE: 1385LM/METRE IF THE CEILING CAVITY CANNOT HOUSE THE DRIVER PLEASE CONTACT THE STUDIO FOR FURTHER OPTIONS.	IP RATING	IP20 - FOR INDOOR USE ONLY
220-240V REGIONS	DIMMING OPTIONS · PHASE - DIMMING RANGE 5 - 100% · DALI - DIMMING RANGE 1 - 100%	CANOPY	VARIOUS - SEE CANOPY OPTIONS ON FOLLOWING PAGE
110-120V REGIONS	DIMMING OPTIONS · 1-10V - DIMMING RANGE 0 - 100% · PWM - DIMMING RANGE 0 - 100%	CORD	2M / 7' CLEAR CORD AND SUSPENSION WIRE NOTE: LONGER LENGTHS AVAILABLE UPON REQUEST
LED LIFESPAN	50,000 HRS	PRODUCT SKU CODE	EG. APS-H-AWT - ARBOUR LINEAR PENDANT STANDARD IN AMERICAN WALNUT APS-H-XXX ARBOUR LINEAR PENDANT STANDARD APL-H-XXX ARBOUR LINEAR PENDANT LONG
CONTROL	AVAILABLE AS; 1-10V, PHASE, DALI OR NON-DIMMING - PLEASE SPECIFY WHEN ORDERING. DIMMING RANGE 10 - 100% FOR OPTIMAL DIMMING PERFORMANCE WE RECOMMEND SOURCING A ROTARY OR PUSH BUTTON DIMMER WITH AN ADJUSTMENT DIAL CAPABLE OF SETTING THE DIMMING RANGE OF THE FIXTURE.	FINISHES FOR ALL VARIATIONS:	TIMBER: ROCK MAPLE (H-RKM), AMERICAN WALNUT (H-AWT), AMERICAN OAK (H-OAK) AND BLACK STAINED (H-BLK)
		DIMENSIONS	VARIOUS - SEE DIMENSIONS ON FOLLOWING PAGE*
		WEIGHT	APS - 3.0KG / 6.6LB APL - 4.0KG / 8.8LB
		PACKAGING	APS - Ø 14CM L 200CM / Ø 5.5" L 78.7" APL - Ø 14CM L 240CM / Ø 5.5" L 94.5"
		PACKAGING WEIGHT	APS - 5.0KG / 11.0LB APL - 6.0KG / 13.2LB

DIMENSIONS



AP.S
L 1850 W 50 H 85
L 72" W 1.9" H 3.4"
CEILING CANOPY SPACING L 782 / 30.8"



AP.L
L 2200 W 50 H 85
L 86" W 1.9" H 3.4"
CEILING CANOPY SPACING L 982 / 38.6"

AVAILABLE CANOPIES

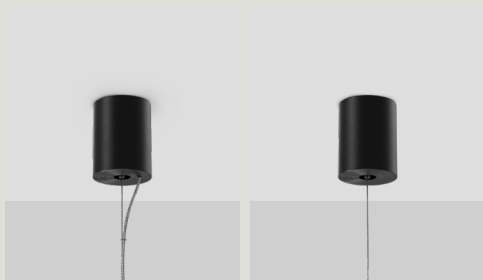
ALL ROSS GARDAM CEILING MOUNTED FIXTURES COME SUPPLIED WITH A CEILING CANOPY UNLESS OTHERWISE SPECIFIED. EACH CANOPY INCLUDES ELECTRICAL CONNECTORS, EARTH WIRE AND CABLE RETENTION TO CONNECT TO MAINS POWER. THE BELOW IMAGES DEPICT THE CEILING CANOPIES AVAILABLE WITH EACH FIXTURE TYPE. IF NO CANOPY IS SELECTED, THE STANDARD CANOPY WILL BE SUPPLIED. NOTE REMOTE DRIVER MUST BE HOUSED IN CEILING.



STANDARD
 SUSPENSION CANOPY &
 SUSPENSION + COAXIAL CANOPY
 CAN.ST.120.SFSU.X-XXX
 Ø120 X 30MM / 4.7" X 1.2"
 DRIVER HOUSED IN CEILING



SLIM
 SUSPENSION CANOPY &
 SUSPENSION + COAXIAL CANOPY
 CAN.SL.SFSU.X-XXX
 Ø120 X 7MM / 4.7" X 0.3"
 DRIVER HOUSED IN CEILING



PUCK
 SUSPENSION CANOPY &
 SUSPENSION + COAXIAL CANOPY
 CAN.PK.SFSU.X-XXX
 Ø50 X 65MM / 2" X 2.6"
 DRIVER HOUSED IN CEILING

TECHNICAL

MATERIAL

ANODISED ALUMINIUM



BLACK ANODISED



CHAMPAGNE ANODISED

CANOPY FINISH

ANODISED BLACK (A-BLK)
 ANODISED CHAMPAGNE (A-CHM)

PRODUCT SKU CODE

EG. CAN.ST.120.SFSU.A-CHM = SUSPENSION CANOPY &
 SUSPENSION + COAXIAL CANOPY IN CHAMPAGNE
 ANODISED FINISH