



GABRIEL SCOTT

EST. 2012



## **PRONG** **Racetrack Side Table**

in Satin Copper  
& Bianco Gioia

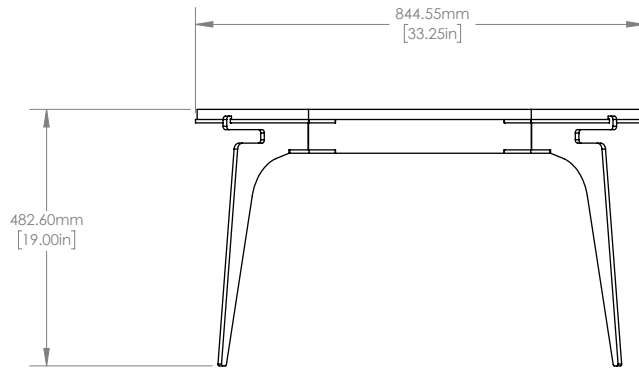
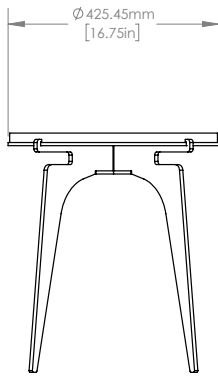
Italian and Turkish marbles set atop its metal base, the Prong collection evokes the image of fine jewelry complete with a precious stone resting above its pedestal.

Through its reinterpretation of a classic geometric aesthetic, the Prong offers a dynamic interplay of round contours intersecting with long delicate legs. Base and hardware finishes available in black steel, brass, copper, and nickel.

All Gabriel Scott pieces are handmade in Canada.

twentieth

sales@twentieth.net  
323.904.1200  
www.twentieth.net



## SPECIFICATIONS

### Standard Finishes:

Metal: Blackened Steel, Satin Nickel,  
Satin Brass or Satin Copper

Marble: Grigio Carnico, Silver Wave or Bianca Gioia

### Specifications:

Dimensions: 33.25" x 16.75" x 19" H

85 cm x 43 cm x 48 cm H

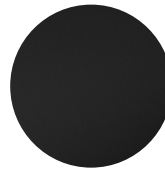
Weight: 40.92 lbs / 18.6 kg

Custom finishes available upon inquiry.

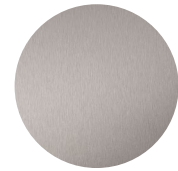
Made and assembled in Canada.

## STANDARD FINISHES

### Metal:



Blackened Steel -  
Base/Hardware



Satin Nickel -  
Base/Hardware



Satin Brass -  
Base/Hardware

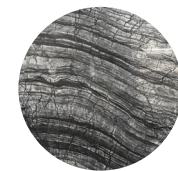


Satin Copper -  
Base/Hardware

### Marble:



Grigio Carnico -  
Black Marble



Silver Wave -  
Silver Marble



Bianca Gioia -  
White Marble

twentieth

sales@twentieth.net  
323.904.1200  
www.twentieth.net