

# LUNA 1-Tier Chandelier

## Installation Guide

- Suspended mount only.
- Certified electrician recommended for electrical installation.
- Minimum 2 people recommended for installation.
- Terminal Block not included. Installation may require advice from a qualified person.
- Junction box rated for minimum of 100lbs or structural blocking required to support fixture.
- Structural blocking required at monopoint locations, adequate drywall plugs may be substituted.
- For all LED fixtures, use only with class 2 power unit.
- The light source contained in this luminaire shall only be replaced by the manufacturer or his service agent or a similar qualified person. Contact manufacturer for service.
- For controllable luminaires, the classification of insulation that has been maintained between LV supply and control conductors shall be provided.... basic insulation, reinforced insulation etc.

**\* IMPORTANT: Please provide email confirmation that your order and its related components have been received in their entirety and in good condition. Failure to do so within 7 days of delivery will waive all product warranties.**



### Provided supplies

- 1 Tier Luna fixture
- Hanging template
- Male monopoints
- Universal T-bar
- Installation screws

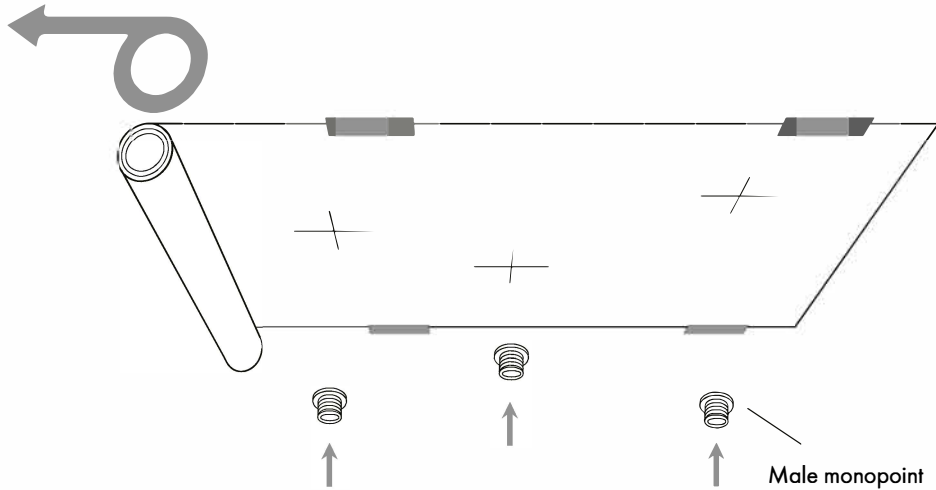
### Required tools and hardware

- Screwdriver
- Drywall anchors suitable for 25lbs for mono points
- 4x 2-pole wiring terminals, screws or screwless, 12-18AWG (1.0-2.5mm<sup>2</sup>) rated for 600V, 15A /  
ex: WAGO 222-412
- LED driver; Input: local line voltage, output 24Vdc SELV, 5A, max 60 watt class 2 LED driver

### STEP 1

Tape provided 1:1 printed template to ceiling at desired location and install all male monopoints at the cross indicated on the template.

Note: Each anchor point should be capable of supporting 25lbs and therefore adequate blocking or toggle bolts are required for proper support at the location of each male monopoint.

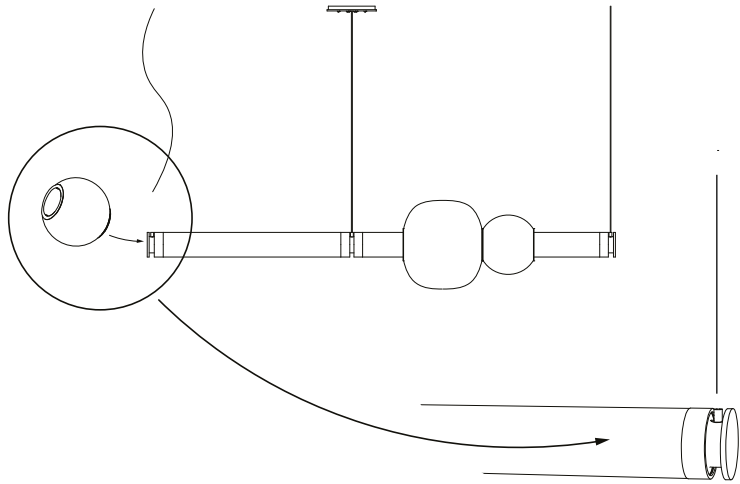


twentieth

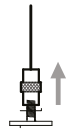
sales@twentieth.net  
323.904.1200  
www.twentieth.net

**STEP 6**

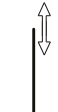
Install the volumes by removing the aircraft cable from the plunger and then sliding the volume onto the tube, finish by re-inserting the aircraft cable to properly support the fixture. Be sure to properly support the fixture during the step especially when the aircraft cables are disconnected



**Locknut**



1. Loosen locknut from the cable gripper



2. Move the cable in or out to the desired height



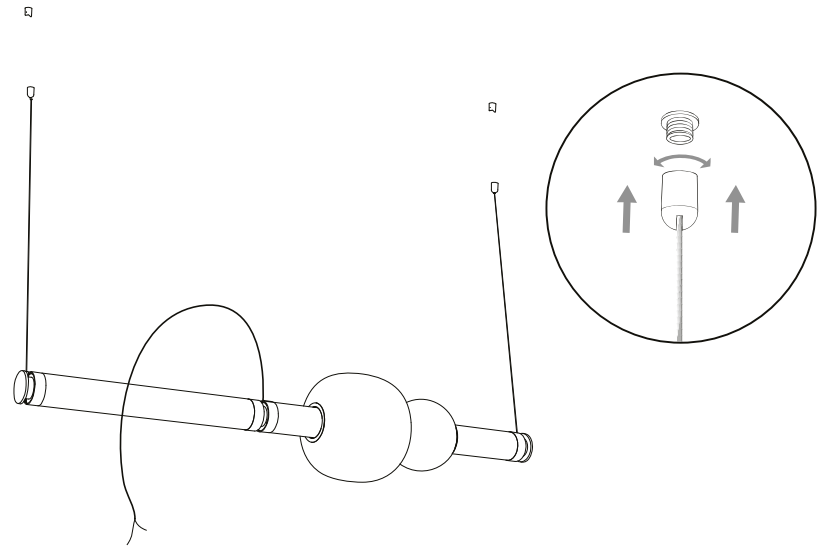
3. Secure the locknut back in place



**Note:**  
If the cable feels blocked, cut excess as needed.  
If the wire is frayed, cut with sharp cutters.

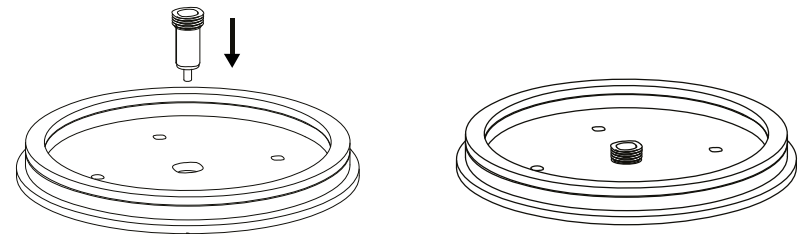
**STEP 2**

Begin hanging the fixture by screwing the female monopoints of each tube section onto the corresponding male monopoints on the ceiling. Be sure to adequately support all elements during installation.



**STEP 3**

**Insert wireway in the canopy, as shown.**

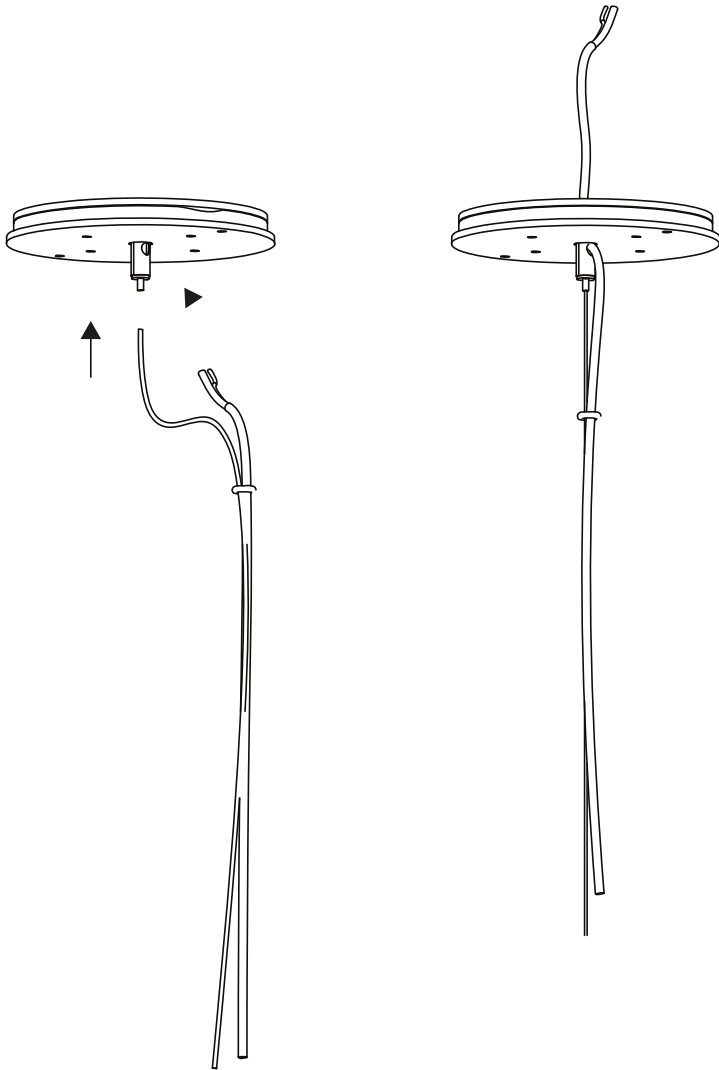


twentieth

sales@twentieth.net  
323.904.1200  
www.twentieth.net

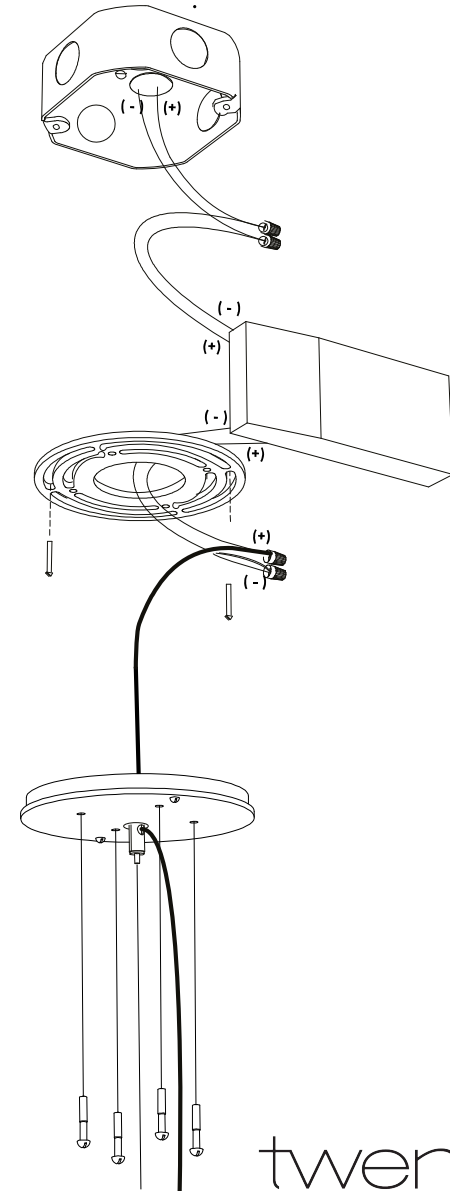
**STEP  
4**

Insert the aircraft cable in the griplock and the coaxial cable through the wireway



**STEP  
5**

Using wire terminals, connect the LED driver to the Luna Fixture (Maximum distance 100'; use 12-18AWG (1.0-2.5mm)). The outer metallic casing of the coaxial cable is Negative (-) and the black wire is Positive (+). Finally install the universal T-bar and then secure the canopy to the T-bar using the screws provided. The drop height should already be set to the correct height with a grip lock.



twentieth

sales@twentieth.net  
323.904.1200  
www.twentieth.net