

LUNA Wall Sconce Installation Guide

- Suspended mount only.
- Certified electrician recommended for electrical installation.
- Minimum 2 people recommended for installation.
- Terminal Block not included. Installation may require advice from a qualified person.
- Junction box rated for minimum of 50lbs or structural blocking required to support fixture.
- Structural blocking required at monopoint locations, adequate drywall plugs may be substituted.
- For all LED fixtures, use only with class 2 power unit.
- The light source contained in this luminaire shall only be replaced by the manufacturer or his service agent or a similar qualified person. Contact manufacturer for service.
- For controllable luminaires, the classification of insulation that has been maintained between LV supply and control conductors shall be provided.... basic insulation, reinforced insulation etc.

***IMPORTANT: Please provide email confirmation that your order and its related components have been received in their entirety and in good condition. Failure to do so within 7 days of delivery will waive all product warranties.**

Provided supplies

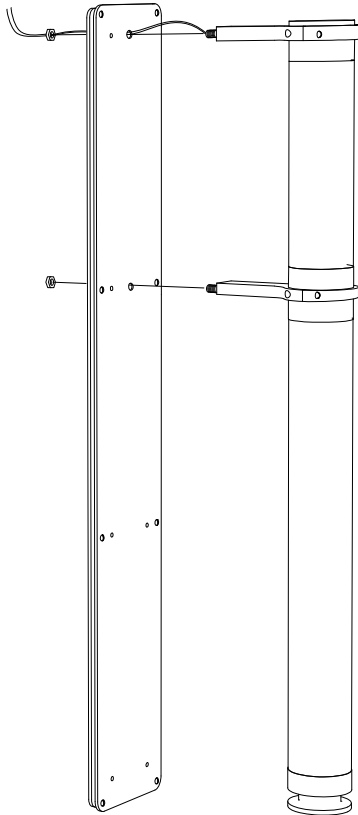
- Luna Wall Sconce fixture
- Hanging template
- Male monopoints
- Universal T-bar
- Installation screws
- LED driver; Input: local line voltage, output 24Vdc SELV, 5A, max 60 watt class 2 LED driver

Required tools and hardware

- Screwdriver
- Drywall anchors suitable for 25lbs for mono points
- 4x 2-pole wiring terminals, screws or screwless, 12-18AWG (1.0-2.5mm²) rated for 600V, 15A / ex: WAGO 222-412

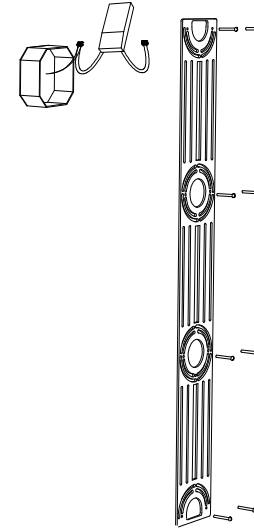
STEP 1

Secure the glass tube assembly to the canopy by passing the wires and nipple through the corresponding opening in the canopy and then secure it with the hex nut.



STEP 2

Place your LED driver in its remote location (Maximum distance 100', use 12-18AWG (1.0-2.5mm²)) then screw the T-bar to the junction box and the wall.



STEP 3

Connect fixture to LED driver, the white wire is negative (-) and the black wire is positive, then with the provided screws secure the fixture to the already installed t-bar.

