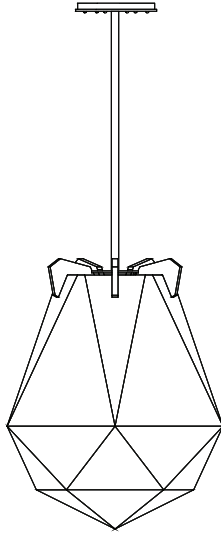


twentieth

sales@twentieth.net
323.904.1200
www.twentieth.net



FILE#: E488971
FILE#: E503097



BRIOLETTE

Pendant

Installation Guide

- Suspended mounted only
- Certified electrician recommended for electrical installation.
- Terminal Block not included. Installation may require advice from a qualified person.
- For all LED fixtures, use only with class 2 power unit.
- The light source contained in this luminaire shall only be replaced by the manufacturer or his service agent or a similar qualified person. Contact manufacturer for service.
- For controllable luminaires, the classification of insulation that has been maintained between LV supply and control conductors shall be provided.... basic insulation, reinforced insulation etc.
- Junction box or structural blocking rated minimum to support 100 lbs required.

*** IMPORTANT: Please provide email confirmation that your order and its related components have been received in their entirety and in good condition. Failure to do so within 7 days of delivery will waive all product warranties.**

GABRIEL SCOTT

CST 2012



Provided supplies

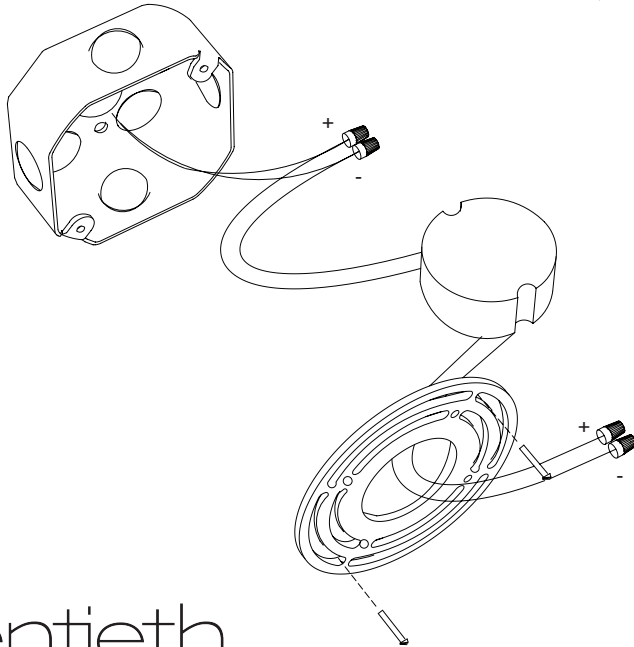
- Socket assembly
- Stem
- Hex nuts and IPS nipples
- Briquette glass (separate box)
- Universal T-bar

Required tools and hardware

- Screwdriver
- 4x 2-pole wiring terminals, screws or screwless, 12-18AWG (1.0-2.5mm²) rated for 600V, 15A / ex: WAGO 222-412
- LED driver; input: local line voltage, output: 12Vdc SELV, 5A, Max 60 watt, Class 2 LED driver

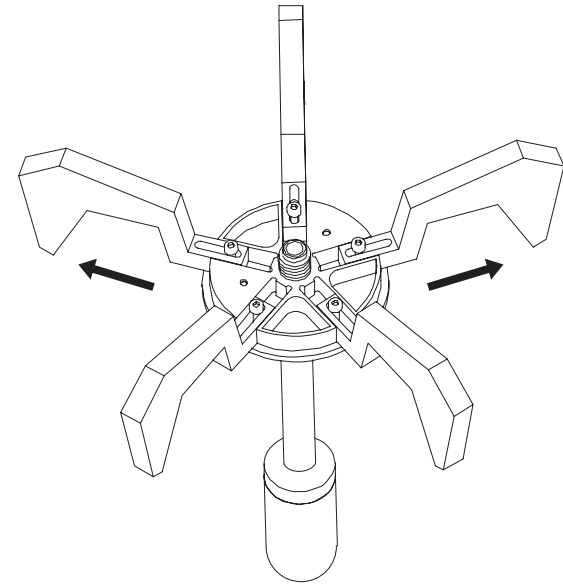
STEP 1

Shut down associated electrical breaker and wire LED driver to power source using wiring terminals. Install universal canopy to junction box in ceiling.



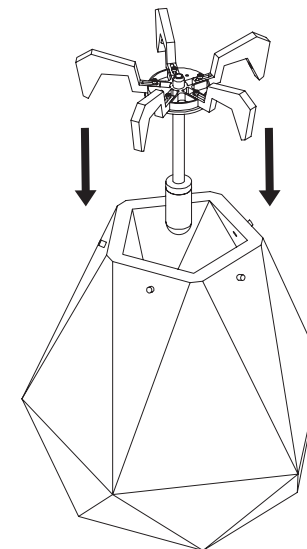
STEP 2

Loosen the screws on the light assembly and expand the briquette glass retaining spider.



STEP 3

While supporting the glass on a flat, padded surface, carefully slide the light assembly down into the Briquette glass.

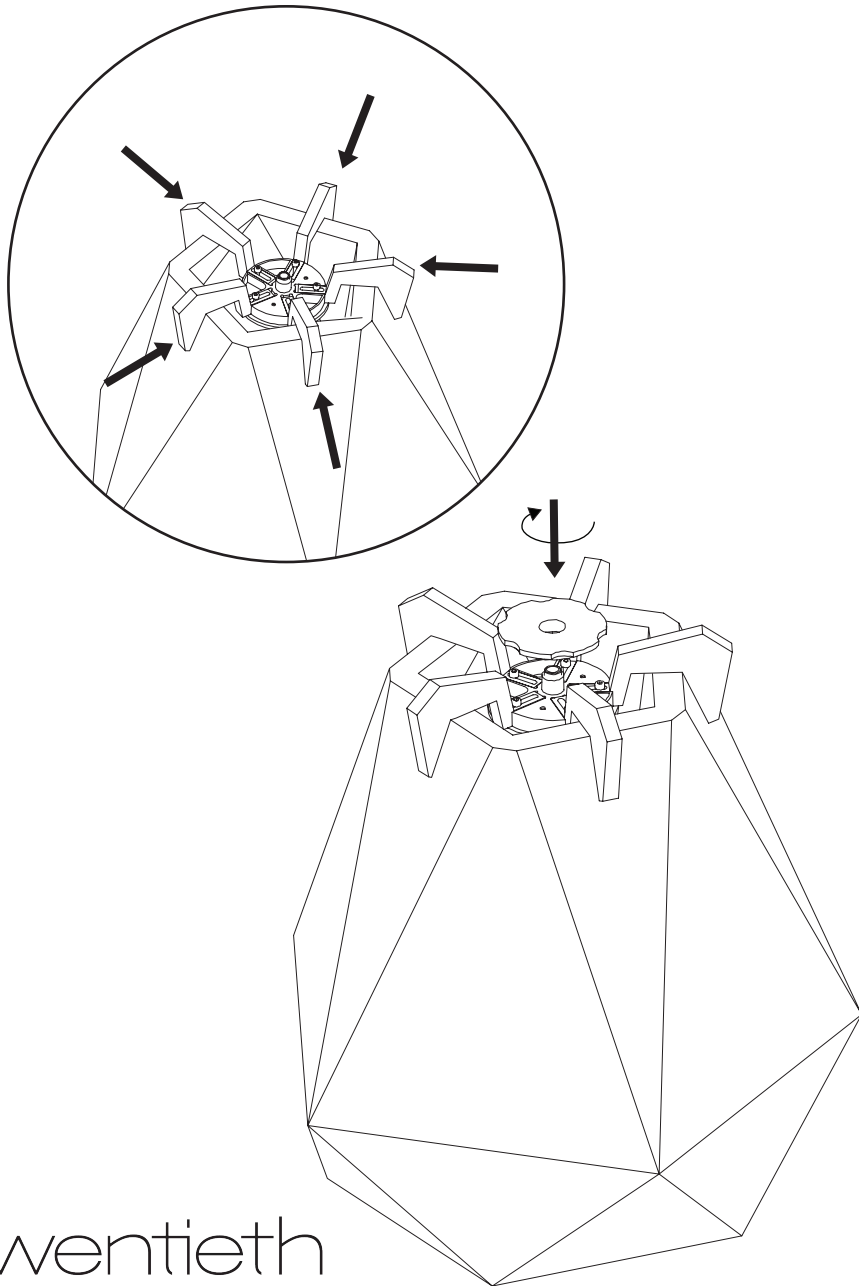


twentieth

sales@twentieth.net
323.904.1200
www.twentieth.net

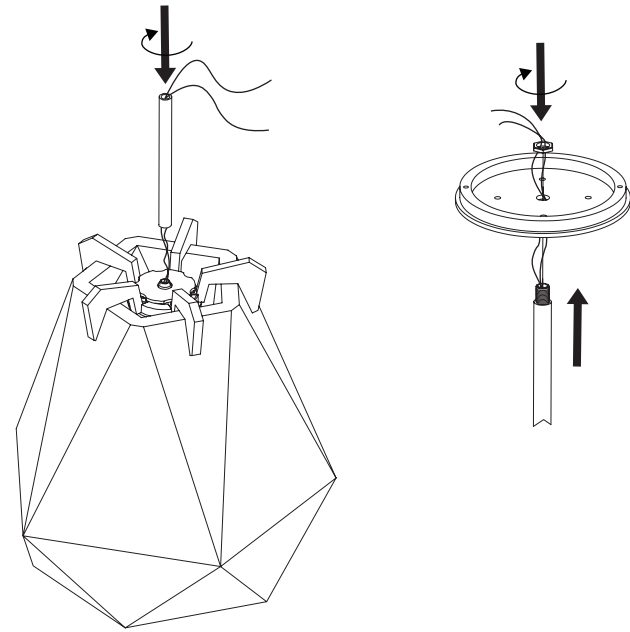
STEP
4

Push the spider legs inwards so that the holes align with the nipples protruding from the glass and tighten the screws down. Screw the lobed locknut over the entire assembly



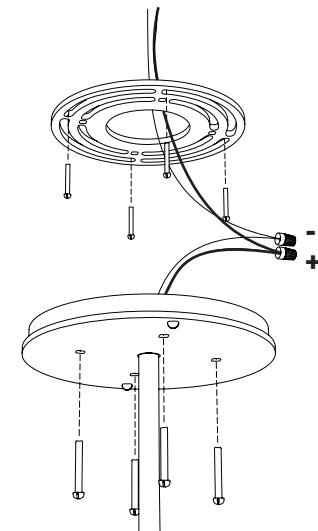
STEP
5

Pass the wires through the stem and thread the stem onto the top of the spider. Slide the canopy on the end of the stem and screw the canopy to the stem using the provided hex nut.



STEP
6

Using wire terminals, connect the LED driver to the fixture (Maximum distance 100'; use 12-18AWG (1.0-2.5mm)). The white wire is Negative (-) and the black wire is Positive (+). Finally install the universal T-bar and then secure the canopy to the T-bar using the screws provided.



twentieth

sales@twentieth.net
323.904.1200
www.twentieth.net