

LUNA  
**A SERIES**

---

**X-SMALL DISC PENDANT**  
INSTALLATION GUIDE

GABRIEL SCOTT

twentieth

sales@twentieth.net  
323.904.1200  
www.twentieth.net

**IMPORTANT: Please contact the Gabriel Scott technical support for assistance regarding malfunctions and damaged parts.**

**+1 (212) 837-2923  
support@gabriel-scott.com**

### **ATTENTION!**

Certified electrician recommended for electrical installation.

Terminal Block not included. Installation may require advice from a qualified person.

Junction box rated for minimum of 50lbs or structural blocking required to support fixture.

For all LED fixtures, use only with class 2 power unit.

The light source contained in this luminaire shall only be replaced by the manufacturer or his service agent or a similar qualified person. Contact manufacturer for service.

### **PROVIDED SUPPLIES**

X-Small Disc Pendant fixture and glass

Universal Crossbar

Canopy

Flat head screws (4)

LED driver; Input: local line voltage, output 12Vdc SELV, 5A, max 60 watt class 2 LED driver

### **REQUIRED TOOLS AND HARDWARE**

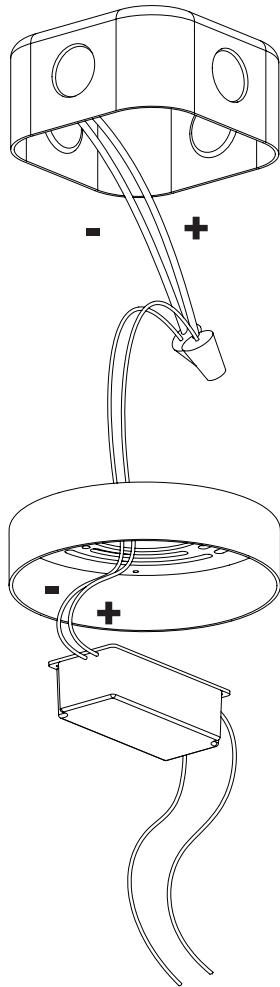
Flat head screwdriver

4x 2-pole wiring terminals, screws or screwless, 12-18AWG (1.0-2.5mm<sup>2</sup>) rated for 600V, 15A / ex: WAGO 222-412

# INSTRUCTIONS

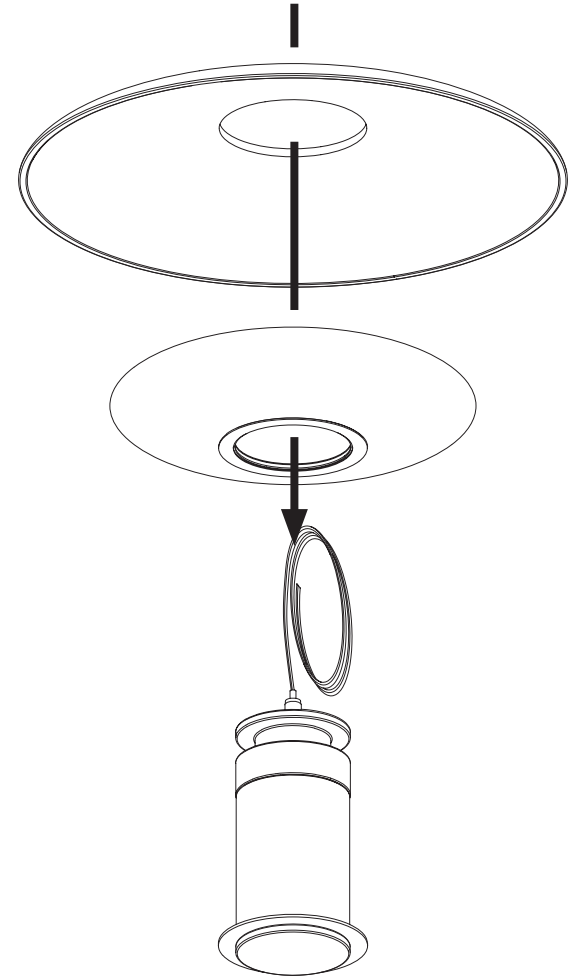
## STEP 1

Wire the LED driver to the main power source. Screw the canopy to the junction box and secure driver inside the canopy.



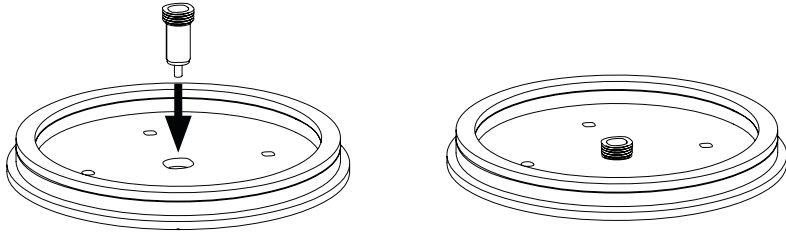
## STEP 2

Slide the glass beads on the glass tube.



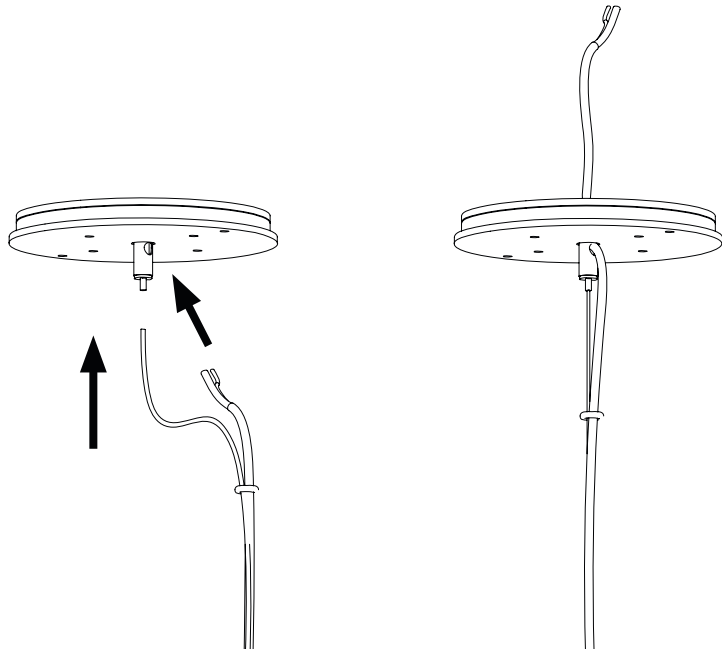
### STEP 3

Insert wireway in the canopy front plate, as shown.



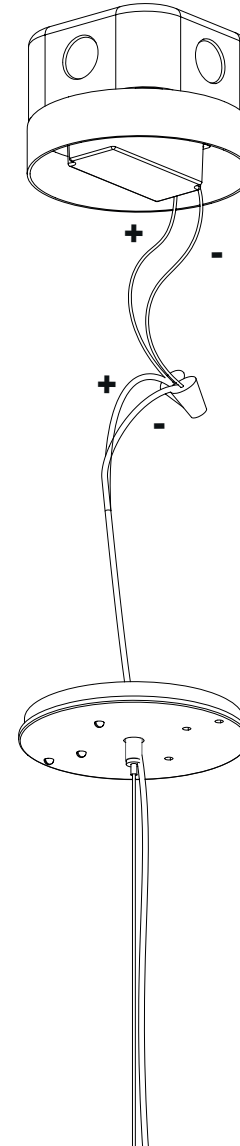
### STEP 4

Insert the aircraft cable in the griplock and the coaxial cable through the wireway. Set the overall drop of the fixture by adjusting the length of the aircraft cable.



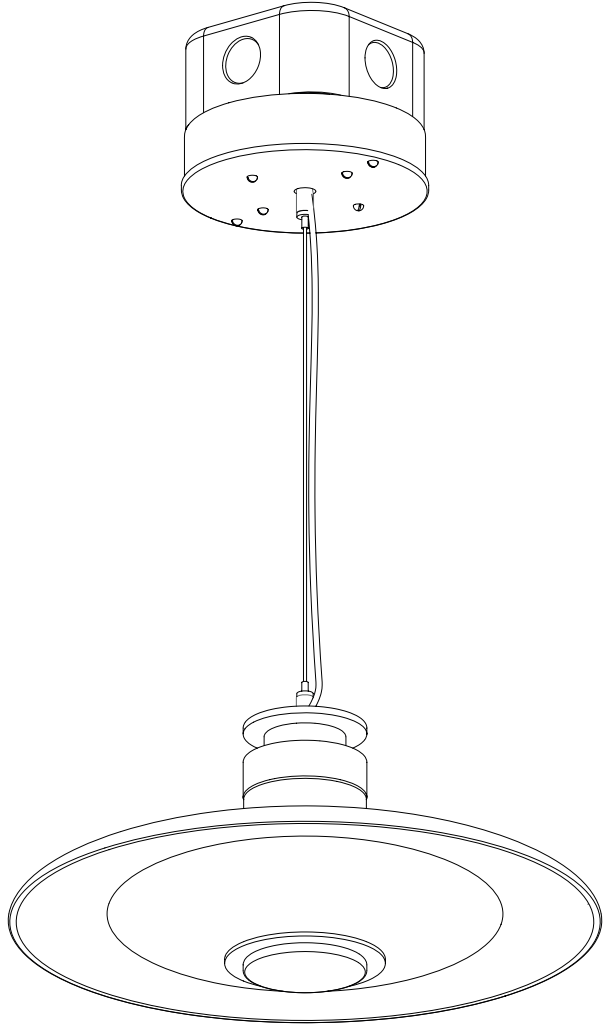
### STEP 5

Using wire terminals, connect the LED driver to the fixture (Maximum distance 100', use 12-18AWG (1.0-2.5mm)). The outer metallic casing of the coaxial cable is Negative (-) and the black wire is Positive (+).



## STEP 6

Screw the fixture onto the installed canopy by using the four flat head screws located on the canopy.



## CARE GUIDE

### METAL

Wipe with a clean water-dampened cloth. Cleaning with any solvents or chemicals is not recommended as it may cause tarnishing.

### GLASS

Use a lint free cloth with a glass cleaner and gently wipe the glass surfaces. Any generic glass cleaner is suitable. It is best to spot test the product in an inconspicuous area before proceeding.