

LUNA
A SERIES

DISC SCONCE
INSTALLATION GUIDE

GABRIEL SCOTT

twentieth

sales@twentieth.net
323.904.1200
www.twentieth.net

IMPORTANT: Please contact the Gabriel Scott technical support for assistance regarding malfunctions and damaged parts.

**+1 (212) 837-2923
support@gabriel-scott.com**

ATTENTION!

Certified electrician recommended for electrical installation.

Terminal Block not included. Installation may require advice from a qualified person.

Junction box rated for minimum of 25lbs or structural blocking required to support fixture.

For all LED fixtures, use only with class 2 power unit.

The light source contained in this luminaire shall only be replaced by the manufacturer or his service agent or a similar qualified person. Contact manufacturer for service.

PROVIDED SUPPLIES

Disc Sconce fixture and glass

Universal Crossbar

LED driver; Input: local line voltage, output 12Vdc SELV, 5A, max 60 watt class 2 LED driver

REQUIRED TOOLS AND HARDWARE

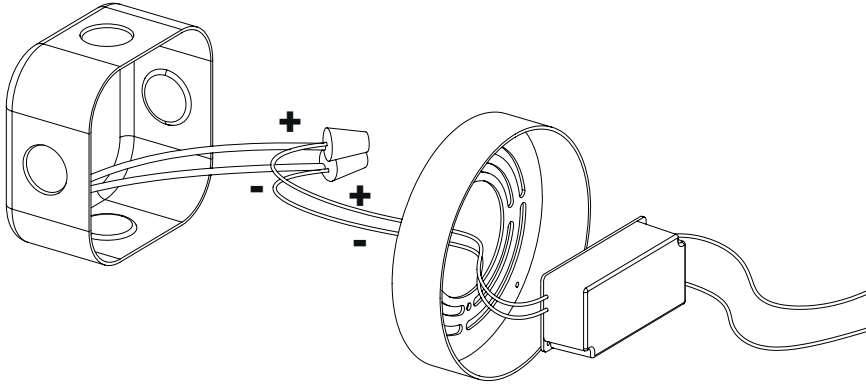
Flat head screwdriver

4x 2-pole wiring terminals, screws or screwless, 12-18AWG (1.0-2.5mm²) rated for 600V, 15A / ex: WAGO 222-412

INSTRUCTIONS

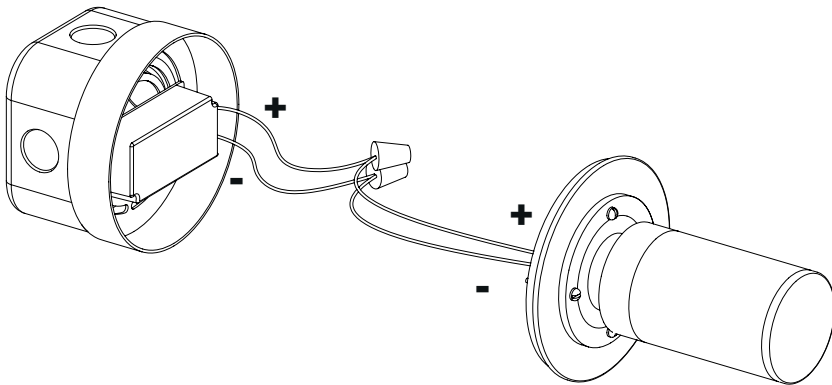
STEP 1

Wire the LED driver to the main power source and screw driver inside the canopy.



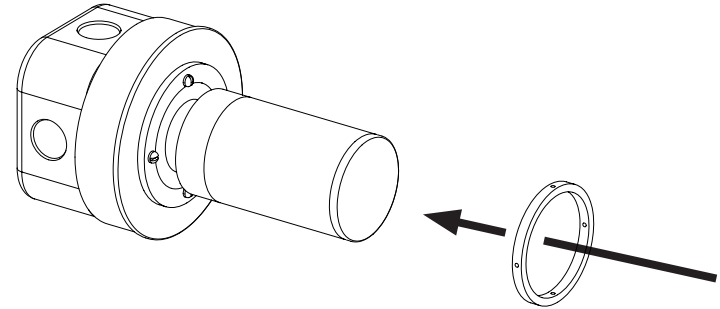
STEP 2

Wire the black wire (+) of the the fixture to the positive lead of the LED driver and the white wire (-) of the fixture to the neutral lead of the LED driver.



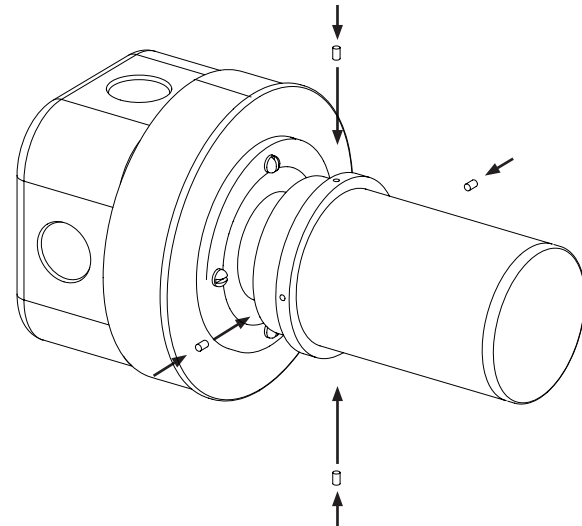
STEP 3

Screw the fixture onto the installed canopy by using the four flat head screws located on the canopy front plate and slide the friction ring over the glass tube and position over the metal ring.



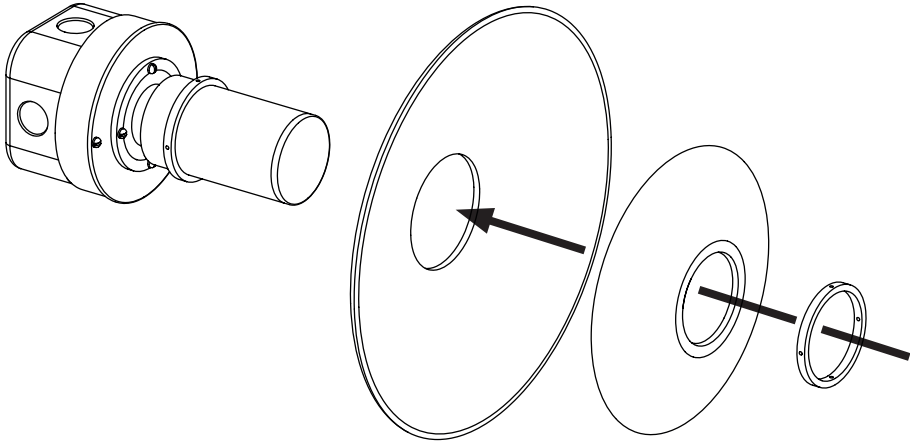
STEP 4

Very lightly tighten the four set screws on the friction ring to secure it on the metal ring.



STEP 5

Gently slide the supplied glass beads over the glass tube up to the previously installed friction ring.

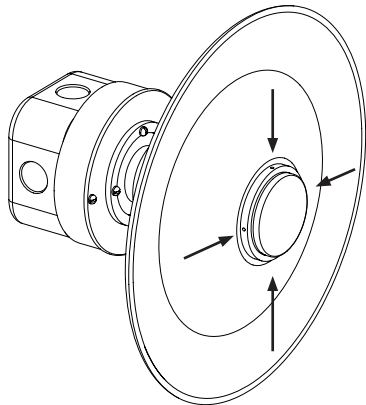


STEP 6

Gently push the remaining supplied friction ring on the glass bead so that they stay in the right position and carefully tighten the four set screws located on the side of the friction ring.

WARNING!

Over tightening the set screws onto the glass tube may crack the glass tube. Use minimal torque.



CARE GUIDE

METAL

Wipe with a clean water-dampened cloth. Cleaning with any solvents or chemicals is not recommended as it may cause tarnishing.

GLASS

Use a lint free cloth with a glass cleaner and gently wipe the glass surfaces. Any generic glass cleaner is suitable. It is best to spot test the product in an inconspicuous area before proceeding.