



GABRIEL SCOTT

EST. 2012



**DEAN**  
**Rectangular**  
**Coffee Table**

in Satin Brass &  
Bronzed Glass

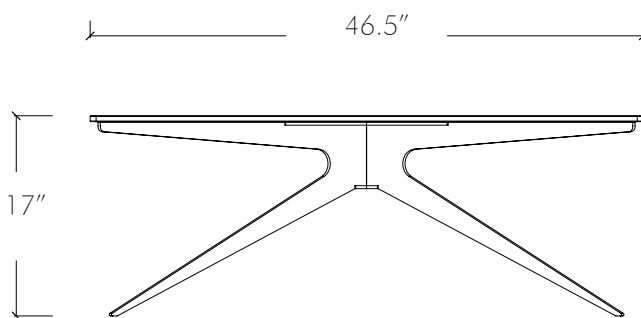
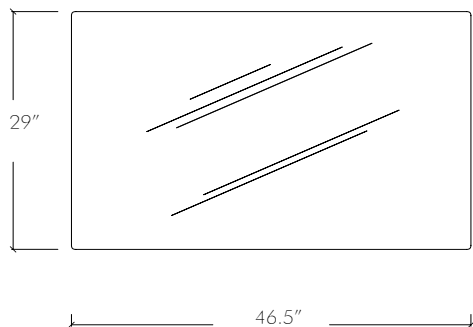
A design with mid-century sensibilities, meet the Dean. The coolness of a minimalist metallic structure softened by the rounded edges of its glass top, the Dean features a versatile silhouette that breathes space into any room.

Showcasing industrial design met with elegant lines, the metallic bases are available in black, nickel, brass or copper finishes, topped with clear, smoked, or bronzed glass tops.

All Gabriel Scott pieces are handmade in Canada.

twentieth

sales@twentieth.net  
323.904.1200  
www.twentieth.net



## SPECIFICATIONS

### Standard Finishes:

Metal: Blackened Steel, Satin Nickel,  
Satin Brass or Satin Copper

Glass: Bronzed Glass, Smoked Glass or Clear Glass,

### Specifications:

Dimensions: 29" x 46.5" x 17" H

74 cm x 118 cm x 43 cm H

Tempered glass top: 0.5" / 1.3 cm

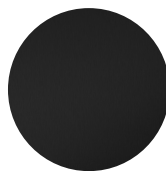
Weight: 66 lbs / 30 kg

Custom finishes available upon inquiry.

Made and assembled in Canada.

## STANDARD FINISHES

### Metal:



Blackened Steel -  
Base/Hardware



Satin Nickel -  
Base/Hardware



Satin Brass -  
Base/Hardware



Satin Copper -  
Base/Hardware

### Glass:



Bronzed Glass



Smoked Glass



Clear Glass

twentieth

sales@twentieth.net  
323.904.1200  
www.twentieth.net