

AlexAllen
Studio

twentieth

www.twentieth.net
sales@twentieth.net
323.904.1200

2x4 Plus Pendant (36")



Fixture in Whitewashed, Brushed Brass Hardware



Canopy in Satin Black

PRODUCT INFORMATION

Year of Design:

2015

Country of Manufacture:

Brooklyn, NY, USA

Materials:

Sustainably Harvested Eastern White Pine,
Steel, Brass, Aluminum, and Acrylic

Certifications:

Dry / Damp Location
UL Listed (US and Canada)
CE Listed (EU)

Warranty:

5 years

Fixture Weight:

7.5 lbs / 3.5 kg

Shipping Size and Weight:

32"L x 32"W x 8" H
81 cm x 81 cm x 20 cm
40 lbs / 18.1 kg

SPECIFICATIONS

LED:

Flexible LED Module (>60,000 Hour Lifespan)
Universal Voltage 120V-277V, 50Hz/60Hz

Dimming Options:

TRIAC/ELV or 0-10V*
*See compatible dimmer guide

Standard Brightness:

2020 Lumens (3000K), 94 CRI, 19W
(IES files available upon request)

High Brightness:

2885 Lumens (3000K), 94 CRI, 26W
(IES files available upon request)

LED Temperatures (K):

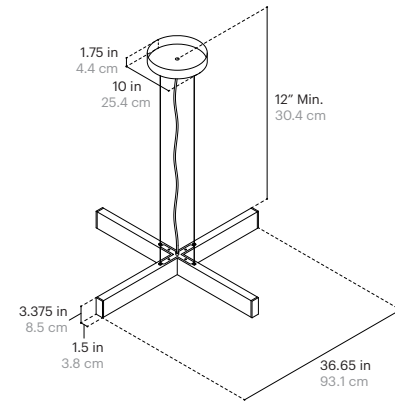
2200, 2500, 2700, 3000, 3500, 4000, 5000

Cord Length:

120" / 304.8 cm, Field Adjustable

Minimum Drop Length:

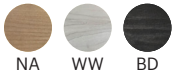
12" / 30.48 cm



FINISH OPTIONS

Wood Finishes:

Natural, Whitewashed, Black Dye



Endcap Finishes:

Blackened Steel, Brushed Steel, Brushed Brass, Satin White



Canopy Colors:

Satin Black, Satin White (Powder Coated)



Cord Colors:

Black, White



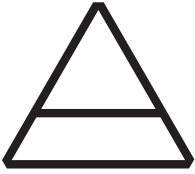
SPECIFICATION CODE

Fixture	Size	LED Temp	Brightness	Dimming
2X4PP	36			UNV
		22 - 2200K	SB - Standard Brightness	
		25 - 2500K	HB - High Brightness	
		27 - 2700K		
		30 - 3000K		
		35 - 3500K		
		40 - 4000K		
		50 - 5000K		

FINISH CODE

Wood	Endcaps	Canopy	Cord
NA - Natural	NO - No Endcaps	SB - Satin Black	BK - Black
WW - Whitewashed	BL - Blackened Steel	SW - Satin White	WH - White
BD - Black Dye	BS - Brushed Steel		
	BB - Brushed Brass		
	SW - Satin White		





AlexAllen
Studio

twentieth

www.twentieth.net
sales@twentieth.net
323.904.1200

2x4 Plus Pendant (48")



Fixture in Black Dye, Blackened Steel Hardware



Canopy in Satin Black

PRODUCT INFORMATION

Year of Design:

2015

Country of Manufacture:

Brooklyn, NY, USA

Materials:

Sustainably Harvested Eastern White Pine,
Steel, Brass, Aluminum, and Acrylic

Certifications:

Dry / Damp Location
UL Listed (US and Canada)
CE Listed (EU)

Warranty:

5 years

Fixture Weight:

10lbs / 4.5kg

Shipping Size and Weight:

42"L x 42"W x 8" H
106 cm x 106 cm x 20 cm
70lbs / 31.7 kg

SPECIFICATIONS

LED:

Flexible LED Module (>60,000 Hour Lifespan)
Universal Voltage 120V-277V, 50Hz/60Hz

Dimming Options:

TRIAC/ELV or 0-10V*
*See compatible dimmer guide

Standard Brightness:

3030 Lumens (3000K), 94 CRI, 28W
(IES files available upon request)

High Brightness:

4328 Lumens (3000K), 94 CRI, 40W
(IES files available upon request)

LED Temperatures (K):

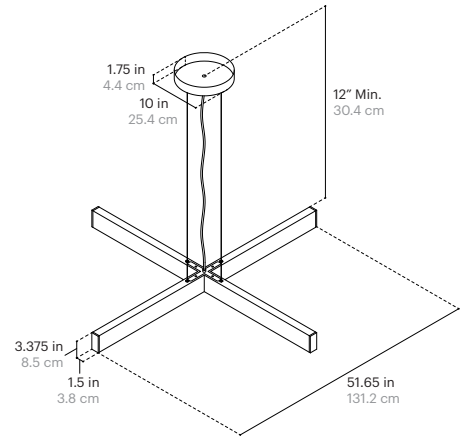
2200, 2500, 2700, 3000, 3500, 4000, 5000

Cord Length:

120" / 304.8 cm, Field Adjustable

Minimum Drop Length:

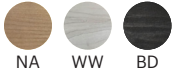
12" / 30.48 cm



FINISH OPTIONS

Wood Finishes:

Natural, Whitewashed, Black Dye



Endcap Finishes:

Blackened Steel, Brushed Steel, Brushed Brass, Satin White



Canopy Colors:

Satin Black, Satin White (Powder Coated)



Cord Colors:

Black, White



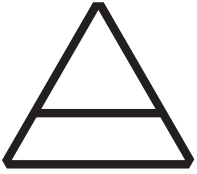
SPECIFICATION CODE

Fixture	Size	LED Temp	Brightness	Dimming
2X4PP	48			UNV
		22 - 2200K	SB - Standard Brightness	
		25 - 2500K	HB - High Brightness	
		27 - 2700K		
		30 - 3000K		
		35 - 3500K		
		40 - 4000K		
		50 - 5000K		

FINISH CODE

Wood	Endcaps	Canopy	Cord
NA - Natural	NO - No Endcaps	SB - Satin Black	BK - Black
WW - Whitewashed	BL - Blackened Steel	SW - Satin White	WH - White
BD - Black Dye	BS - Brushed Steel		
	BB - Brushed Brass		
	SW - Satin White		





AlexAllen
Studio

twentieth

www.twentieth.net
sales@twentieth.net
323.904.1200

2x4 Plus Pendant (60")



Fixture in Natural Wood, Brushed Steel Hardware



Canopy in Satin Black

PRODUCT INFORMATION

Year of Design:

2015

Country of Manufacture:

Brooklyn, NY, USA

Materials:

Sustainably Harvested Eastern White Pine,
Steel, Brass, Aluminum, and Acrylic

Certifications:

Dry / Damp Location
UL Listed (US and Canada)
CE Listed (EU)

Warranty:

5 years

Fixture Weight:

12.5 lbs / 5.5kg

Shipping Size and Weight:

49"L x 49"W x 8" H
124 cm x 124 cm x 20 cm
90 lbs / 40.8 kg

SPECIFICATIONS

LED:

Flexible LED Module (>60,000 Hour Lifespan)
Universal Voltage 120V-277V, 50Hz/60Hz

Dimming Options:

TRIAC/ELV or 0-10V*
*See compatible dimmer guide

Standard Brightness:

3705 Lumens (3000K), 94 CRI, 35W
(IES files available upon request)

High Brightness:

5288 Lumens (3000K), 94 CRI, 48W
(IES files available upon request)

LED Temperatures (K):

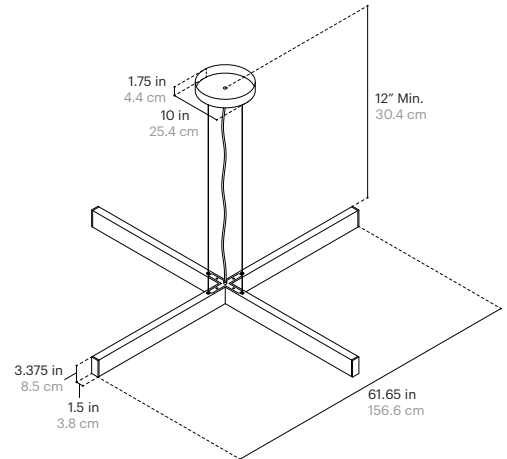
2200, 2500, 2700, 3000, 3500, 4000, 5000

Cord Length:

120" / 304.8 cm, Field Adjustable

Minimum Drop Length:

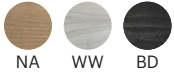
12" / 30.48 cm



FINISH OPTIONS

Wood Finishes:

Natural, Whitewashed, Black Dye



Endcap Finishes:

Blackened Steel, Brushed Steel, Brushed Brass, Satin White



Canopy Colors:

Satin Black, Satin White (Powder Coated)



Cord Colors:

Black, White



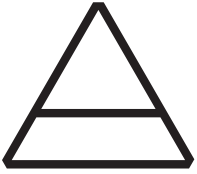
SPECIFICATION CODE

Fixture	Size	LED Temp	Brightness	Dimming
2X4PP	60			UNV
		22 - 2200K	SB - Standard Brightness	
		25 - 2500K	HB - High Brightness	
		27 - 2700K		
		30 - 3000K		
		35 - 3500K		
		40 - 4000K		
		50 - 5000K		

FINISH CODE

Wood	Endcaps	Canopy	Cord
NA - Natural	NO - No Endcaps	SB - Satin Black	BK - Black
WW - Whitewashed	BL - Blackened Steel	SW - Satin White	WH - White
BD - Black Dye	BS - Brushed Steel		
	BB - Brushed Brass		
	SW - Satin White		





AlexAllen
Studio

twentieth

www.twentieth.net
sales@twentieth.net
323.904.1200

DIMMER COMPATABILITY (L.T.F Dimmable LED Drivers)

LUTRON:

CASETA WIRELESS PD-6WCL
DIVA CL DVCL-153P-WH
DIVA ELV DVELV-303P
DIVA 0-10V DVSTV
DIVA 0-10V DVTV
HOME WORKS HQRD-6A
HOME WORKS HQRD-6NA
MRF2-6ELV-120-WH
MAESTRO MRF2-6ELV-120-WH
MAESTRO RF RRA-6D
MAESTRO RF RRA-6NA
MAESTRO RF RRA-6ND
MAESTRO MAELV-600
MAESTRO MSCELV-600M
MAESTRO CL MAELV-153MH
MAESTRO IR MIRELV-600
MAESTRO WIRELESS MRF2-6ELV-120
NOVA T NTELV-600-WH
NOVA NVELV-600-WH
NOVA T NTELV-300
SKYLARK SELV-600-WH
SKYLARK CONTOUR CTELV-303P
VIERTI VTELV-600-XXX

CRESTRON:

CLW-DIMSWEX-P
P-DIMEX
GLX-DIM6
GLXX-2DIM8
CLW-DELVEX-E
CLW-DELVEX-P
CLX-2DIMFLV8
DIN-4DIMFLV4
CLS-EXP-DIMFLV
GLX-DIMFLV8
SELV-300P
CLS-C6
CLS-C6M
CLS-C6EX
CLS-C6MEX
CLS-C6MRF
CLS-C6RF
CLS-EXP-DIM
CLS-EXP-DIMU
CLX-1DIM4
CLX-1DIM8
CLX-2DIM2
CLX-2DIM8

(CONTINUED)

CLX-1DELV4
DIN-1DIM4
DIN-1DIMU4
CLW-DIMEX-E
CLW-DIMEX-P
CLW-DIMSWEX-E

LEVITON:

6615
6672
6674/IPL06
IPE04
IPI06
VP106
VPE04
VPM06
VRE04
VRM10
IP710
DS710
DD710

FEIT

BPMIMSMART/2

