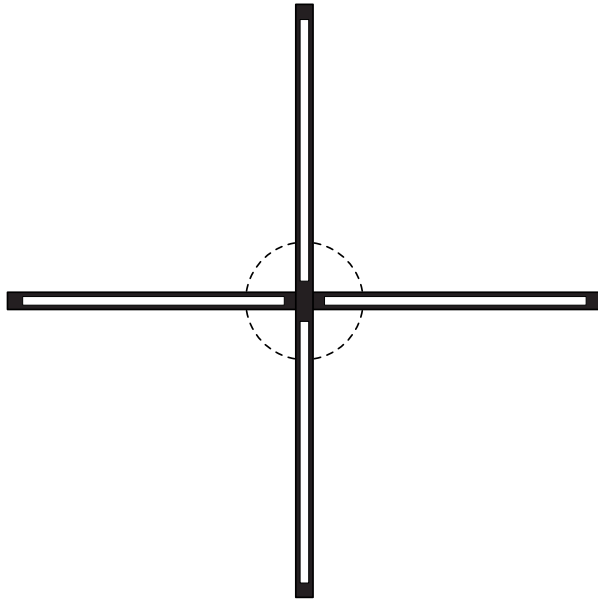


**AlexAllen**  
Studio

## 2x4 Plus Collection

Installation and Product Guide  
(Small, medium, large, and custom)



**CAUTION:** Electric shock risk. Turn off electrical power at breaker before beginning installation. We recommend this product be installed by a qualified electrician only.

### Installation Instructions

**(1)** Attach **ceiling plate** to ceiling **junction box** with junction box screws.

**(2)** Slide **piece 02 (x4)** along the length of the suspension **cables** towards the end stopper and thread it into the **insert**, locking the end stopper in place.

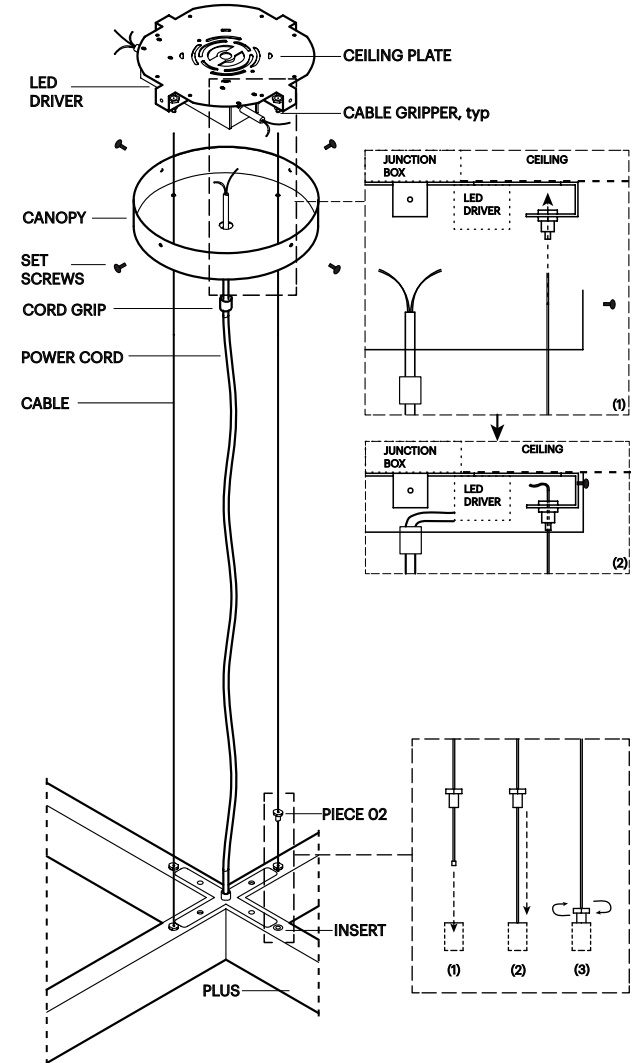
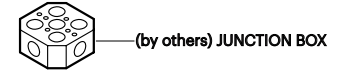
**(3)** feed the ends of the suspension **cables** into the holes in the **canopy** and into the **cable grippers**. Pull cables to the desired length and ensure the light is level. Trim the ends of the cables with approved cable cutters.

**(5)** Feed the end of the **power cord** into the large hole in **canopy** and trim, leaving some extra length.

**(6)** Connect electrical wire ends to **led driver** output (red, black). Connect **led driver** input to cable ends in **junction box**. Connect green ground wire to grounding screw. (120V INPUT 60Hz ONLY!)

**(6)** Slide the **canopy** to the top of the suspension cables and secure it to the ceiling plate with **set screws (x4)**

**(7)** Position **cord grip** onto **power cord** at the desired length and close. Push **cord grip** into the **canopy**.



twentieth

sales@twentieth.net  
323.904.1200  
www.twentieth.net



## Dimmer Compatability

### Lutron

DVCL-152P-WH  
DVELV-303P  
HQRD-6A  
HQRD-6NA  
MRF2-6ELV-120-WH  
NTELV-600-WH  
NVELV-600-WH  
SELV-600-WH  
MRF2-6ELV-120-WH  
VTELV-600 XXX  
NTELV-300  
MAELV-600  
MSCELV-600M  
MIRELV-600  
MRF2-6ELV-120

### Leviton

Model 6615  
Model 6672  
Model 6674/IPL06  
Model IPE04  
Model IPI06  
Model VP106  
Model VPE04  
Model VPM06  
Model VRE04  
Model VRM10

### Skylark

CTELV-303P  
SELV-300P

### Crestron

CLS-C6  
CLS-C6M  
CLS-C6EX  
CLS-C6MEX  
CLS-C6MRF  
CLS-C6RF  
CLS-EXP-DIM  
CLS-EXP-DIMU  
CLX-1DIM4  
CLX-1DIM8  
CLX-2DIM2  
CLX-2DIM8  
CLX-1DELV4  
DIN-1DIM4  
DIN-1DIMU4  
  
CLW-DIMEX-E  
CLW-DIMEX-P  
CLW-DIMSWEX-E  
CLW-DIMSWEX-P  
P-DIMEX  
GLX-DIM6  
GLXX-2DIM8  
CLW-DELVEX-E  
CLW-DELVEX-P